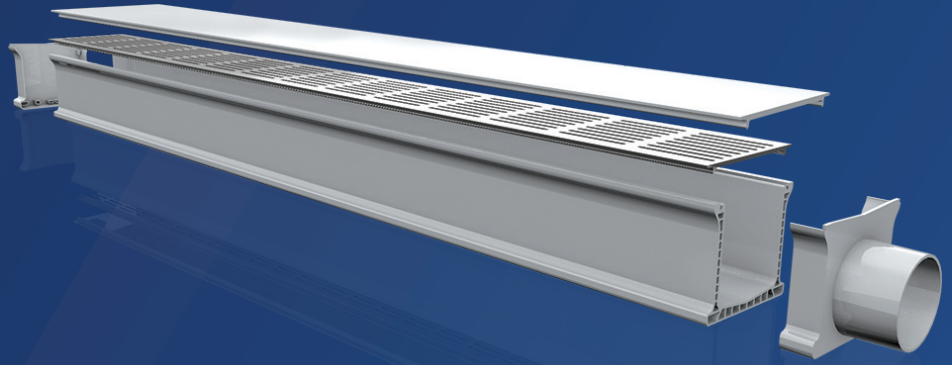




ULTRA
CORPORATION PTY. LTD.

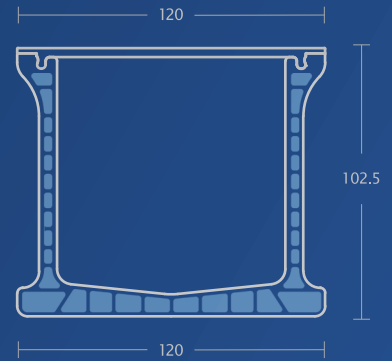


ULTRA DRAIN PLUS 100

Horizontal Top Standard / Honeycomb on request

The UDP100 is equally suitable for driveways, wineries, tennis courts, pool and landscaping projects but with a water flow of 825 l/m means it can be used where removal of more water is necessary.

The Ultra Drain Alloy grating is extruded in 6063A Aluminium which provides a high tensile top with very consistent extruding qualities. This is then marine anodised to give a very highly corrosive resistant product.



Water Flow 825 L/M
Open End Discharge 0.5 Fall to Cesspit

Parts & Fittings



- 1 End Outlet
- 2 Bottom Outlet
- 3 Right Angle Corner
- 4 End Cap
- 5 Joiner
- 6 Side Outlet
- 7 Construction Cover

WIDTH			HEIGHT	PIPE SIZES	
I.D.	O.D.	OVERALL O.D.		PARTS	O.D.
89mm	120mm	120mm	102.5mm	End & Side Outlet	68mm
				Bottom Outlet	68mm

