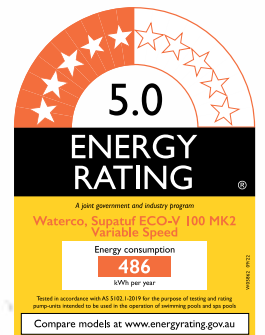


# SUPATUF MK2 **ECO-V 100** **PUMP**

## Energy Saving Variable 3 Speed Pump

Equipped with an energy saving variable speed motor, Supatuf MK2 ECO-V 100 is capable of lowering its energy usage & reducing its operating noise levels.

- Energy Rating of 5 Stars
- Innovative permanent magnet brushless DC motor
- Ultra quiet operation



## Energy Saving

Conventional pool pumps are limited to one set speed. A pool pump is usually sized to cater for the pool's maximum water flow requirements, which may either be the sand filter's backwash water flow or to provide sufficient water flow to operate a suction cleaner.



As the speed of a conventional pump cannot be changed, the same maximum water flow is applied across the pool's various requirements.

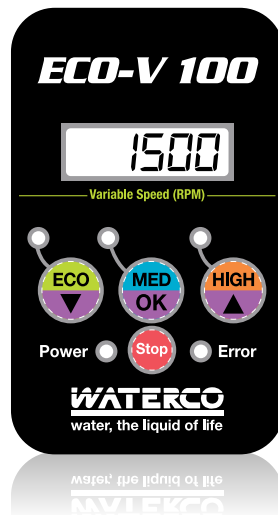
Equipped with the very latest 3 speed permanent magnet brushless DC motor, Supatuf MK2 ECO-V 100 is capable of lowering its motor speed, reducing water flow and lowering its energy consumption.

## SLASH ENERGY USE BY UP TO 70%.

## Variable Speed Options

Supatuf MK2 ECO-V 100's variable speed options cater for most pool functions.

- **High speed** - Vacuuming and backwash - 1% of the time
- **Medium speed** - Automatic pool cleaners
- **Low speed** - Filtration - 99% of the time



As a pool's filtration cycle occupies 99% of the run time of a pool pump, you can operate the Supatuf MK2 ECO-V 100 on its low speed setting for a majority of its running time, leading to significant energy savings.

## Benefits of Slow Flow

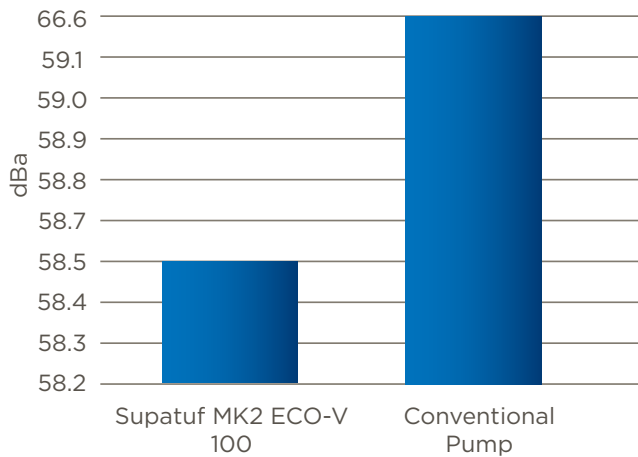
Lowering a pump's flow rate not only significantly decreases the pump's energy requirements, but also reduces water flow resistance in your pool equipment and plumbing. Even though you may need to operate the Supatuf MK2 ECO-V 100 longer, it is far more efficient pumping low water flow compared to high water flow.

A slow flow rate also has the added benefit of improving your pool's filtration efficiency, enhancing the clarity of your swimming pool water. Plus your automatic chemical dosers and salt chlorinators are also more effective when the pool water is circulated longer.



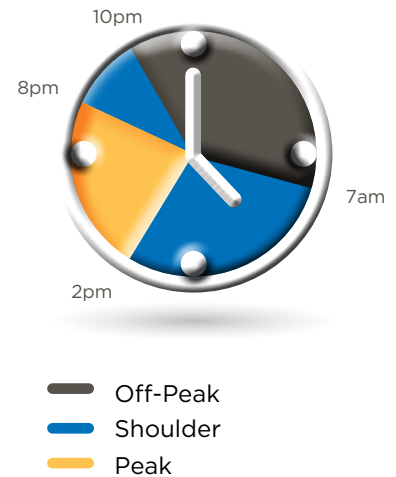
## Ultra Quiet

Supatuf MK2 ECO-V 100 operates most economically and with the lowest noise level at its low speed setting. Its low speed setting significantly reduces the pump's vibration, motor noise and water turbulence to an ultra low 66.5 decibels (dBA).



## Off-Peak Operation

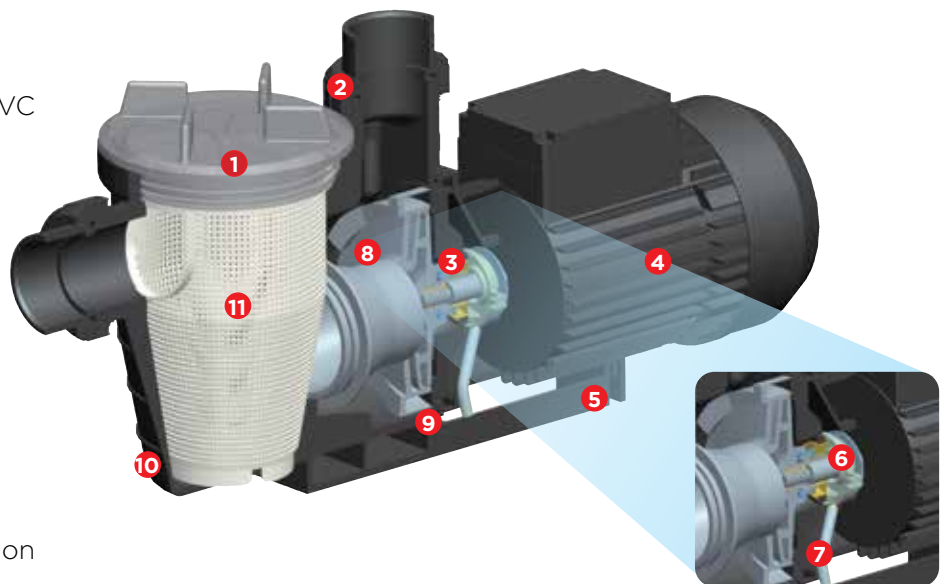
Its low noise levels enable it to be operated at times that are not allowable for conventional pool pumps. A Supatuf MK2 ECO-V 100 allows you to take advantage of off-peak electrical tariff periods, without upsetting your neighbours.



# SAVE HUNDREDS OF DOLLARS OFF YOUR ENERGY BILLS.

## Key Features

1. Clear basket lid.
2. Quick connect barrel unions for UPVC pipe.
3. High grade carbon/graphite mechanical seal with 316 stainless steel spring assembly.
4. High performance motor:
  - IP44 rating
  - Motor shaft 303 grade stainless steel.
  - Fan cooled.
  - Thermal overload protection
5. Stable support base.
6. Secondary Seal - For extra protection of the pump motor.
7. Secondary seal drain pipe.
8. Hydraulically efficient impeller and diffuser design.
9. Drain plugs.
10. Strong single piece glass filled thermoplastic pump body.
11. Strainer basket - capture debris and protects the pumps impeller.



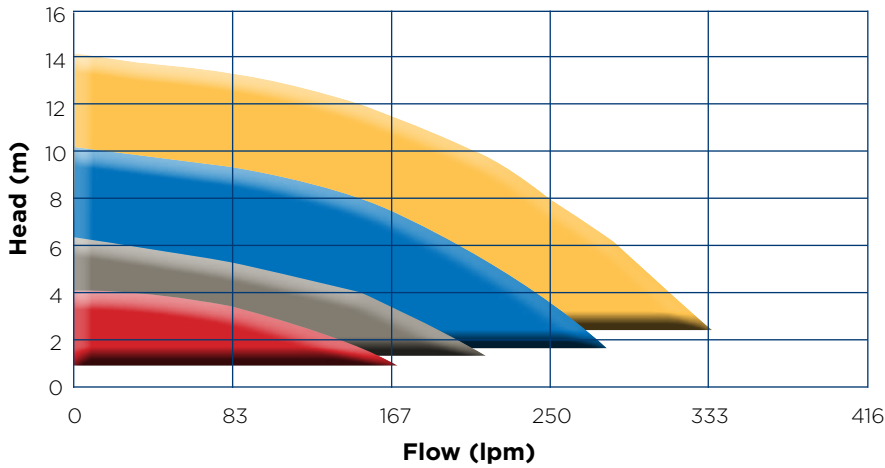
### Secondary Seal

Situated between the pump wet end & the pump motor, a mechanical seal forms a seal around the motor shaft to prevent water from running out along the shaft of a motor. The mechanical seal is the wearing part of any pool pump.

A mechanical seal may leak water if the pump is ever run dry or simply be worn out. If a leaky mechanical seal is not replaced promptly, water will travel up the shaft of the motor and ruin the motor in a very short period of time.

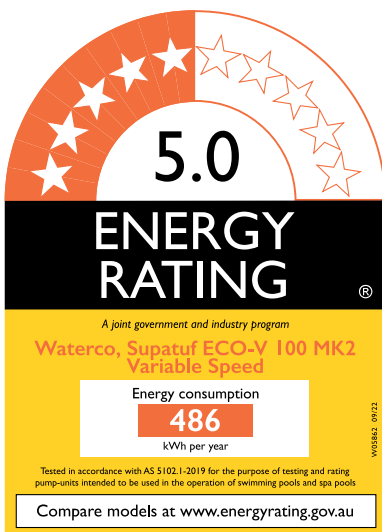
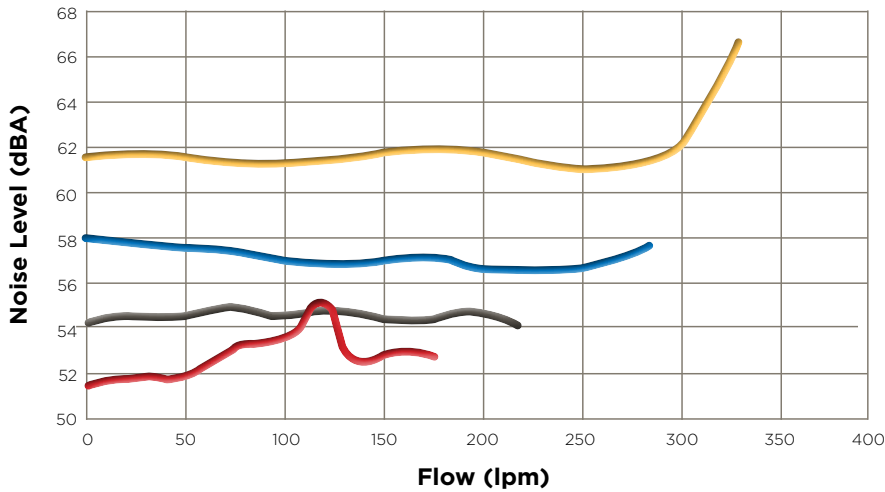
Waterco's Secondary Seal protects the pump motor's end shield from any water contact, by capturing any leaks through a worn out mechanical seal and draining it out of the pump.

## Supatuf MK2 ECO-V 100 Performance Curves



- ECO-V speed (1500rpm)
- ECO speed (1900rpm)
- Medium speed (2410rpm)
- High speed (2850rpm)

## Supatuf MK2 ECO-V 100 Noise Levels



## Warranty

Pumps	3 years (conditional)*
Wet End	3 years
Motor, mechanical seal, hair & lint pot lid, o'ring, basket, impeller & diffuser	2 years
Commercial applications	1 year
Labour	1 year

\*Please refer to Waterco's warranty terms and conditions



## Specifications

Length (mm)	Height (mm)	Width (mm)	Packaged Weight (kg)	Inlet/Outlet (mm)	Strainer Basket (mm)
635	310	179	12	50/40	1.5

### ECO-V Speed (1500rpm)

Pump Total Head (m)	Flow Rate (lpm)	Motor Input (kW)	Amps	Noise Level (dBA)
1.7	157	0.16	1.1	52.5
2.2	139	0.16	1.1	51.0
2.7	121	0.16	1.1	53.5

### Medium Speed (2410rpm)

Pump Total Head (m)	Flow Rate (lpm)	Motor Input (kW)	Amps	Noise Level (dBA)
5.0	237	0.51	2.6	56.5
6.4	207	0.51	3.6	56.3
8.3	149	0.47	3.3	57.0

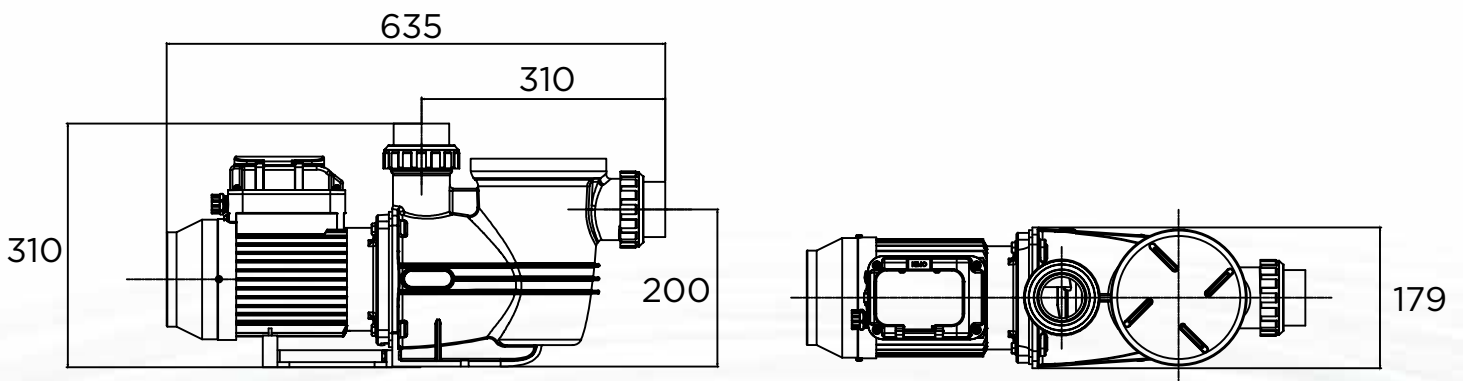
### Low Speed (1900rpm)

Pump Total Head (m)	Flow Rate (lpm)	Motor Input (kW)	Amps	Noise Level (dBA)
2.4	202	0.29	2.1	54.5
3.3	181	0.29	2.1	54.2
4.7	137	0.28	2.0	54.5

### High Speed (2850rpm)

Pump Total Head (m)	Flow Rate (lpm)	Motor Input (kW)	Amps	Noise Level (dBA)
7	283	0.84	5.8	61.7
10.5	213	0.80	5.6	61.5
12.7	141	0.71	5.0	61.8

## Dimensions (mm)



## Company Profile

Waterco pioneers reliable solutions for healthy, safe water environments, which are used in residential, commercial and industrial applications in over 40 countries.

Established in 1981 in Sydney, Australia, it has since become a global brand recognised for designing and manufacturing filtration and sanitisation innovations for the swimming pool, spa, aquaculture, and water purification sectors.



### OFFICES - AUSTRALIA

NSW - Sydney (Head Office)  
Tel: +61 2 9898 8600

QLD - Brisbane  
Tel: +61 7 3299 9900

VIC/TAS - Melbourne  
Tel: +61 3 9764 1211

WA - Perth  
Tel: +61 8 9273 1900

SA/NT - Adelaide  
Tel: +61 8 8244 6000

ACT Distribution  
Tel: +61 2 6280 6476

### OFFICES - OVERSEAS

Waterco (Europe) Limited  
Sittingbourne, Kent, UK  
Tel: +44 (0) 1795 521 733

Waterco (USA) Inc  
Augusta, Georgia, USA  
Tel: +1 706 793 7291

Waterco Canada  
Boucherville, Quebec, Canada  
Tel: +1 450 748 1421

Waterco (NZ) Limited  
Auckland, New Zealand  
Tel: +64 9 525 7570

Waterco (C) Limited  
Guangzhou, China  
Tel: +86 20 3222 2180

Waterco (Far East) Sdn Bhd  
Selangor, Malaysia  
Tel: +60 3 6145 6000

PT Waterco Indonesia  
Jakarta, Indonesia  
Tel: +62 21 4585 1481

Waterco Singapore Intl Pte Ltd  
MAPEX Building, Singapore  
Tel: +65 6344 2378

Waterco Vietnam Company  
Limited  
Ho Chi Minh City, Vietnam.  
Tel: +84 28 3622 7780

DISTRIBUTED BY:

**WATERCO**  
water, the liquid of life

