



**APPLICATION**

Multi-fixture adjustable bypass fresh water installations. Other uses may include pressurized water systems in cabins and general water transfer. Benefits include a heavy-duty, thermally protected, CE compliant sealed motor, adjustable bypass and a self-priming 4-chamber design. This pump has a unique co-molded diaphragm and can run dry without damage.

**PUMP DESIGN**

**Type:** 4 Chamber Diaphragm pump  
**Ports:** ½"-14 NPSM-Male  
**Liquid:** 130°F [54°C] Max  
**Dry-Prime:** 6 feet [1.82 M]  
**Run Dry:** Yes  
**Inlet Pressure:** 30 PSI Max. [2.06 Bar]

**ELECTRICAL**

**Motor:** 24V DC Permanent Magnet, Intermittent Duty  
**Protection:** Thermal Overload, Automatic Restart  
**Leads:** 14 AWG, 14 ¾" [37 cm] Red +, Black -  
**Fuse:** 7.5 Amp Recommended  
**Control:** Shut-Off: 55 PSI [3.8 Bar] ± 2 PSI [0.13 Bar]  
 Re-start: 40 PSI [2.8 Bar] ± 2 PSI [0.13 Bar]  
 By-Pass: 65 PSI [4.5 Bar] ± 2 PSI [0.13 Bar]

**MATERIALS OF CONSTRUCTION**

**Housings:** Polypropylene  
**Valves/Seals:** EPDM  
**Diaphragm:** Santoprene/Polypropylene, Co-Molded  
**Hardware:** Stainless Steel and Zinc Plated Steel

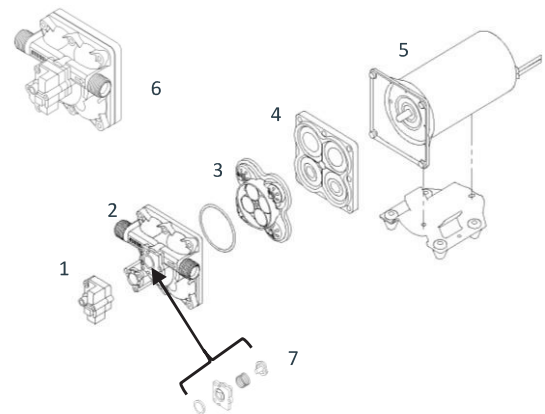
**AGENCY APPROVALS**

Ignition Protection 8846, CE

**SHIPPING INFORMATION**

**Net Weight:** 7.9 Pounds [3.5 Kg] ea.  
**Carton Qty.:** 6  
**Carton Weight:** 50 Lbs. [22.6 Kg]  
**Carton Size:** 24"L X 18"W X 6"H [61cm x 46cm x 15cm]

**REPAIR KITS**



Number	Description	Part Number
1	Pressure Switch	N/A
1,2	Upper Assembly	94-801-10
3	Valve Assembly	94-800-01
4	Drive Assembly	94-801-02
5	Motor/Gasket	94-71-001-04
6 (1,2,3,4,7)	Pump Head	94-801-11
7	Check Valve	94-800-03