

# Skimmer Boxes

**Suitable for domestic, semi commercial  
and commercial swimming pools**



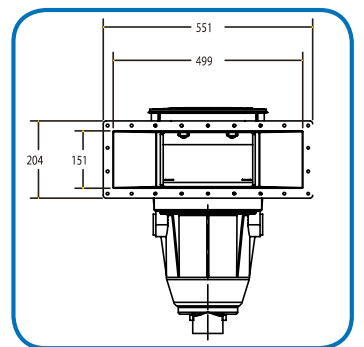
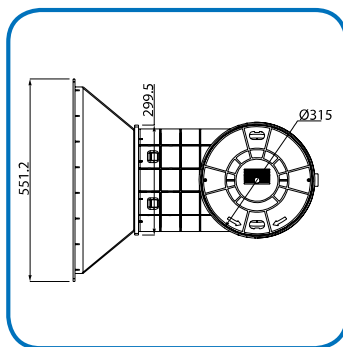
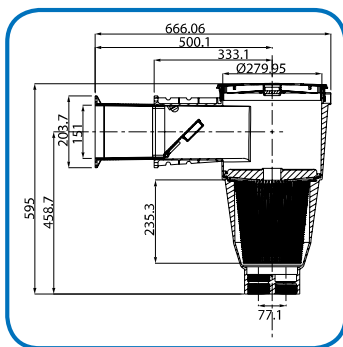
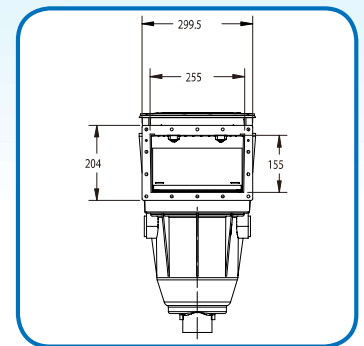
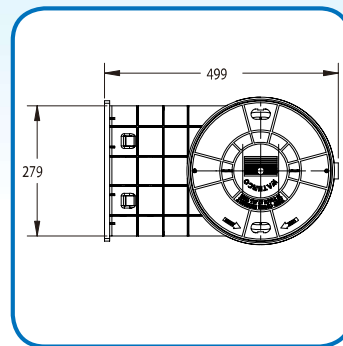
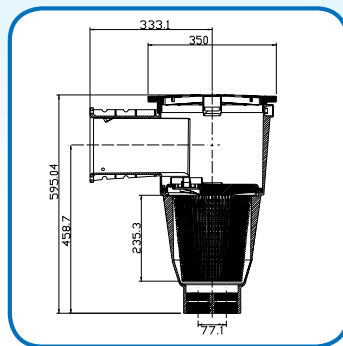
**Waterco Skimmer Boxes are manufactured  
using the highest quality, impact resistant  
thermoplastic (ABS plastic).**

## SupaSkimmer

The SupaSkimmer is a large capacity skimmer box which is ideal for use in large domestic, semi commercial and commercial swimming pools. Because of its large capacity 5.9 litre debris collection it is also ideal for any swimming pool that is constructed in leafy environments.

### Features include:

- Lock down leaf basket and vacuum plate - holds the leaf basket and vacuum plate firm
- Large capacity basket – 5.9 litres, over double the size of conventional skimmers
- 2 x 50mm bottom suction ports – less water flow restrictions
- 2 x 40mm side ports – ideal for wall mount cleaners
- New child resistant safety lid – prevents child accidents
- Deeper body style – less chance of running pumping equipment dry
- Built in overflow drain port to assist the prevention of flooding, during heavy rain



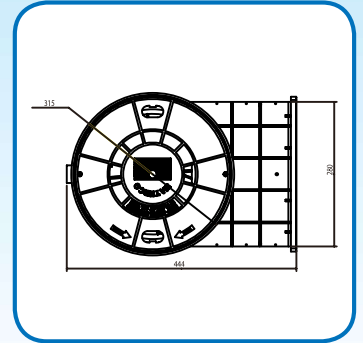
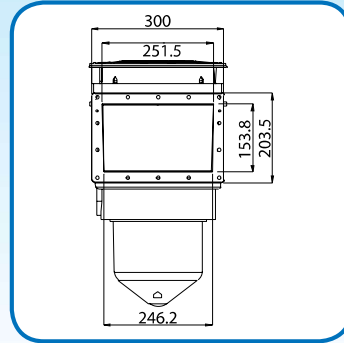
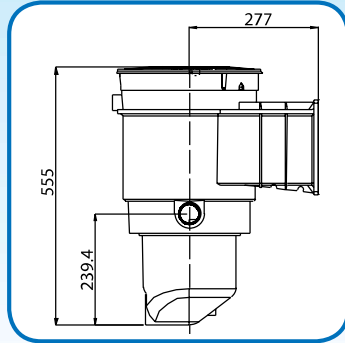
Model	Maximum Surface Area	Suction Port (mm)	Opening (mm)	Basket Capacity (litres)	Total Height (mm)	Total Depth (mm)	Unit Weight (kg)
Supaskimmer	75 m <sup>2</sup>	2x50	247x152	5.9	580	500	7
Supaskimmer Widemouth	75 m <sup>2</sup>	2x50	551x152	5.9	580	500	10

### S75 Skimmer Box

The S75 skimmer is a general purpose skimmer which can be used in concrete, fibreglass and above ground pool installations. It has a built in overflow drain port to assist the prevention of flooding, during heavy rain. A horizontal 50mm suction take-off reduces the suction lift demands on the pump, saving energy.

#### Features include:

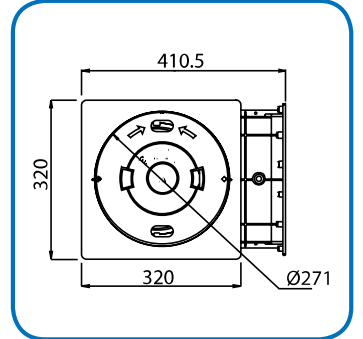
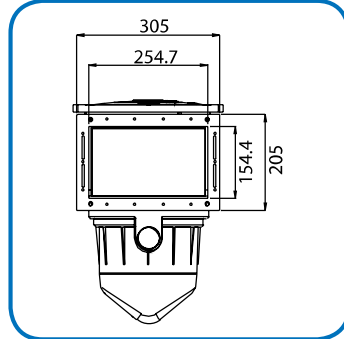
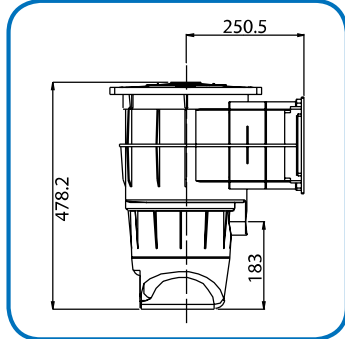
- Lock down leaf basket and vacuum plate - holds the leaf basket and vacuum plate firm
- Child safety lid lock down system – prevents child accidents
- Square and round deck lid configuration



Model	Maximum Surface Area	Suction Port (mm)	Opening (mm)	Basket Capacity (litres)	Total Height (mm)	Total Depth (mm)	Unit Weight (kg)
S75	75 m <sup>2</sup>	50	247x152	2.4	520	440	6

### SP5000 Skimmer Box

The SP 5000 skimmer is a general purpose skimmer which can be used in concrete, fibreglass and above ground pool installations. The SP5000 is sized to minimise excavation and reduce concrete and steel requirements, whilst maintaining an optimum skimming action. A horizontal 50mm suction take-off reduces the suction lift demands on the pump, saving energy.



Model	Maximum Surface Area	Suction Port (mm)	Opening (mm)	Basket Capacity (litres)	Total Height (mm)	Total Depth (mm)	Unit Weight (kg)
SP5000	75 m <sup>2</sup>	50mm	255x155	2.6	478.2	385	5



#### Skimmer Box Extension Ring

If the skimmer is to be installed so that the deck lid will not be secured to the skimmer body, Waterco recommends using a skimmer Extension Ring (624105) for trouble free installation. The Extension Ring sits snugly in between the skimmer body and the Deck Ring and is strong enough to hold its shape during concreting. Using the Extension Ring will prevent misalignment of the Deck Ring and the skimmer body. This will eliminate problems caused by concrete intruding into the skimmer box cavity. The Extension Ring will ensure there are no problems inserting/removing vacuum plates or other similar devices. An individual Extension Ring offers an extension of 60mm and can be piggybacked to give further extension of any multiples if required. (eg 120mm , 180mm etc).



Established since 1981, Waterco is an Australian public listed company involved in the manufacture and distribution of:

- Swimming pool/spa equipment and chemicals
- Domestic water filters, softeners and purifiers
- Commercial and Industrial water treatment equipment.

Waterco's research & development team has created an innovative range of award winning products.

The company's advanced fibreglass winding and pioneering plastic moulding techniques have delivered premium quality products to over 40 countries via its branches operating in Australia, New Zealand, Malaysia, China, the United Kingdom, United States of America, Canada, Indonesia and Singapore.



**OFFICES - AUSTRALIA**

NSW - Sydney (Head Office)  
Tel: +61 2 9898 8600  
QLD - Brisbane  
Tel: +61 7 3299 9900  
VIC/TAS - Melbourne  
Tel: +61 3 9764 1211  
WA - Perth  
Tel: +61 8 9273 1900  
SA/NT - Adelaide  
Tel: +61 8 8244 6000  
ACT Distribution  
Tel: +61 2 6280 6476

**OFFICES - OVERSEAS**

Waterco (Europe) Limited  
Sittingbourne, Kent. UK  
Tel: +44 (0) 1795 521 733  
Waterco (USA) Inc  
Augusta, Georgia, USA  
Tel: +1 706 793 7291  
Waterco Canada  
Longueuil, Quebec, Canada  
Tel: +1 450 748 1421  
Waterco (NZ) Limited  
Auckland, New Zealand  
Tel: +64 9 525 7570  
Waterco (C) Limited  
Guangzhou, China  
Tel: +86 20 3222 2180  
Waterco (Far East) Sdn Bhd  
Selangor, Malaysia  
Tel: +60 3 6145 6000  
PT Waterco Indonesia  
Jakarta, Indonesia  
Tel: +62 21 4585 1481  
Waterco Singapore Intl Pte Ltd  
Nehsons Building, Singapore  
Tel: +65 6344 2378

**DISTRIBUTED BY:**



ZZB0323 06/17