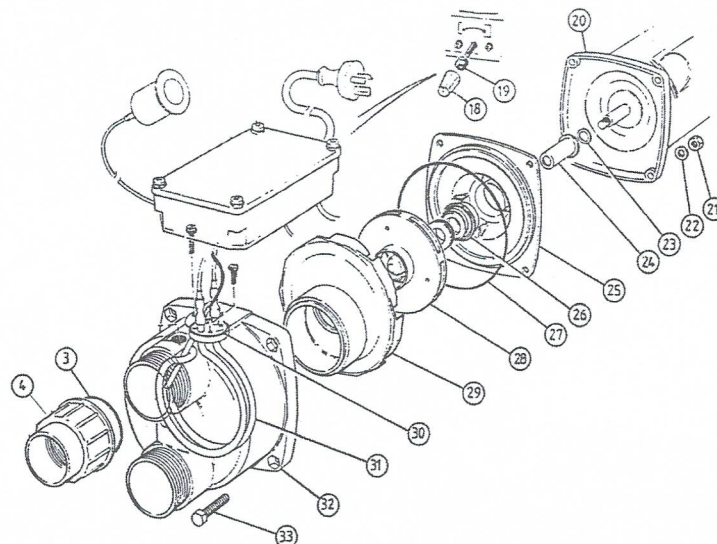


PORTAPAC ELECTRONIC - DEMAND & DEMAND ELITE

(Product Code: 4555100E, 101E, 1001E, 60E, 4555100, 4555101)

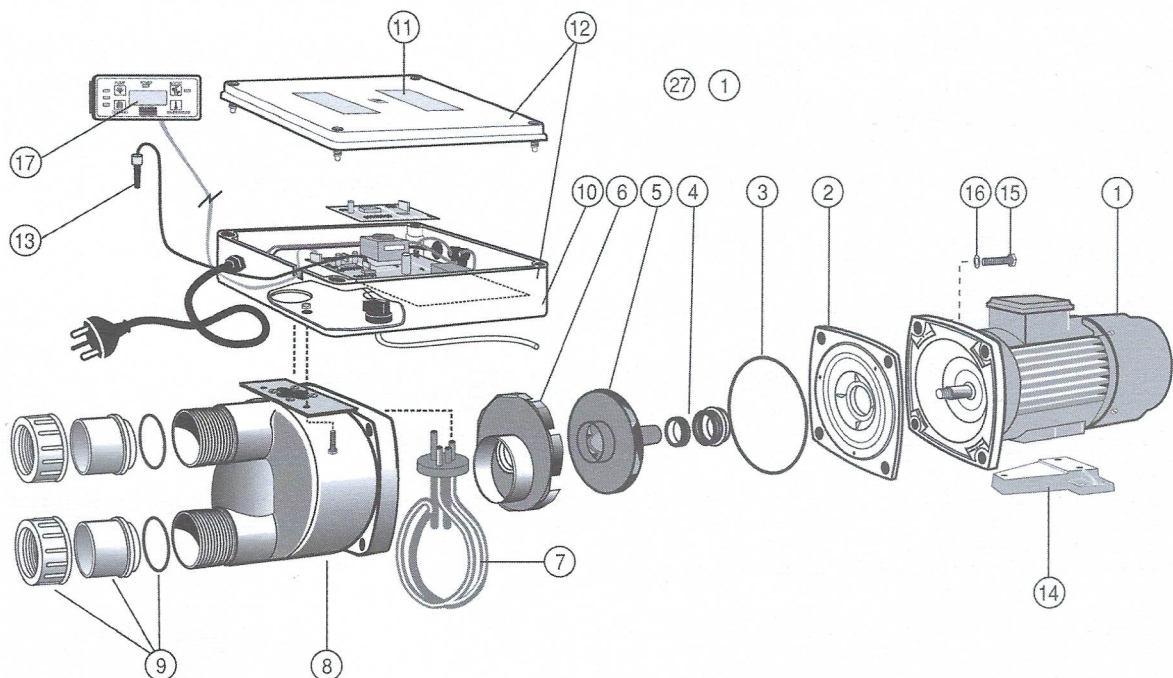
Part Number	Product Description	Diagram Number	List Price	Price Inc GST
S13185A	Half union 50/40mm			
6307245	Motor 1.17kW (4555100E, 101E, 1001E, 60E)	4	32.00	36.80
S0690915	M8 nut (nose)	20	565.00	649.75
S0013815	5/16 x 5/8 washer (nose)	21	0.80	0.92
S122863	Brass shim	22	0.80	0.92
S121671	Flinger	23	2.30	2.65
S132891	Adapter plate	24	5.30	6.10
6340162	Mechanical seal	25	49.00	56.35
S1226911	Pump Body O ring	26	27.00	31.05
S13307E1	Impeller (suit 100E, 1001E, Demand)	27	6.40	7.36
S13308E1	Impeller (suit 101E, 60E, Demand Elite)	28	101.00	116.15
S1295611	Diffuser	28	101.00	116.15
63813899	Profile washer	29	49.00	56.35
S13868A	Element 1.6kw (suits 100E, 1001E, Demand & Demand Elite)	30	34.00	39.10
S13869A	Element 2.4kw (suits 101E, 60E, Demand & Demand Elite)	31	291.00	334.65
S134461	Pump face body	31	302.00	347.30
AXPU158	Pump foot	32	172.00	197.80
634004	M6 X 20mm bolt		19.00	21.85
63813920	Element o ring		4.80	5.52
S0889015	Washer		1.00	1.15
634036	M4 x 16mm screw		0.80	0.92
6381602	Control box assembly complete 15A - with lead & plug(suits 101E, 60E)		0.60	0.69
6381603	Control box assembly complete 10A - with lead & plug(suits 100E)		590.00	678.50
6367237	Pressure switch (suits all)		560.00	644.00
S138631	Control box lid (suits all)		108.00	124.20
S138621	Control box bottom (suits all)		14.00	16.10
63813913	Sequential air switch (suits all)		28.50	32.78
638162	Remote sensor housing assembly (pre 2004)		24.50	28.18
6381620	Remote sensor housing assembly (post 2004)		7.50	8.63
6413002	Sensor suction pipe fitting assembly (no sensor)		7.00	8.05
64130031	Temperature sensor (suits 638162)		48.50	55.78
64130032	Temperature sensor MK2 (suits 6381620)		85.00	97.75
86172	Gulf stream plug for sensor suction pipe		82.00	94.30
455580E	Spa clock assembly		0.50	0.58
638172	O/T sensor MK2		242.00	278.30
S1348011	Union o ring		37.50	43.13
	For Demand & Demand Elite (4555100 & 4555101)	3	2.20	2.53
S1153326	Probe Washer		0.80	0.92
638143	Pocket Capillary (suit Ego)		68.50	78.78
S13852	Thermostat Adj (44.5 -45.5)		272.00	312.80
638142	Thermostat Adj (20 - 45)		272.00	312.80
S13850A	Thermostat Fixed 55 deg		146.00	167.90
S12811	Air Switch Latch		130.00	149.50
S12202	Thermostat Knob		24.50	28.18
634037	Element Screw 25mm x 16mm (Electronic)		0.70	0.81
638141AP	Control Box Assembly Complete		1015.00	1167.25



PORTAPAC ELECTRONIC

(Product Code: 4555130E, 132, 133, 134, 135E, 136, 137E, 138, 139)

Part Number	Product Description	Diagram Number	List Price	Price Inc GST
6307245	Motor 1.17kW	1	565.00	649.75
S132891	Adapter plate	2	49.00	56.35
S1226911	O ring	3	6.40	7.36
6340162	Mechanical seal	4	27.00	31.05
S13308E1	Impeller (suit 133, 135E, 136, 137E, 139)	5	101.00	116.15
S13307E1	Impeller (suit 130E, 132, 134, 138)	5	101.00	116.15
S1295611	Diffuser	6	49.00	56.35
S13869A	Element 2.4kw (suits 133, 135E, 136, 137E, 138)	7	302.00	347.30
S13868A	Element 1.6kw (suits 130E, 132, 134, 139)	7	291.00	334.65
S134461	Pump face body	8	172.00	197.80
S13185A	Half union 50 x 40mm	9	32.00	36.80
S138621	Control box bottom	10	28.50	32.78
S138631	Control box lid	11	14.00	16.10
638141AP	Control box assembly complete (suits 135E, 130E)	12	1020.00	1173.00
6381614	Control box assembly complete (suits 134, 136)	12	1020.00	1173.00
6381615	Control box assembly complete (suits 132, 133)	12	1020.00	1173.00
6381616	Control box assembly complete (suits 138, 139)	12	1020.00	1173.00
64130031	Temperature sensor (suits 638162)	13	85.00	97.75
64130032	Temperature sensor MK2 (suits 6381620)	13	82.00	94.30
AXPU158	Pump foot	14	18.53	21.31
S0013815	5/16 x 5/8 washer	16	0.80	0.92
S0690915	M8 nut	n/s	0.80	0.92
634004	M6 X 20mm bolt	n/s	4.80	5.52
S122863	Brass shim	n/s	2.30	2.65
63813899	Profile washer	n/s	34.00	39.10
63813920	Element o ring	n/s	1.00	1.15
S0889015	Washer		0.80	0.92
634036	M4 x 16mm screw		0.60	0.69
6367237	Pressure switch	n/s	108.00	124.20
638162	Remote sensor housing assembly (pre 2005)	n/s	7.50	8.63
6381620	Remote sensor housing assembly		7.00	8.05
86172	Gulf stream plug	n/s	0.50	0.58
6413002	Sensor suction pipe fitting (no sensor)	n/s	48.50	55.78
634037	M4 x 25mm screw		0.70	0.81
638172	O/T sensor MK2		37.50	43.13
455512611	Touch pad complete (suits 130E, 132, 133 and 135E)	17	329.00	378.35
45551285	Touch pad complete (suits 134 and 136)	17	316.00	363.40
455512812	Touch pad complete (suits 138 and 139)	17	316.00	363.40
638161	Conversion Kit - 4555137 to 137E (includes control box, touch pad & sensor)		895.00	1029.25
638161AS	Conversion Kit - 4555130/135 to 130E/135E (includes control box, touch pad & sensor)		950.00	1092.50



PORTAPAC MK2 / MK3

(Product Code: 4555140, 4555141, 45551403, 45551413)

Part Number	Product Description	Diagram Number	List Price	Price Inc GST
6307245	Motor 1.17kW	1	565.00	649.75
AXPU158	Pump foot	2	19.00	21.85
63506300	Adaptor plate	3	48.50	55.78
6340162	Mechanical Seal SS316	4	27.00	31.05
S1226911	O'ring pump body	5	6.40	7.36
635097	Impeller (4555140, 142, 144, 1490) for 10A	6	101.00	116.15
635099	Impeller (4555141, 143, 146, 148) for 15A	6	101.00	116.15
638153	Diffuser MK2	7	50.50	58.08
638152	Pump body MK2	8	204.00	234.60
6381522	Pump body MK3	8	150.00	172.50
122243B	Half Union 40mm c/w o'ring	9	13.00	14.95
64479	40mm union o ring	10	2.30	2.65
636138683	ELEMENT 1.6KW MK3 COATED	11	272.00	312.80
636138691	Element 2.4kw MK2 c/w o'ring (4555141, 143, 146, 148)	11	274.00	315.10
636138683	Element 1.6kW MK3 coated (45551403, 1423, 1443, 1493)	11	272.00	312.80
636138693	Element 2.4kW MK3 coated (45551413, 1433, 1463, 1483)	11	274.00	315.10
63813920	O'ring element BS027 Nitrile 70	11	1.00	1.15
63813899	Profile washer S/S	12	34.00	39.10
63400832	Screw M4x32mm PT SS316	13	1.00	1.15
63401812	M8 multi pack bolts & washers	14	12.00	13.80
	4 x M8 x 30 Bolt	14		
	4 x M8 Washer	14		
6381603	Control box with 10A plug & cord (4555140)	15		
6381602	Control box with 15A plug & cord (4555141)	16	560.00	644.00
6381614	Control box SSC Premium Boost	16	590.00	678.50
6381618	Control Box	16	1020.00	1173.00
6381616	Control box SSC Boost - Compact	16	520.00	598.00
6381617	Control Box MK3 (45551413, 45551403)	16	1020.00	1173.00
S138631	Lid Control box (suit 6381602/6381603)	16	620.00	713.00
6381451	Control box lid MK3	16	14.00	16.10
S138621	Bottom Control box (suit 6381602/6381603)	16	10.50	12.08
6381450	Control box bottom MK3	16	28.50	32.78
6340040	Bolt M6x20 Hex Set SS316 (motor/foot)	16	12.00	13.80
64130032	Temperature Sensor MK2	n/s	2.10	2.42
6381620	Housing Assembly Temperature Sensor Mk2	n/s	82.00	94.30
638172	O/T Sensor Mk2	n/s	7.00	8.05
6367237	Pressure switch	n/s	37.50	43.13
63813913	Air control switch	n/s	108.00	124.20
455512611	Touch pad complete (4555142, 143) - Air MK3	n/s	24.50	28.18
45551285	Touch pad complete (4555144, 146) - Premium Boost	n/s	329.00	378.35
455512812	Touch pad complete (4555148, 1490) - Waterco Boost MK4	n/s	316.00	363.40
S1348415	Screw M4x20 Pan Head (element, 2 required)	n/s	316.00	363.40
634037	Screw M4x25 Pan Head Phillips 304 (element, 2 required)		0.60	0.69
S0972315	Washer Star 5/32 304 (element, 4 required)		0.65	0.75
S0889015	Washer (element, 2 required)		2.20	2.53
636138685	Lock Nut		0.80	0.92
636138681	Element 1.6kw MK2 c/w o'ring (4555140, 142, 144, 1490)	11	12.50	14.38
			254.00	292.10

