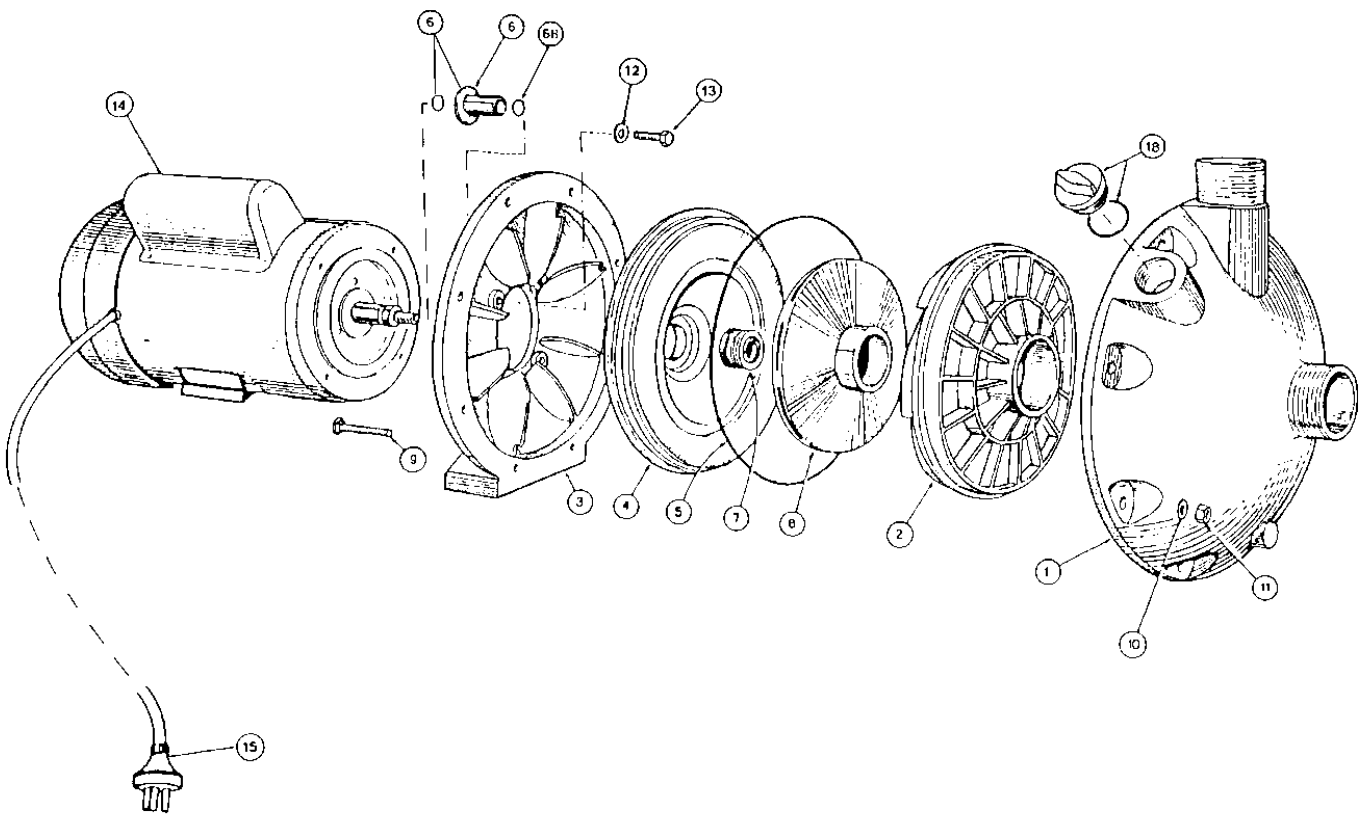


142 / 143 / 147 & 148 Models

WATER TRANSFER



Drawings are indicative only, product appearance may change slightly.

**Genuine Onga Spare Parts Supplied By:**



Freephone 0508 634 341

7 Monier Pl, Mt Wellington, Auckland 1060, New Zealand

# PARTS LIST TABLE

## 14 Series

MODEL	142	143	147	148
PART NUMBER	314200	314300	314700	314800
	314230	314330		

REF NO.	DESCRIPTION	PART NO.		PART NO.		PART NO.		PART NO.	
1	CASING	301106	1PC	301106	1PC	301106	1PC	301106	1PC
2	DIFFUSER	301431K	1PC	301481K	1PC	301431K	1PC	301431K	1PC
3	YOKE	402061	1PC	402061	1PC	402061	1PC	402061	1PC
4	BAFFLE	403501	1PC	403421	1PC	403501	1PC	403501	1PC
5	O'RING CASING	702180K	1PC	702180K	1PC	702180K	1PC	702180K	1PC
6	SHAFT SLEEVE & O'RING KIT	800895K	1PC	801007K	1PC	800895K	1PC	800895K	1PC
6b	O'RING SHAFT SLEEVE (PK 10)	702218K	1PC	-	1PC	702218K	1PC	702218K	1PC
7	SELA KIT (INC. SEAL + 6)	800583	1PC	800890K	1PC	800583	1PC	800583	1PC
	SEAL (PK 25)	800900	1PC	800900	1PC	800900	1PC	800900	1PC
8	IMPELLER - 1PH	506353K	1PC	503843K	1PC	507103	1PC	506353K	1PC
	IMPELLER - 3PH	801231K	1PC	503849K	1PC	-	1PC	-	1PC
9	COACH BOLT (PK 10)	800254	8PC	800254	8PC	800254	8PC	800254	8PC
10	WASHER (PK 20)	800151	8PC	800151	8PC	800151	8PC	800151	8PC
11	NUT (PK 12)	702025K	8PC	702025K	8PC	702025K	8PC	702025K	8PC
12	WASHER (PK 20)	800151	4PC	800151	4PC	800151	4PC	800151	4PC
13	SCREW (PK 10)	800097	4PC	800097	4PC	800097	4PC	800097	4PC
14	MOTOR - 1PH	800445	1PC	800446	1PC	801015	1PC	801015	1PC
	MOTOR - 3PH	800447	1PC	800449	1PC	-	1PC	-	1PC
NS	NUT DOMED 3PH MOTOR 3/4IN	603250	1PC	603250	1PC	-	1PC	-	1PC
15	LEAD	608200K	1PC	608200K	1PC	608200K	1PC	608200K	1PC
16	PRIMING PLUG & O'RING	800017K	1PC	800017K	1PC	800017K	1PC	800017K	1PC

WATER TRANSFER

Genuine Onga Spare Parts Supplied By:



Freephone 0508 634 341

7 Monier Pl, Mt Wellington, Auckland 1060, New Zealand