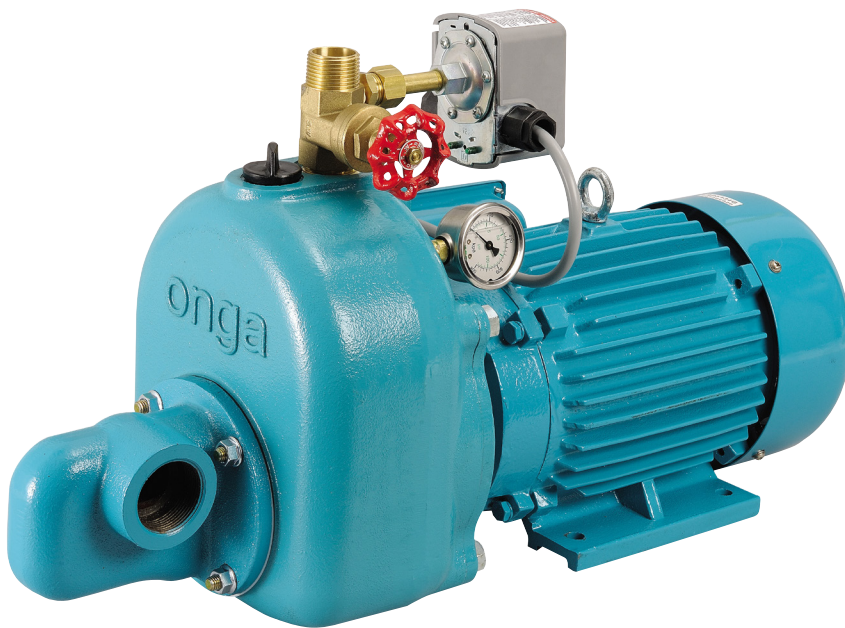


**ONGA®**

## OJ700

ONGA JET FARMMASTER PUMP  
JET ASSISTED PRESSURE PUMP



OJ700



### FEATURES

Injectors to suit large range of applications.

Offset combinations available.

No moving parts down bore.

Shallow well lifts to 7.6m.

Deep well lifts to 40m.

Manual or automatic system.

Max. head - 77m.

Max. flow - 162lpm.

### APPLICATIONS

- Domestic, industrial or rural pressure pump for use as a manual or an automatic pressure system.
- Stock watering, irrigation and water transfer.
- Option of a large range of water sources including tanks, bores, dams, creeks and rivers thanks to various injector combinations.

### PUMP INFORMATION

Horizontal, single-stage, surface mounted centrifugal pump. Jet and venturi assisted performance with closed impeller for pumping debris free water. Cast iron injector housing and pump casing with 1½" BSP (female) inlet and 1" BSP (female) outlet.

### OPERATING CONDITIONS

Suitable for pumping clean non-aggressive liquids without solids or fibres in suspension.

Fluid: Water.  
Maximum water temperature: 55°C.  
Minimum water temperature: 1°C.  
Maximum ambient temperature: 40°C.

### SCOPE OF SUPPLY

OJ700 pump and motor.  
Pressure switch fitted.  
Pressure gauge.

Distributed By:

**ARGON**  
DISTRIBUTORS LTD

Freephone 0508 634 341 | Fax 09 634 7417  
7 Monier Pl, Mt Wellington, Auckland 1060, New Zealand

## ELECTRICAL DATA

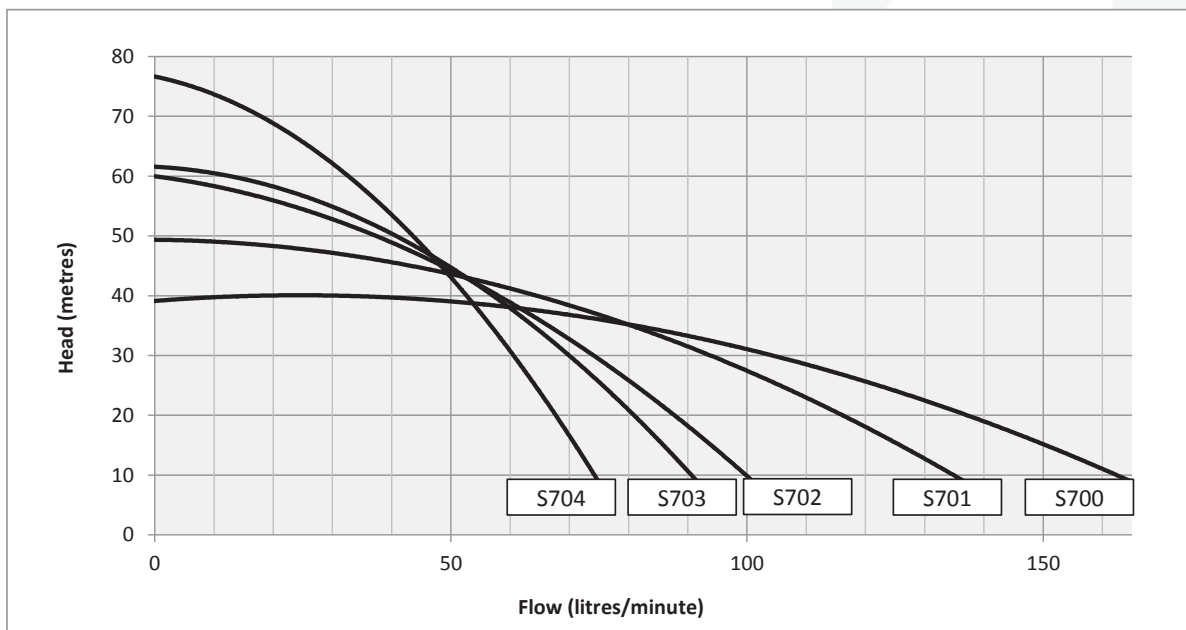
Type	Type of current	Voltage ± 10%	Frequency Hz	Motor rating kW		Nominal RPM	Current Ampere	Locked rotor current	Motor protection	Insulation class	IP rating
				P1	P2						
OJ700	1-phase	230	50	2	1.5	2900	8.5 A	42 A	Auto	B	44
OJ700	3-phase	400	50	2	1.5	2900	3.6 A	27 A	-	B	44

## PERFORMANCE

Type	Injector model	Pressure switch setting (kPa)	Suction depth (m)	Total head in metres										Maximum pump pressure (kPa)		
				15	21	27	34	40	46	52	58	64	70			
				Capacity (litres per minute)												
OJ700	S700	210-350#	0	162	159	138	80	27							430	
			3	130	127	110	64								400	
			6	92	91	79	46									370
			7.6	65	64	55	32									355
	S701	280-455*	0			114	94	61	31							540
			3			91	75	49	25							510
			6			65	54	35	18							480
			7.6			46	38	24	12							465
	S702	350-560*	0				85	66	42	24						635
			3				68	53	34	19						605
			6				48	38	24	14						575
			7.6				34	26	17	10						560
	S703	420-630*+	0					69	50	35	22					690
			3					55	40	28	18					660
			6					39	29	20	13					630
			7.6					28	20	14	9					615
	S704	490-700*+	0					56	51	39	28	18	11			800
			3					45	41	31	22	14	9			770
			6					32	29	22	16	10				740
			7.6					22	20	16	11	7				725

#Factory pressure switch setting. \*Pressure switch adjustment needed. +700248 pressure switch required.

## PERFORMANCE CURVE



Distributed By:

**ARGON**  
DISTRIBUTORS LTD

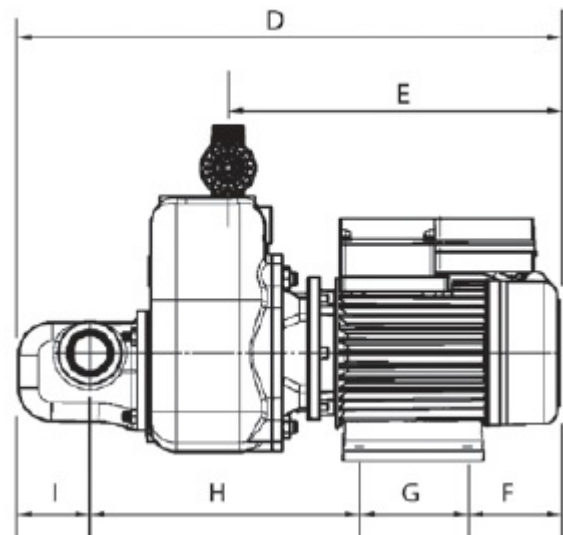
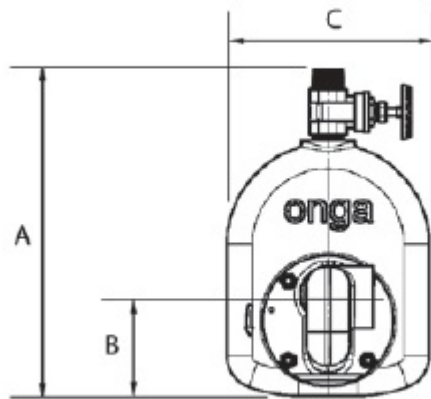
Freephone 0508 634 341 | Fax 09 634 7417  
7 Monier Pl, Mt Wellington, Auckland 1060, New Zealand

## PUMP CONSTRUCTION MATERIALS

Component	Material
Pump casing	Cast iron
Casing spigot	-
Baffle	Noryl
Priming/drain plug	Acetal
Impeller	20% Glass Filled Polycarbonate
Diffuser	Noryl
Shaft sleeve	Stainless Steel
Seal flexible bellows	Elastomer EPDM
Seal stationary face	Ceramic
Seal rotating face	Resin Impregnated Carbon Graphite
Seal spring	304 Stainless Steel
Motor shaft	Mild Steel
O'Rings	Nitrile

## DIMENSIONS

Type	Weight approx.	Inlet	Pump outlet	Pressure kit outlet	Carton L x W x H	Packed weight
<b>OJ700/1</b>	37 kg	1½" BSP (female)	1" BSP (female)	1" BSP (female)	560 x 350 x 460 mm	38 kg
<b>OJ700/3</b>	41 kg	1½" BSP (female)	1" BSP (female)	1" BSP (female)	560 x 350 x 460 mm	42 kg



Type	A	B	C	D	E	F	G	H	I
<b>OJ700/1</b>	350	110	220	575	365	110	N/A	285	80
<b>OJ700/3</b>	350	110	220	590	380	125	100	285	80

Distributed By:

**ARGON**  
DISTRIBUTORS LTD

Freephone 0508 634 341 | Fax 09 634 7417  
7 Monier Pl, Mt Wellington, Auckland 1060, New Zealand