

SWIMMING POOL HEAT PUMP UNIT

Installation & Instruction Manual



CONTENTS

1. Preface	1
2. Specifications	2
2.1 Performance Data of Swimming Pool Heat Pump Unit	2
2.2 Dimensions for Swimming Pool Heat Pump Unit	4
3. Installation and Connection	6
3.1 Installation of System	6
3.2 Swimming Pool Heat Pumps Location	7
3.3 How Close to Your Pool?	7
3.4 Swimming Pool Heat Pumps Plumbing	8
3.5 Swimming Pool Heat Pumps Electrical Wiring	9
3.6 Initial Start-up of the Unit	9
4. Usage and Operation	10
4.1 Function of the controller	10
4.2 Usage of the controller	11
4.3 Parameter table	19
4.4 Wiring cliagram	20
5. Maintenance and Inspection	25
5.1 Maintenance	25
5.2 Trouble Shooting Guide	26
6.Appendix	27

1. PREFACE

- In order to provide our customers with quality, reliability and versatility, this product has been made to strict production standards. This manual includes all the necessary information about installation, debugging, discharging and maintenance. Please read this manual carefully before you open or maintain the unit. The manufacture of this product will not be held responsible if someone is injured or the unit is damaged, as a result of improper installation, debugging, or unnecessary maintenance. It is vital that the instructions within this manual are adhered to at all times. The unit must be installed by qualified personnel.
- The unit can only be repaired by qualified installer centre, personnel or an authorised dealer.
- Maintenance and operation must be carried out according to the recommended time and frequency, as stated in this manual.
- Use genuine standard spare parts only.
Failure to comply with these recommendations will invalidate the warranty.
- Swimming Pool Heat Pump Unit heats the swimming pool water and keeps the temperature constant. For split type unit, The indoor unit can be discretely hidden or semi-hidden to suit a luxury house.

Our heat pump has following characteristics:

1 Durable

The heat exchanger is made of PVC & Copper Nickel tube which can withstand prolonged exposure to swimming pool water.

2 Installation flexibility

The unit can be installed outdoors or indoors.

3 Quiet operation

The unit comprises an efficient rotary/ scroll compressor and a low-noise fan motor, which guarantees its quiet operation.

4 Advanced controlling

The unit includes micro-computer controlling, allowing all operation parameters to be set. Operation status can be displayed on the LCD wire controller. Remote controller can be chosen as future option.

2.SPECIFICATION

2.1 Performance data of Swimming Pool Heat Pump Unit

*** REFRIGERANT : R410A

Unit	Model	EH9h	EH9bp	Oasis H13bp
Heating Capacity	kW	9.2	9.2	13.8
	BTU/h	31400	31400	47000
Heating Power Input	kW	1.5	1.5	2.1
Running Current	A	6.7	6.7	10.4
Power Supply		230V~/50Hz	230V~/50Hz	230V~/50Hz
Compressor Quantity		1	1	1
Compressor		rotary	rotary	rotary
Fan Quantity		1	1	1
Fan Power Input	W	120	120	120
Fan Rotate Speed	RPM	850	850	850
Fan Direction		horizontal	horizontal	horizontal
Noise	dB(A)	51	51	54
Water Connection	mm	40	40	40
Water Flow Volume	m ³ /h	3.0	3.0	4.5
Water Pressure Drop(max)	kPa	10	10	10
Unit Net Dimensions(L/W/H)	mm	956×372×600	956×372×600	956×372×600
Unit Shipping Dimensions(L/W/H)	mm	1040×415×615	1040×415×615	1040×415×615
Net Weight	kg	51	51	57
Shipping Weight	kg	60	60	66

Unit	Model	Oasis C13bp	Oasis H17bp	Oasis C17bp
Heating Capacity	kW	13.8	18.2	18.2
	BTU/h	47000	62000	62000
Heating Power Input	kW	2.1	3.0	3.0
Running Current	A	10.4	13.4	13.4
Power Supply		230V~/50Hz	230V~/50Hz	230V~/50Hz
Compressor Quantity		1	1	1
Compressor		rotary	rotary	rotary
Fan Quantity		1	1	1
Fan Power Input	W	120	150	150
Fan Rotate Speed	RPM	850	850	850
Fan Direction		horizontal	horizontal	horizontal
Noise	dB(A)	54	56	56
Water Connection	mm	40	40	40
Water Flow Volume	m ³ /h	4.5	6.0	6.0
Water Pressure Drop(max)	kPa	10	10	10
Unit Net Dimensions(L/W/H)	mm	956×372×600	1115×455×868	1115×455×868
Unit Shipping Dimensions(L/W/H)	mm	1040×415×615	1220×510×880	1220×510×880
Net Weight	kg	57	86	87
Shipping Weight	kg	66	100	101

Heating: Outdoor air temp:24°C/19°C, Inlet water temp:26°C

2.SPECIFICATION

*** REFRIGERANT : R410A

Unit	Model	Oasis C21bp	Oasis C25tp
Heating Capacity	kW	21.0	26
	BTU/h	71715	88000
Heating Power Input	kW	3.8	4.3
Running Current	A	17.5	8.7
Power Supply		230V~/50Hz	380V/3N~/50Hz
Compressor Quantity		1	1
Compressor		Scroll	scroll
Fan Quantity		1	2
Fan Power Input	W	150	120×2
Fan Rotate Speed	RPM	850	850
Fan Direction		horizontal	horizontal
Noise	dB(A)	56	56
Water Connection	mm	40	40
Water Flow Volume	m ³ /h	7.0	9.0
Water Pressure Drop(max)	kPa	12	15
Unit Net Dimensions(L/W/H)	mm	1115×455×868	1002×425×1248
Unit Shipping Dimensions(L/W/H)	mm	1220×510×880	1200×490×1380
Net Weight	kg	108	117
Shipping Weight	kg	123	135

*** REFRIGERANT : R407C

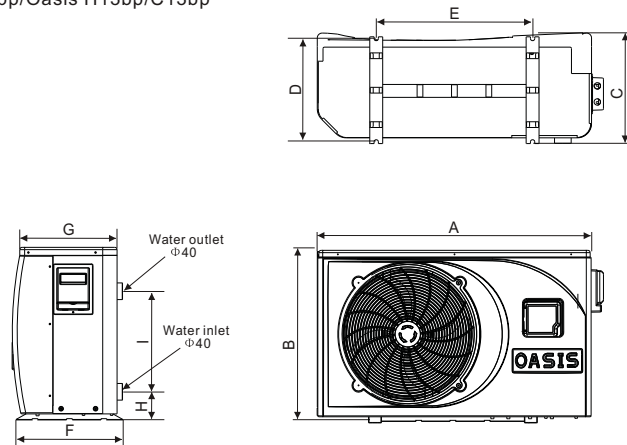
Unit	Model	Oasis C25sbp
Heating Capacity	kW	26
	BTU/h	88000
Heating Power Input	kW	4.3
Running Current	A	21.3
Power Supply		230V~/50Hz
Compressor Quantity		1
Compressor		scroll
Fan Quantity		2
Fan Power Input	W	120×2
Fan Rotate Speed	RPM	850
Fan Direction		horizontal
Noise	dB(A)	56
Water Connection	mm	40
Water Flow Volume	m ³ /h	9.0
Water Pressure Drop(max)	kPa	15
Unit Net Dimensions(L/W/H)	mm	1002×425×1248
Unit Shipping Dimensions(L/W/H)	mm	1200×490×1380
Net Weight	kg	117
Shipping Weight	kg	135

Heating: Outdoor air temp:24°C/19°C, Inlet water temp:26°C

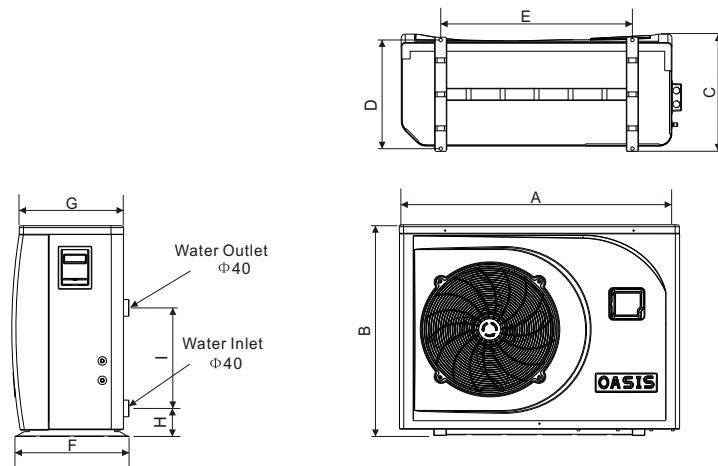
2.SPECIFICATION

2.2 The dimensions for Swimming Pool Heat Pump Unit

Eh9h/9bp/Oasis H13bp/C13bp

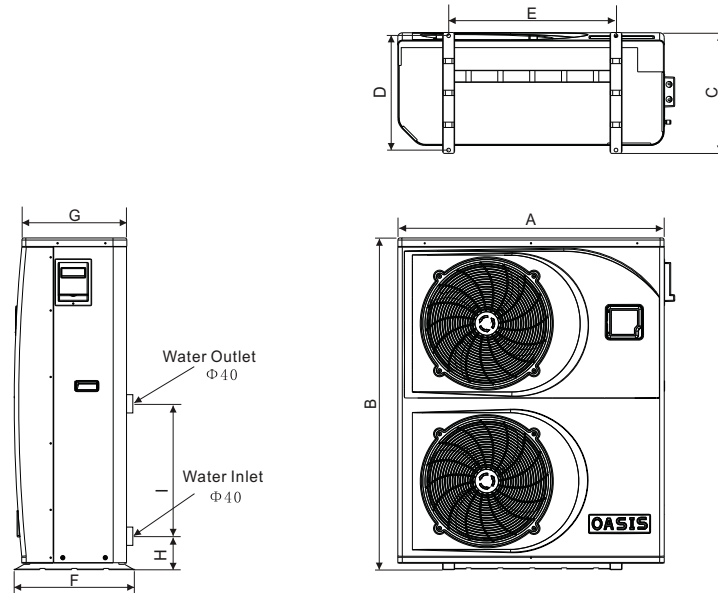


Oasis H17bp/C17bp/C21bp



2.SPECIFICATION

Oasis C25sbp/C25tbp

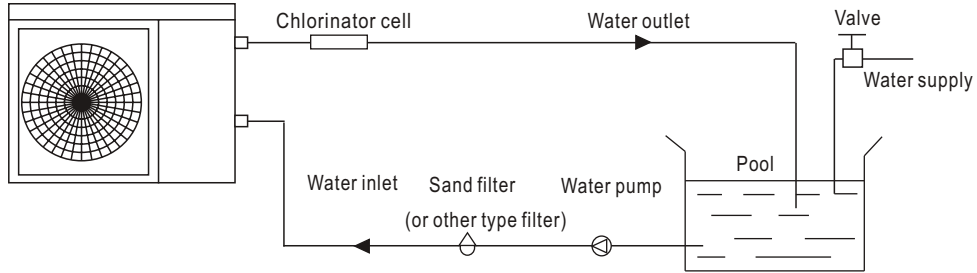


unit: mm

TYPE SIZE	Eh9h/9bp/Oasis H13bp/C13bp	Oasis H17bp/C17bp/C21bp	Oasis C25sbp/C25tbp
A	956	1115	1002
B	600	868	1248
C	385	455	425
D	360	447	430
E	545	790	630
F	372	470	455
G	340	430	395
H	98	98	103
I	350	400	440

3. INSTALLATION AND CONNECTION

3.1 Installation illustration



Installation items:

The factory only provides the main unit and the water unit; the other items in the illustration are necessary spare parts for the water system, that provided by users or the installer.

Attention:

Please follow these steps when using for the first time

1. Open valve and charge water.
2. Make sure that the pump and the water-in pipe have been filled with water.
3. Close the valve and start the unit.

ATTN: It is necessary that the water-in pipe is higher than the pool surface.

3. INSTALLATION AND CONNECTION

3.2 Swimming Pool Heat Pumps Location

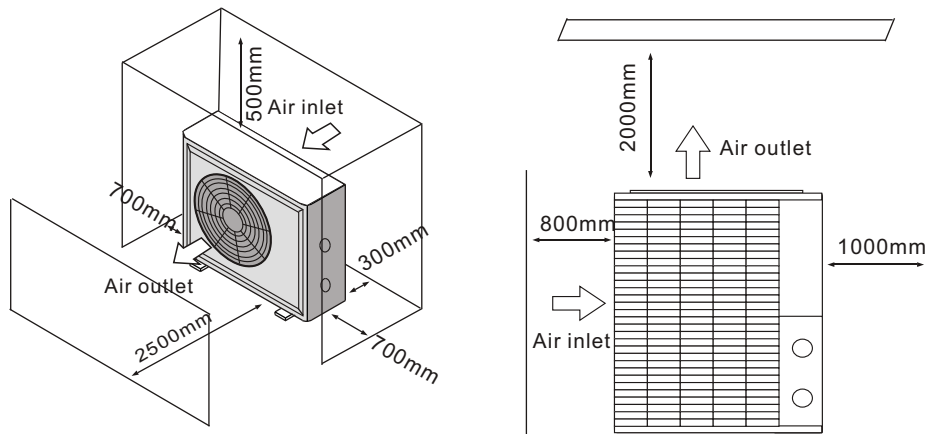
The unit will perform well in any outdoor location provided that the following three factors are presented:

1. Fresh Air -
2. Electricity -
3. Pool filter piping

The unit may be installed virtually anywhere outdoors. For indoor pools please consult the supplier. Unlike a gas heater, it has no draft or pilot light problem in a windy area.

DO NOT place the unit in an enclosed area with a limited air volume, where the units discharge air will be re-circulated.

DO NOT place the unit to shrubs which can block air inlet. These locations deny the unit of a continuous source of fresh air which reduces its efficiency and may prevent adequate heat delivery.



3.3 How Close To Your Pool?

Normally, the pool heat pump is installed within 7.5 metres of the pool. The longer the distance from the pool, the greater the heat loss from the piping. For the most part, the piping is buried. Therefore, the heat loss is minimal for runs of up to 15 meters (15 meters to and from the pump = 30 meters total), unless the ground is wet or the water table is high. A very rough estimate of heat loss per 30 meters is 0.6 kW-hour, (2000 BTU) for every 5 °C difference in temperature between the pool water and the ground surrounding the pipe, which translates to about 3% to 5% increase in run time.

3. INSTALLATION AND CONNECTION

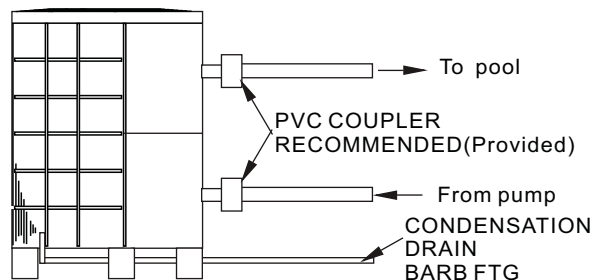
3.4 Swimming Pool Heat Pumps Plumbing

The Swimming Pool Heat Pumps exclusive rated flow titanium heat exchanger requires no special plumbing arrangements except bypass (please set the flow rate according to the nameplate). The water pressure drop is less than 10kPa at max. flow rate. Since there is no residual heat or flame temperatures, the unit does not need copper heat sink piping. PVC pipe can be run straight into the unit.

Location: Connect the unit in the pool pump discharge (return) line downstream of all filter and pool pumps, and upstream of any chlorinators, ozonators or chemical pumps.

Standard model has slip glue fittings which accept 32mm or 50mm PVC pipe for connection to the pool or spa filtration piping. By using a 50NB to 40NB you can plumb 40NB

Give serious consideration to adding a quick coupler fitting at the unit inlet and outlet to allow easy draining of unit for winterizing and to provide easier access should servicing be required.



Condensation: Since the Heat pump cools down the air about 4 -5°C, water may condense on the fins of the horseshoe shaped evaporator. If the relative humidity is very high, this could be as much as several litres an hour. The water will run down the fins into the basepan and drain out through the barbed plastic condensation drain fitting on the side of the basepan. This fitting is designed to accept 20mm clear vinyl tubing which can be pushed on by hand and run to a suitable drain. It is easy to mistake the condensation for a water leak inside the unit.

NB: A quick way to verify that the water is condensation is to shut off the unit and keep the pool pump running. If the water stops running out of the basepan, it is condensation. AN EVEN QUICKER WAY IS to TEST THE DRAIN WATER FOR CHLORINE - if there is no chlorine present, then it's condensation.

3. INSTALLATION AND CONNECTION

3.5 Swimming Pool Heat Pumps Electrical Wiring

NOTE: Although the unit heat exchanger is electrically isolated from the rest of the unit, it simply prevents the flow of electricity to or from the pool water. Grounding the unit is still required to protect you against short circuits inside the unit. Bonding is also required.

The unit has a separate molded-in junction box with a standard electrical conduit nipple already in place. Just remove the screws and the front panel, feed your supply lines in through the conduit nipple and wire-nut the electric supply wires to the three connections already in the junction box (four connections if three phase). To complete electrical hookup, connect Heat Pump by electrical conduit, UF cable or other suitable means as specified (as permitted by local electrical authorities) to a dedicated AC power supply branch circuit equipped with the proper circuit breaker, disconnect or time delay fuse protection.

Disconnect - A disconnect means (circuit breaker, fused or un-fused switch) should be located within sight of and readily accessible from the unit. This is common practice on commercial and residential air conditioners and heat pumps. It prevents remotely-energizing unattended equipment and permits turning off power at the unit while the unit is being serviced.

3.6 Initial startup of the Unit

NOTE- In order for the unit to heat the pool or spa, the filter pump must be running to circulate water through the heat exchanger.

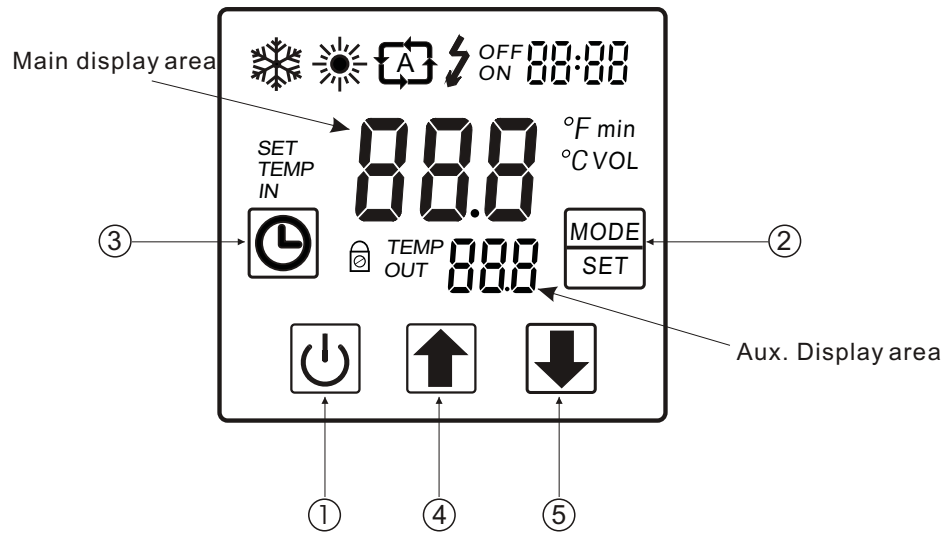
Start up Procedure - After installation is completed, you should follow these steps:

1. Turn on your filter pump. Check for water leaks and verify flow to and from the pool.
2. Turn on the electrical power supply to the unit, then press the key ON/OFF of wire controller, It should start in several seconds.
3. After running a few minutes make sure the air leaving the top(side) of the unit is cooler (Between 5-10 °C)
4. With the unit operating turn the filter pump off. The unit should also turn off automatically,
5. Allow the unit and pool pump to run 24 hours per day until desired pool water temperature is reached. When the water-in temperature reach setting, The unit just shuts off. The unit will now automatically restart (as long as your pool pump is running) when the pool temperature drops more than 2°C below set temperature.

Time Delay- The unit is equipped with a 3 minute built-in solid state restart delay included to protect control circuit components and to eliminate restart cycling and contactor chatter. This time delay will automatically restart the unit approximately 3 minutes after each control circuit interruption. Even a brief power interruption will activate the solid state 3 minute restart delay and prevent the unit from starting until the 5 minute countdown is completed. Power interruptions during the delay period will have no effect on the 3 minute countdown.

4. USAGE AND OPERATION






1. Function of controller



1) Button function

NO	Symbol	Name	Function
①		On/off	Press this button can start up or shut down the unit, cancel the current operation or back to the upper interface
②		Mode	Press this button can switch modes or save parameter setting.
③		Clock	Press this button can set the clock and timer
④		Up	Press this button can move up or increase parameter value.
⑤		Down	Press this button can move down or decrease the parameter value.

4. USAGE AND OPERATION

Symbol	Meaning	Function
	Cooling	It is showed when the unit in cooling mode.
	Heating	It is showed when the unit in heating mode and flashed in defrosting.
	Automatic	It is showed when the unit in automatic mode.
	Electric-heating	It is showed when the unit in electric-heating mode. (Swimming pool unit without this display)
ON	Timer on	It is showed when the unit sets the timer on
OFF	Timer off	It is showed when the unit sets the timer off
IN	Inlet water	It is showed when the main display area gives the inlet water temperature.(measured value)
OUT	Outlet water	It is showed when the AUX display area gives the outlet water temperature.(measured value)
TEMP	Temperature	It is showed when the main/AUX display area gives temperature
VOL	Flow	It is showed when the main display area gives the water flow value
min	Minute	It is showed when the main display area gives minute value
°F	Fahrenheit	It is showed when the main/AUX display area gives Fahrenheit value
°C	Centigrade	It is showed when the main/AUX display area gives centigrade value
SET	Parameter setting	It is showed when the parameter can be setted.
	Lock	It is showed when the keyboard is locked.

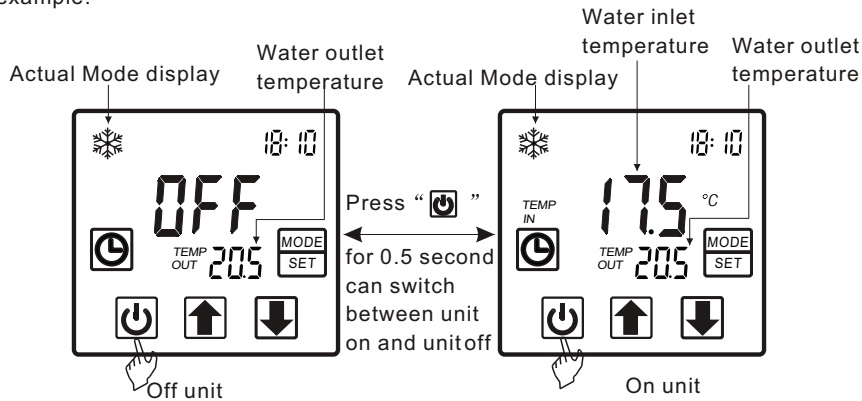
4. USAGE AND OPERATION

2. The controller usage

2.1 Starting up and shutting down

In the off interface, press "⏻" for 0.5s can start up the unit, and aux. display-area shows water outlet temperature; In the running interface, press "⏻" for 0.5s can shut down the unit and aux. display-area shows "OFF".

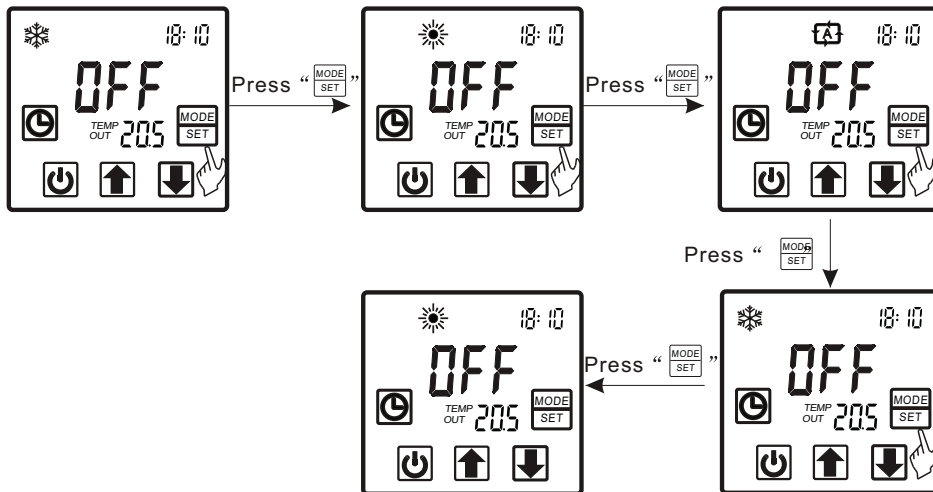
Attention: the operation of Starting up and shutting down can only be done in the main interface. For example:



2.2 Modes switching

If it is cold/ heat unit, in the main interface, you can switch different modes of cooling, heating, auto mode by pressing "MODE SET".


Attention: The modes switching is useless if the unit you buy is single-cold/single-heat unit. For example:




4. USAGE AND OPERATION

2.3 Temperature setting

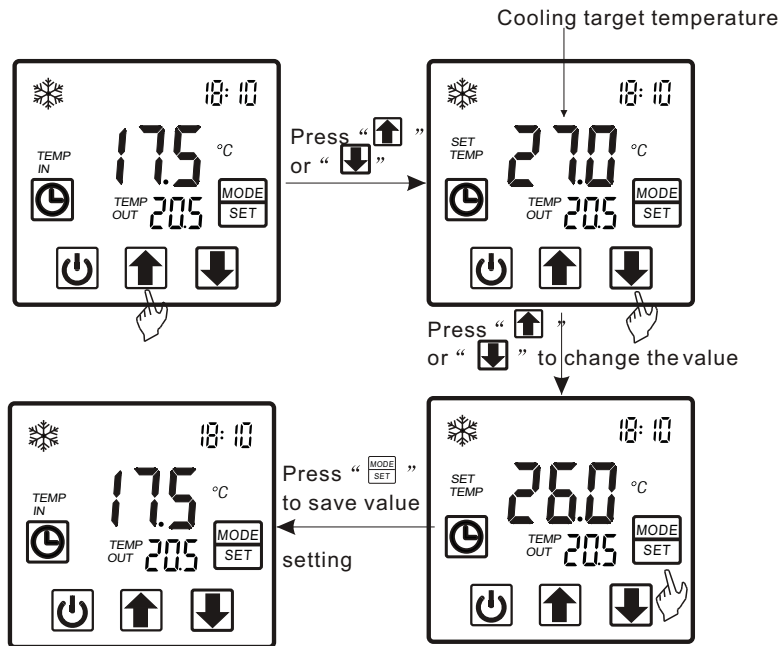
In the main interface, press “” or “” and the current mode target-temperature flashes, then press “” to increase the temp.value, or press “” to decrease it.

Press “” can save setting parameter and back to the main interface;




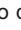
Press “” can not save setting parameter but back to the main interface;




Attention: If there is no operation for 5s, system would remember parameter setting and back to the main interface.


For example:



2.4 Clock setting

In the main interface, press “” twice, Hours start to flashing , and press “” to increase value or press “” to decrease value, and press “” to save setting;

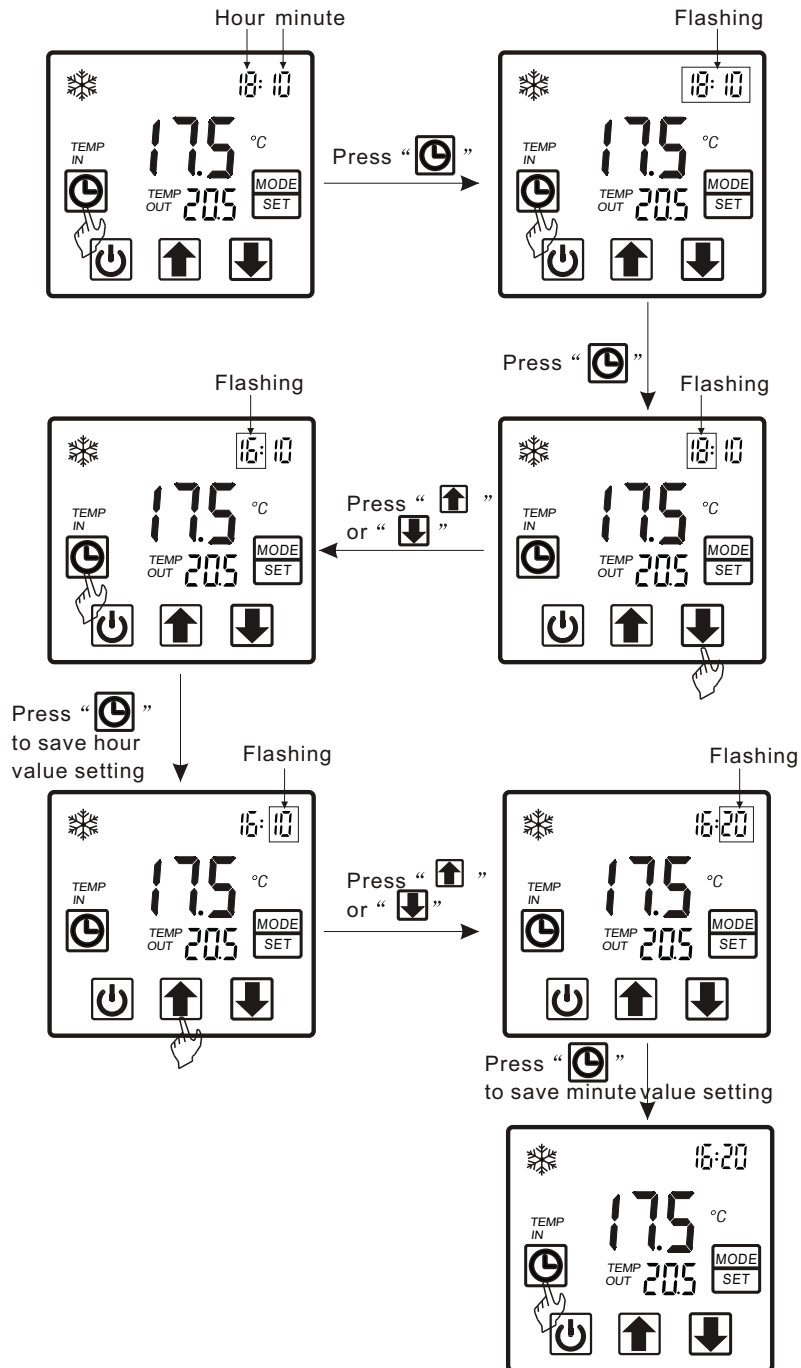
At the same time, minute start to flashing , press “” to increase value or press “” to decrease value, and press “” to save setting.

Press “” can not save setting parameter and back to main interface.

Attention: If there is no operation for 5s system will remember parameter setting and back to the main interface.



For example:


4. USAGE AND OPERATION




4. USAGE AND OPERATION

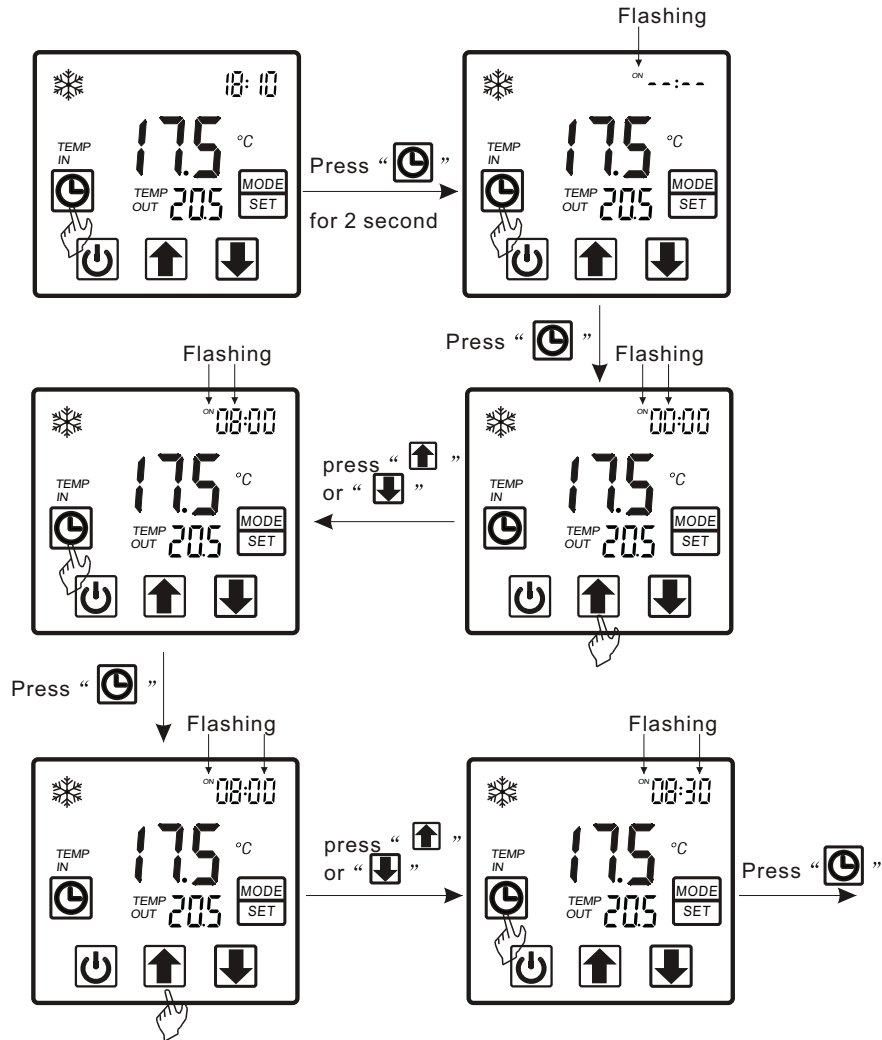
2.5 Timer setting

In the main interface, press “” hold on 2 seconds and "on" is flashing, at this time, you can set the timer on (means the unit timer is on) , then press “” again and hold on 2 seconds and "off" is flashes you can set the timer off (means the unit timer is off) .

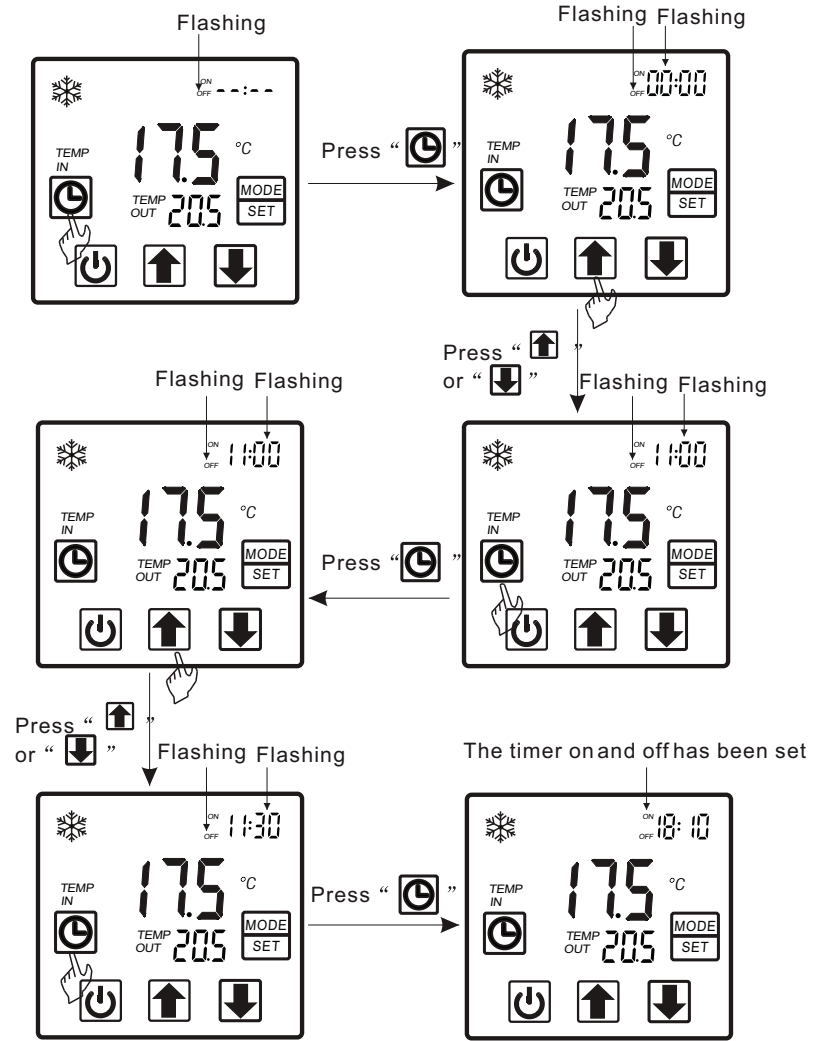
If you want cancel the timer off, In the "off" flashing interface, press “” to cancel

Attention: 1) If there is no operation for 5s, system will remember clock setting and back to the main interface.

2) By pressing “” till the "off" flashing, you can set the timer off without timer on.





4. USAGE AND OPERATION

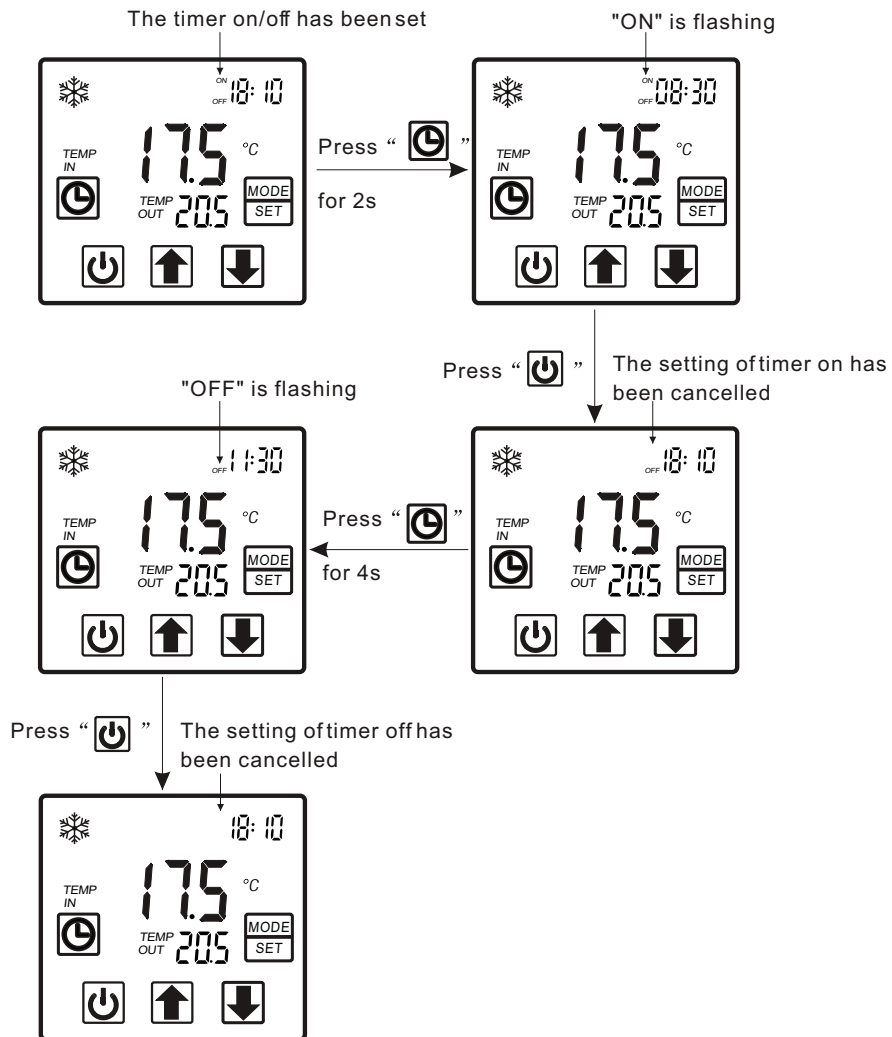


4. USAGE AND OPERATION

2.6 Cancel the timer setting

Press “” for 2s and "ON" is flashing, at this time, press “” to cancel the setting of timer on; It is the same way to cancel the setting of timer off .


For example:



4. USAGE AND OPERATION

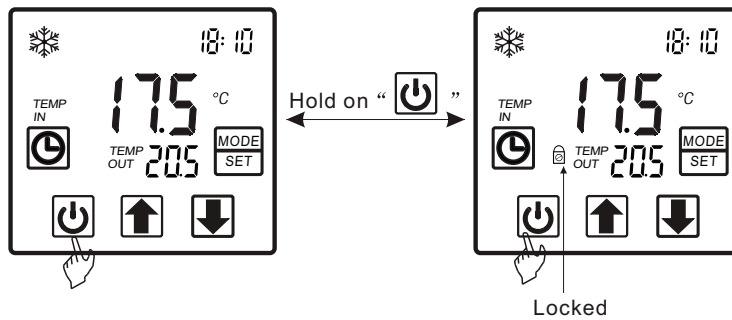
2.4 Keyboard lock

To avoid mis-operation, please lock the controller after parameter setting.

At the main interface, press “” for 5 seconds, the keyboard will be locked.

When the keyboard is locked, press “” for 5 seconds, the keyboard will be unlocked.

NOTES: When the unit is in alarming state, the key lock can be removed automatically.

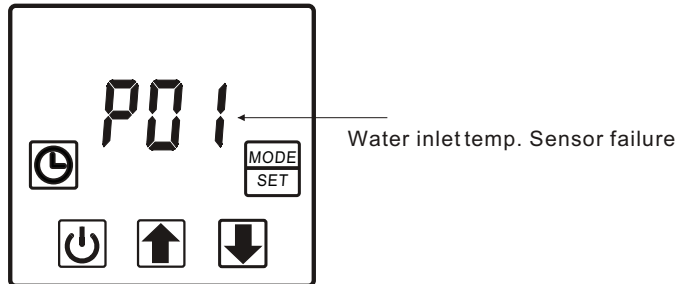


2.5 Malfunction display

There will be malfunction code showing on the controller screen when relative malfunction occurs.

You can refer to the malfunction table to find out the failure cause and solution.

For example:



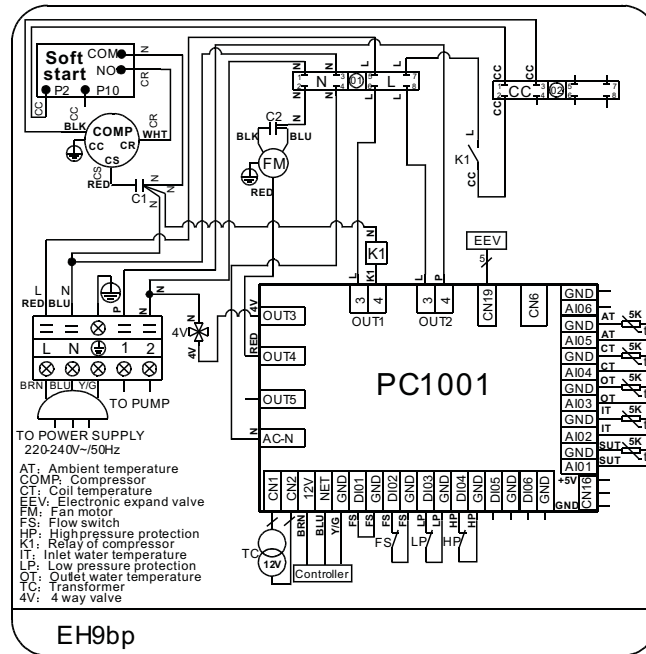
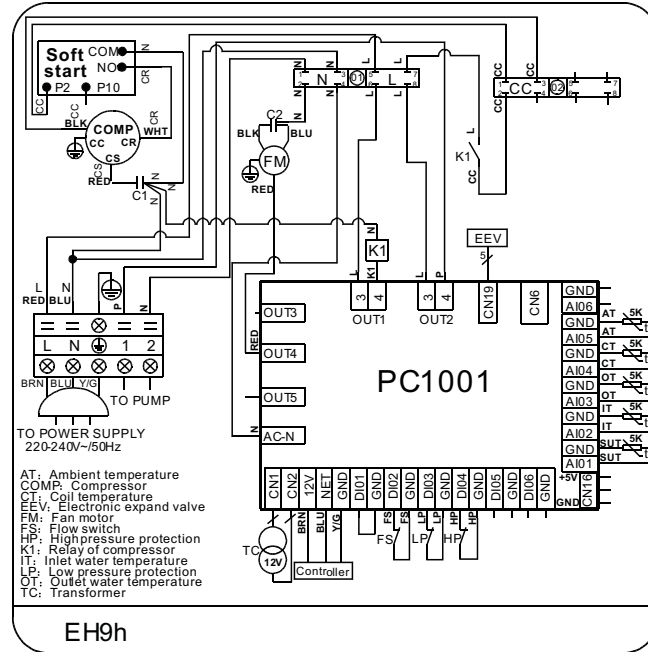
4. USAGE AND OPERATION

3. Parameter table

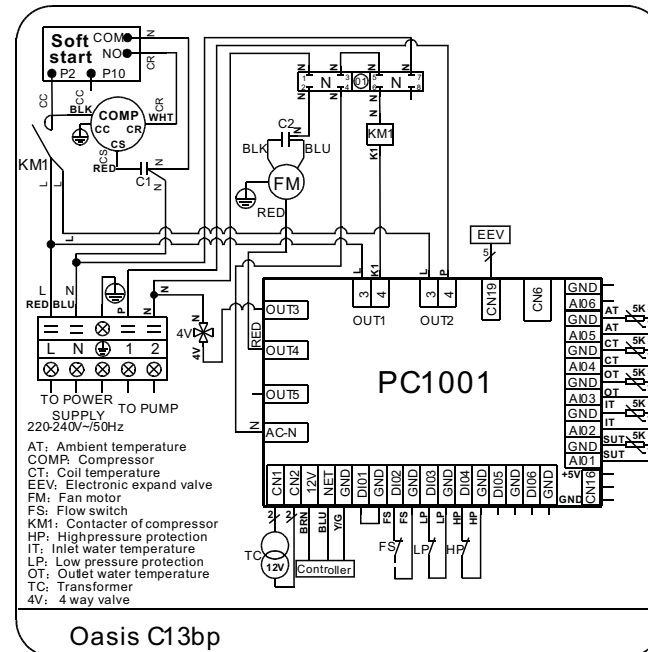
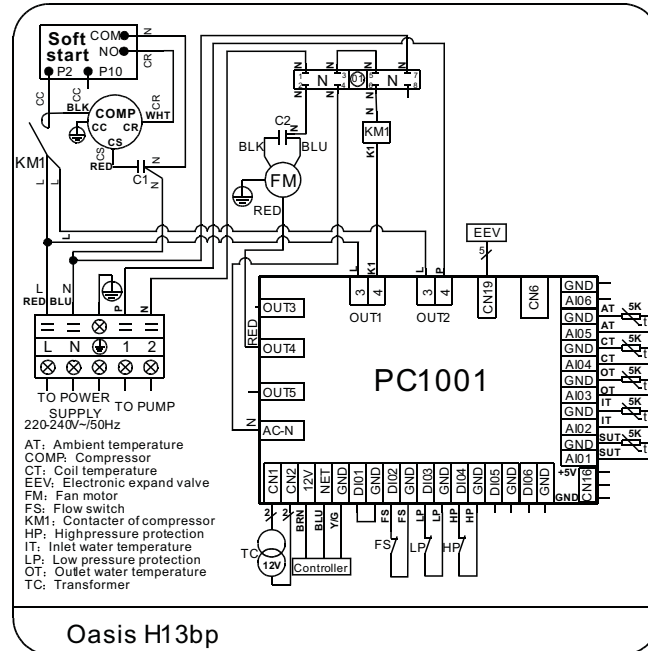
Meaning	Default	Remark
Heating inlet target temp.	28°C	Adjustable
Cooling inlet target temp.	28°C	Adjustable

4. USAGE AND OPERATION

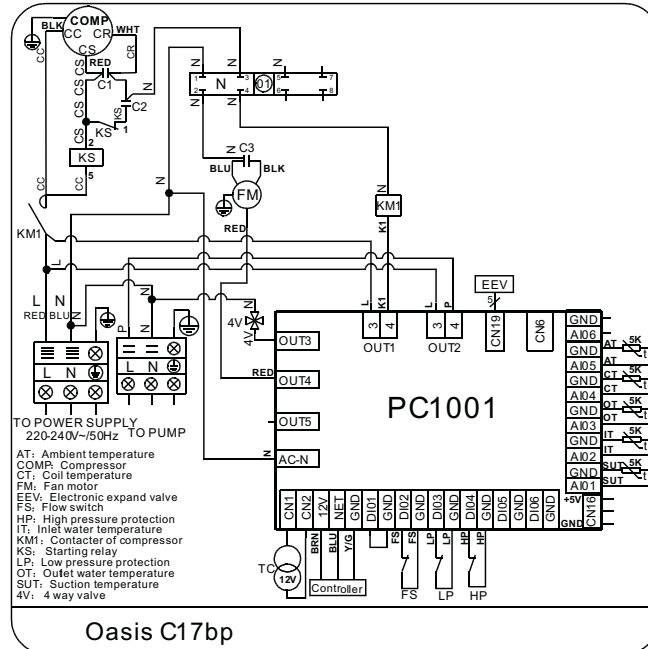
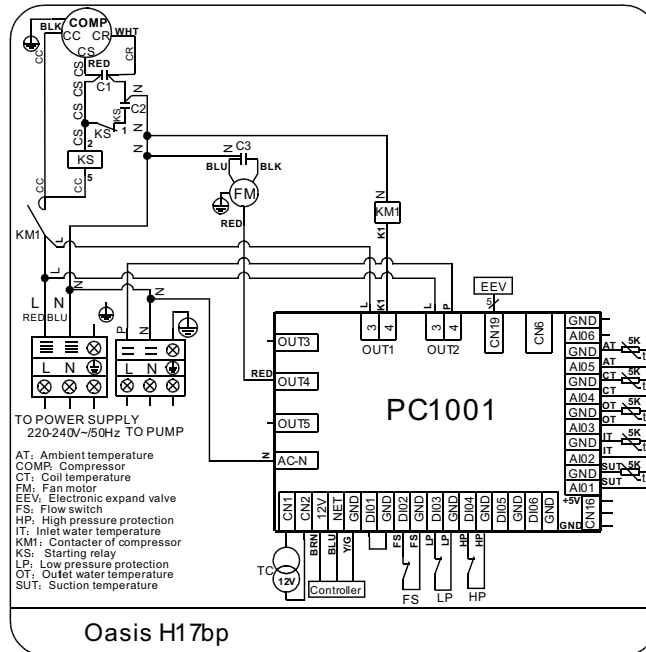
4.5 Wiring diagram



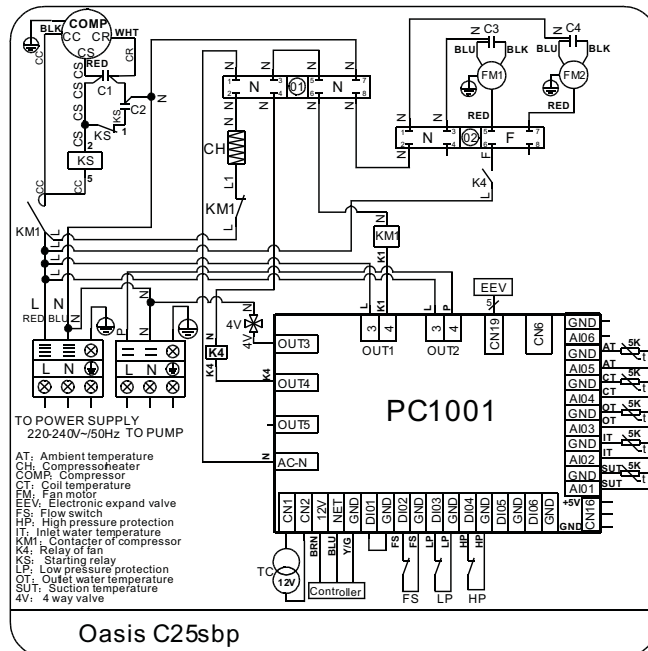
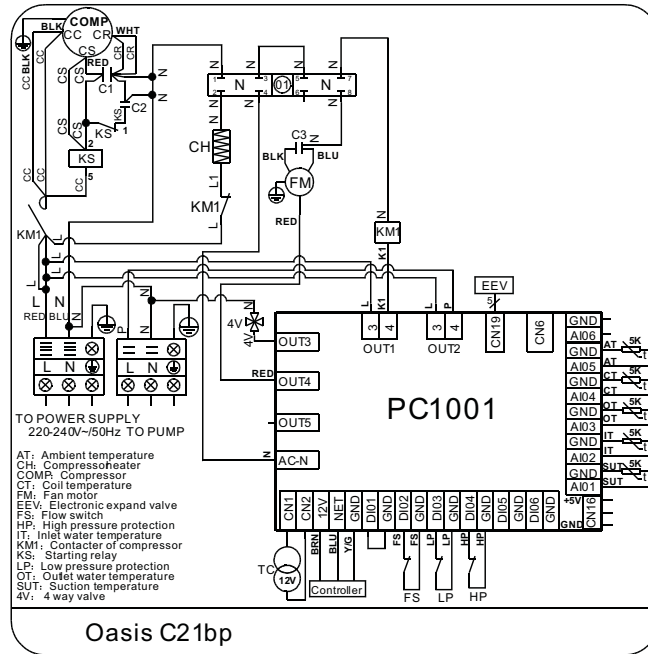
4. USAGE AND OPERATION



4. USAGE AND OPERATION



4. USAGE AND OPERATION



5. MAINTENANCE AND INSPECTION

5.1 Maintenance

- Check the water supply device and the release often. You should avoid the condition of no water or air entering into system, as this will influence unit's performance and reliability. You should clear the pool/spa filter regularly to avoid damage to the unit as a result of the dirty or clogged filter.
- The area around the unit should be dry, clean and well ventilated. Clean the side heating exchanger regularly to maintain good heat exchange and conserve energy.
- The operation pressure of the refrigerant system should only be serviced by a certified technician.
- Check the power supply and cable connection often. Should the unit begin to operate abnormally, switch it off and contact the qualified technician.
- Discharge all water in the water pump and water system, so that freezing of the water in the pump or water system does not occur. You should discharge the water at the bottom of water pump if the unit will not be used for an extended period of time. You should check the unit thoroughly and fill the system with water fully before using it for the first time after a

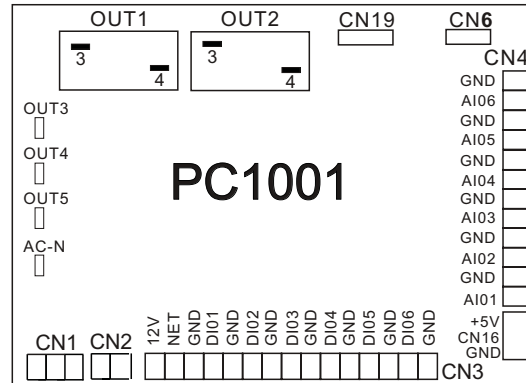
5. MAINTENANCE AND INSPECTION

5.2 Trouble Shooting Guide

Malfunction	Display	Cause	Solution
Water inlet temp. Sensor failure	P01	The water inlet temp. Sensor is open or shortcircuit	Check or change the water inlet temp. Sensor
Water outlet temp. Sensor failure	P02	The water outlet temp. sensor is open or shortcircuit	Check or change the water outlet temp. Sensor
Ambient temp. Sensor failure	P04	The ambient temp. sensor is open or shortcircuit	Check or change the ambient temp. Sensor
Pipe temp. Sensor failure	P05	The pipe temp. sensor is open or short circuit	Check or change the pipe temp. Sensor
Evaporator temp. Sensor failure	P07	The evaporator temp. Sensor is open or shortcircuit	Check or change the evaporator temp. Sensor
High pressure protect	E01	The exhaust pressure is high , high pressure switch action	Check high pressure switch and cooling return circuit
Low pressure protect	E02	The suction pressure is low, Low pressure switch action	Check low pressure switch and cooling return circuit
Flow switch failure	E03	No water or litter water in water system	Check the flow volume, water pump is failure or not
Temp. is too much different between water-inlet and outlet	E06	Water flow volume not enough, Water system pressure difference is small	Check the flow volume, water system is jammed or not
Antifreezing under cooling mode	E07	Water flow volume not enough	Check the flow volume, water system is jammed or not
The primary anti-freezing protection start.	E19	Ambient temperature is too low	
The second anti-freezing protection start	E29	Ambient temperature is too low	
Communication failure	E08	Communication failure between remote wire controller and main board	Check the wire connection between remote wire controller and main board

6.APPENDIX

6.1 Connection of PCB illustration



Connections explanation:

No.	Symbol	Meaning
1	OUT1	Compressor of system1 (220-230VAC)
2	OUT2	Water pump (220-230VAC)
3	OUT3	4way valve (220-230VAC)
4	OUT4	High speed offan motor (220-230VAC)
5	OUT5	Low speed offan motor (220-230VAC)
6	AC-N	Neutral wire
7	NET GND 12V	Wire controller
8	DI01 GND	On/Off Switch(input)(no use)
9	DI02 GND	Flow switch (input)(normal close)
10	DI03 GND	Low pressure protect
11	DI04 GND	High pressure protect
12	DI05 GND	No use
13	DI06 GND	No use
14	AI01 GND	Suction temp.(input)
15	AI02 GND	Water in temp.(input)
16	AI03 GND	Water out temp.(input)
17	AI04 GND	Temp. Of coil (input)
18	AI05 GND	Ambient temp.(input)
19	AI06 GND	No use
20	CN1	Primary transformer
21	CN2	Secondary transformer
22	CN6	Without use
23	CN19	Electronic expansion valve
24	5V CN16 GND	Flow meter

6.APPENDIX

Caution & Warning

1. The unit can only be repaired by qualified installer centre personnel or an authorised dealer. (for Europe market)
2. This appliance is not intended for use by persons (including children) with reduced physical sensory or mental capabilities, or lack of experience and knowledge, unless they have been given supervision or instruction concerning use of the appliance by a person responsible for their safety. (for Europe market)
Children should be supervised to ensure that they do not play with the appliance.
3. Please make sure that the unit and power connection have good earthing, otherwise may cause electrical shock.
4. If the supply cord is damaged, it must be replaced by the manufacturer or our service agent or similarly qualified person in order to avoid a hazard.
5. Directive 2002/96/EC (WEEE):
The symbol depicting a crossed-out waste bin that is underneath the appliance indicates that this product, at the end of its useful life, must be handled separately from domestic waste, must be taken to a recycling centre for electric and electronic devices or handed back to the dealer when purchasing an equivalent appliance.
6. Directive 2002/95/EC (RoHS): This product is compliant with directive 2002/95/EC (RoHS) concerning restrictions for the use of harmful substances in electric and electronic devices.
7. The unit CANNOT be installed near the flammable gas. Once there is any leakage of the gas, fire can occur.
8. Make sure that there is circuit breaker for the unit, lack of circuit breaker can lead to electrical shock or fire.
9. The heat pump located inside the unit is equipped with an over-load protection system. It does not allow for the unit to start for at least 3 minutes from a previous stoppage.
10. The unit can only be repaired by the qualified personnel of an installer center or an authorized dealer. (for North America market)
11. Installation must be performed in accordance with the NEC/CEC by authorized person only. (for North America market)
12. USE SUPPLY WIRES SUITABLE FOR 75°C.
13. Caution: Single wall heat exchanger, not suitable for potable water connection.

6.APPENDIX

(2) Cable specification

1. Single phase unit

Nameplate maximum current	Phase line	Earth line	MCB	Creepage protector	Signal line
No more than 13A	$2 \times 1.5\text{mm}^2$	1.5mm^2	20A	30mA less than 0.1 sec	$n \times 0.5\text{mm}^2$
13~25A	$2 \times 4\text{mm}^2$	4mm^2	40A	30mA less than 0.1 sec	
25~30A	$2 \times 6\text{mm}^2$	6mm^2	40A	30mA less than 0.1 sec	
30~40A	$2 \times 10\text{mm}^2$	10mm^2	63A	30mA less than 0.1 sec	
40~55A	$2 \times 16\text{mm}^2$	16mm^2	80A	30mA less than 0.1 sec	
55~70A	$2 \times 25\text{mm}^2$	25mm^2	100A	30mA less than 0.1 sec	

2. Three phase unit

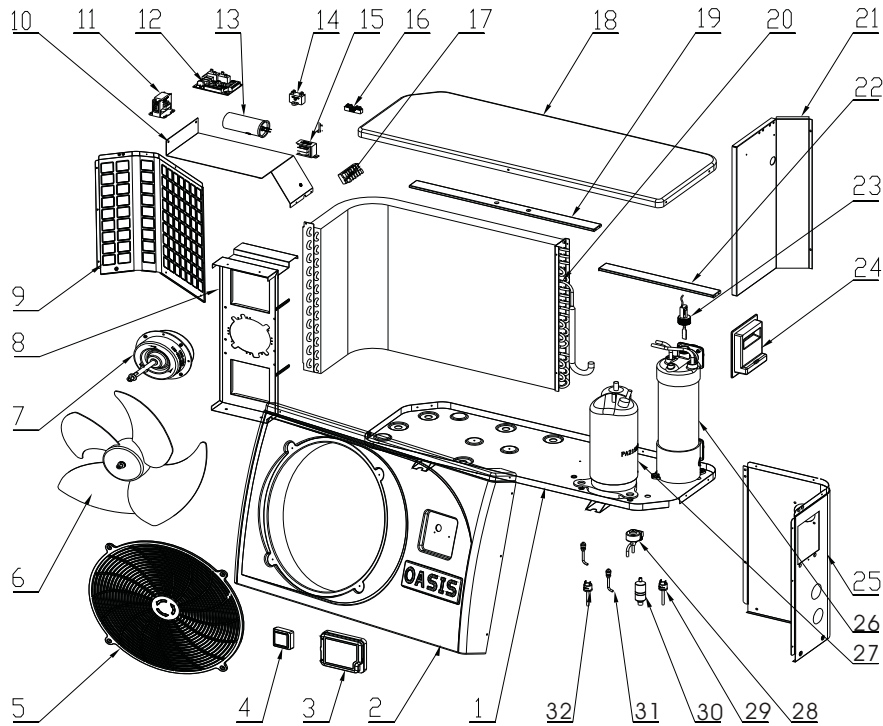
Nameplate maximum current	Phase line	Neutral line	Earth line	MCB	Creepage protector	Signal line
No more than 13A	$3 \times 1.5\text{mm}^2$	1.5mm^2	1.5mm^2	20A	30mA less than 0.1 sec	$n \times 0.5\text{mm}^2$
13~25A	$3 \times 4\text{mm}^2$	4mm^2	4mm^2	40A	30mA less than 0.1 sec	
25~30A	$3 \times 6\text{mm}^2$	4mm^2	6mm^2	40A	30mA less than 0.1 sec	
30~40A	$3 \times 10\text{mm}^2$	4mm^2	10mm^2	63A	30mA less than 0.1 sec	
40~55A	$3 \times 16\text{mm}^2$	4mm^2	16mm^2	80A	30mA less than 0.1 sec	
55~70A	$3 \times 25\text{mm}^2$	4mm^2	25mm^2	100A	30mA less than 0.1 sec	

When the unit will be installed at outdoor, please use the cable which can against UV.

6.APPENDIX

6.2 Explosive view of the unit

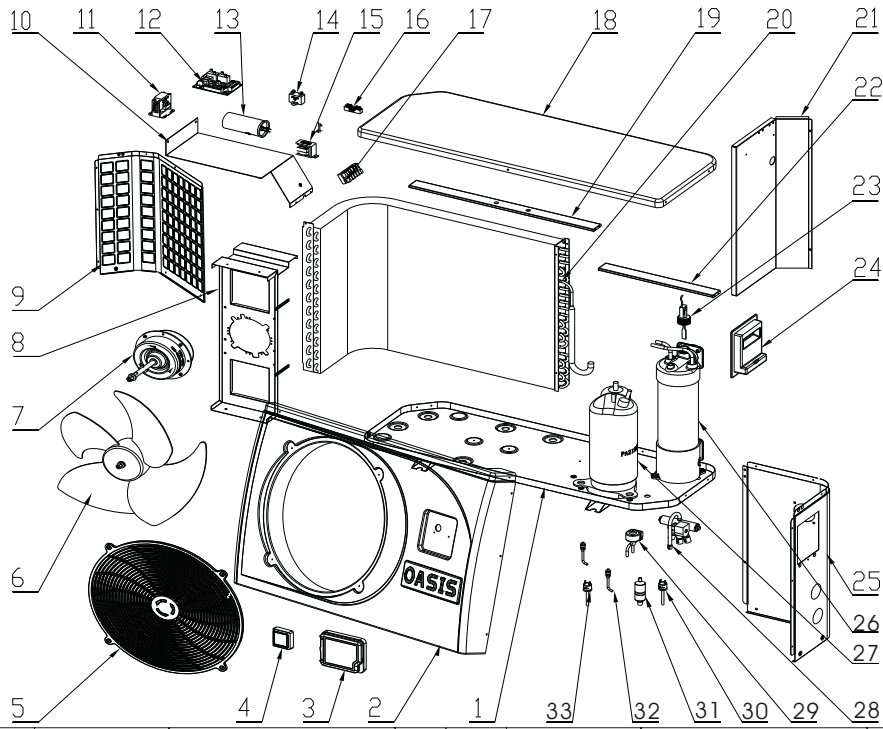
MODEL: EH9h



NO.	Code	Part name	Note	NO.	Code	Part name	Note
1	32012-210267	Chassis		22	32012-210224	Top supportplate 1	
2	32012-210266	Front panel		23	20000-360005	Water flow switch	
3	20000-220068	LED water proofbox		24	20000-220249	Handle	
4	95005-310152	Cm100 touch LCD		25	32012-210269	Right-side panel	
5	20000-220188	Fan protection net		26	32008-120034	Titanium heat exchanger	
6	3500-2701	Axial fan		27	20000-110117	Compressor	
7	3404-3301	Axial fan motor		28	20000-140238	Electronic expansion valve	
8	32012-210229	Fan bracket		29	2000-3603	Pressure switch	
9	32012-210274	Rear Grill		30	2004-1444	Filter(R410A)	
10	32012-210228	Electrical box		31	20000-140150	Pin Valve	
11	2000-3619	Relay		32	2001-3605	Pressure switch	
12	95005-310145	HW200 PC1001					
13	2000-3505	Compressor capacitor					
14	2000-3501	Fan capacitor					
15	20000-370003	Transformer					
16	2000-3909	Two-seat connector					
17	4000-3901	Five-seat connector					
18	32012-210270	Topcover					
19	32012-210225	Top supportplate 2					
20	32012-120030	Fin heat exchanger					
21	32012-210227	Middle separation panel					

6.APPENDIX

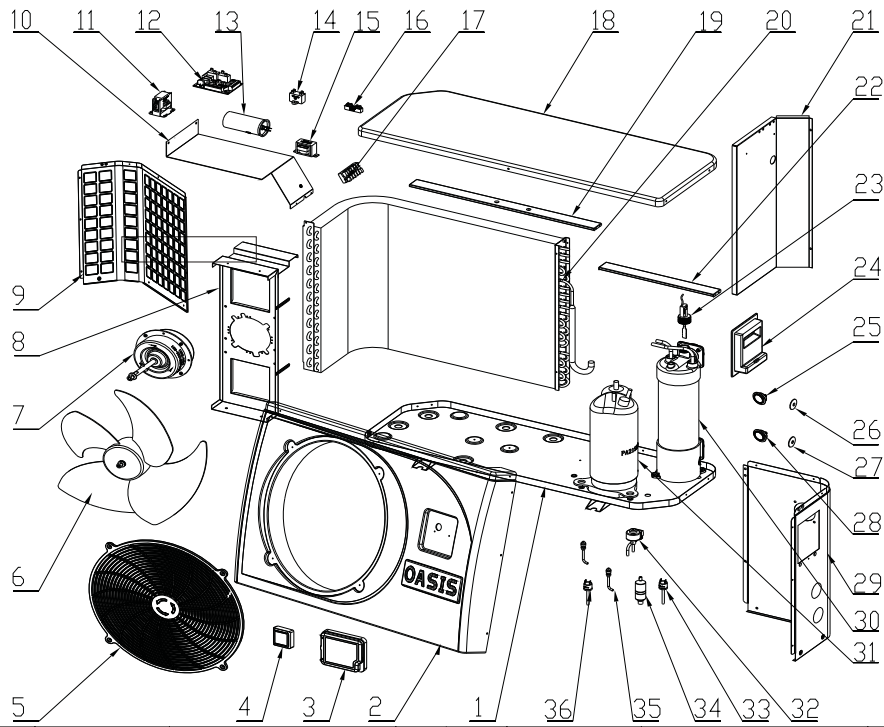
MODEL: EH9bp



NO.	Code	Part name	Note	NO.	Code	Part name	Note
1	32012-210267	Chassis		22	32012-210224	Top supportplate 1	
2	32012-210266	Front panel		23	20000-360005	Water flow switch	
3	20000-220068	LED water proofbox		24	20000-220249	Handle	
4	95005-310152	Cm100 touch LCD		25	32012-210269	Right-side panel	
5	20000-220188	Fan protection net		26	32008-120034	Titanium heat exchanger	
6	3500-2701	Axial fan		27	20000-110117	Compressor	
7	3404-3301	Axial fan motor		28	2001-1418	4-way valve	
8	32012-210229	Fan bracket		29	20000-140238	Electronic expansion valve	
9	32012-210274	Rear Grill		30	2000-3603	Pressure switch	
10	32012-210228	Electrical box		31	2004-1444	Filter(R410A)	
11	2000-3619	Relay		32	20000-140150	Pin Valve	
12	95005-310145	HW200 PC1001		33	2001-3605	Pressure switch	
13	2000-3505	Compressor capacitor					
14	2000-3501	Fan capacitor					
15	20000-370003	Transformer					
16	2000-3909	Two-seat connector					
17	4000-3901	Five-seat connector					
18	32012-210270	Top cover					
19	32012-210225	Top supportplate 2					
20	32012-120030	Fin heat exchanger					
21	32012-210227	Middle separation panel					

6.APPENDIX

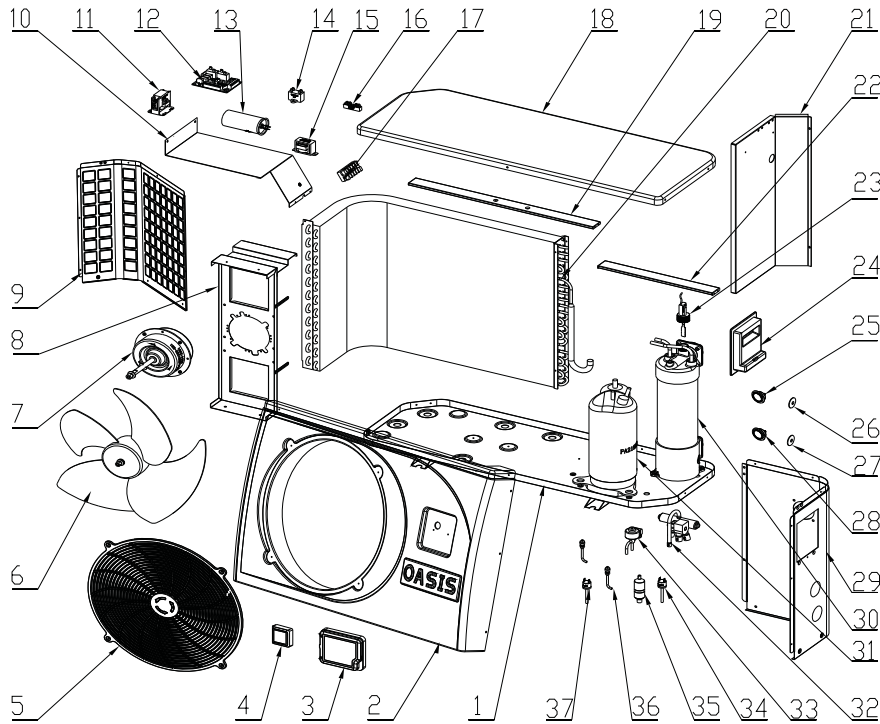
MODEL: Oasis H13bp



NO.	Code	Part name	Note	NO.	Code	Part name	Note
1	32012-210267	Chassis		22	32012-210224	Top supportplate 1	
2	32012-210266	Front panel		23	20000-360005	Water flow switch	
3	20000-220068	LED water proofbox		24	20000-220249	Handle	
4	95005-310152	Cm100 touch LCD		25	2000-2802	Pressure Gauge	
5	20000-220188	Fan protection net		26	2000-1415	Bolt Cap	
6	3500-2701	Axial fan		27	2000-1415	Bolt Cap	
7	3404-3301	Axial fan motor		28	2000-2802	Pressure Gauge	
8	32012-210229	Fan bracket		29	32012-210269	Right-side panel	
9	32012-210274	Rear Grill		30	32012-120041	Titanium heat exchanger	
10	32012-210228	Electrical box		31	20000-110134	Compressor	
11	20000-360006	Single-phase AC Contactor		32	20000-140234	Electronic expansion valve	
12	95005-310145	HW200 PC1001		33	2000-3603	Pressure switch	
13	2000-3505	Compressor capacitor		34	2004-1444	Filter(R410A)	
14	2000-3501	Fan capacitor		35	20000-140150	Pin Valve	
15	20000-370003	Transformer		36	2001-3605	Pressure switch	
16	2000-3909	Two-seat connector					
17	4000-3901	Five-seat connector					
18	32012-210270	Topcover					
19	32012-210225	Top supportplate 2					
20	32012-120029	Fin heat exchanger					
21	32012-210227	Middle separation panel					

6.APPENDIX

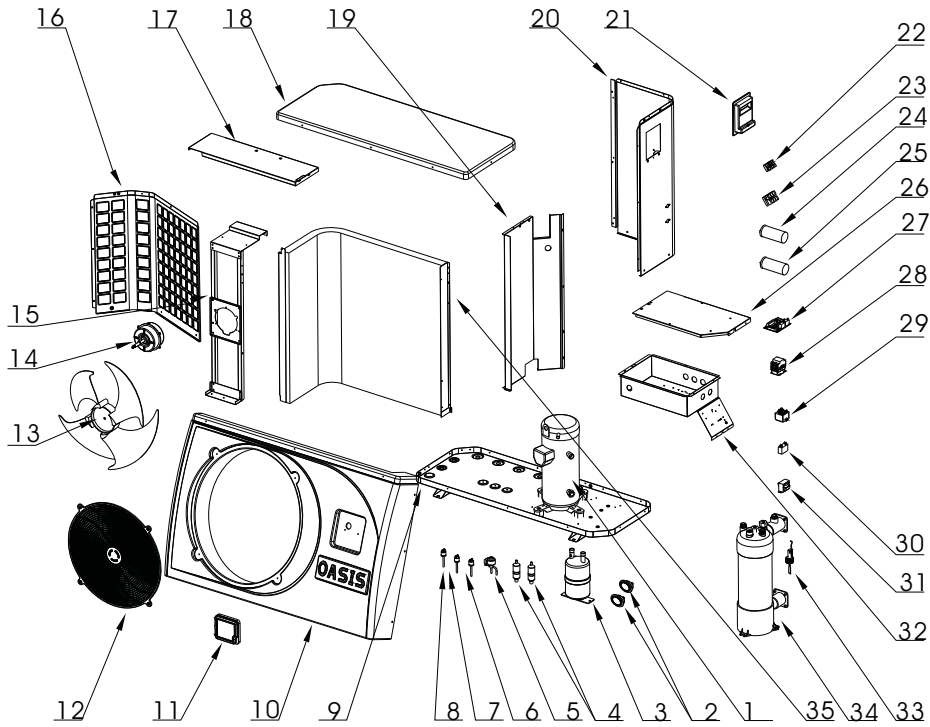
MODEL: Oasis C13bp



NO.	Code	Part name	Note	NO.	Code	Part name	Note
1	32012-210267	Chassis		22	32012-210224	Top supportplate 1	
2	32012-210266	Front panel		23	20000-360005	Water flow switch	
3	20000-220068	LED water proof box		24	20000-220249	Handle	
4	95005-310152	Cm100 touch LCD		25	2000-2802	Pressure Gauge	
5	20000-220188	Fan protection net		26	2000-1415	Bolt Cap	
6	3500-2701	Axial fan		27	2000-1415	Bolt Cap	
7	3404-3301	Axial fan motor		28	2000-2802	Pressure Gauge	
8	32012-210229	Fan bracket		29	32012-210269	Right-side panel	
9	32012-210274	Rear Grill		30	32012-120041	Titanium heat exchanger	
10	32012-210228	Electrical box		31	20000-110134	Compressor	
11	20000-360006	Single-phase AC Contactor		32	2004-1437	4-way valve	
12	95005-310145	HW200 PC1001		33	20000-140234	Electronic expansion valve	
13	2000-3505	Compressor capacitor		34	2000-3603	Pressure switch	
14	2000-3501	Fan capacitor		35	2004-1444	Filter(R410A)	
15	20000-370003	Transformer		36	20000-140150	Pin Valve	
16	2000-3909	Two-seat connector		37	2001-3605	Pressure switch	
17	4000-3901	Five-seat connector					
18	32012-210270	Top cover					
19	32012-210225	Top supportplate 2					
20	32012-120029	Fin heat exchanger					
21	32012-210227	Middle separation panel					

6.APPENDIX

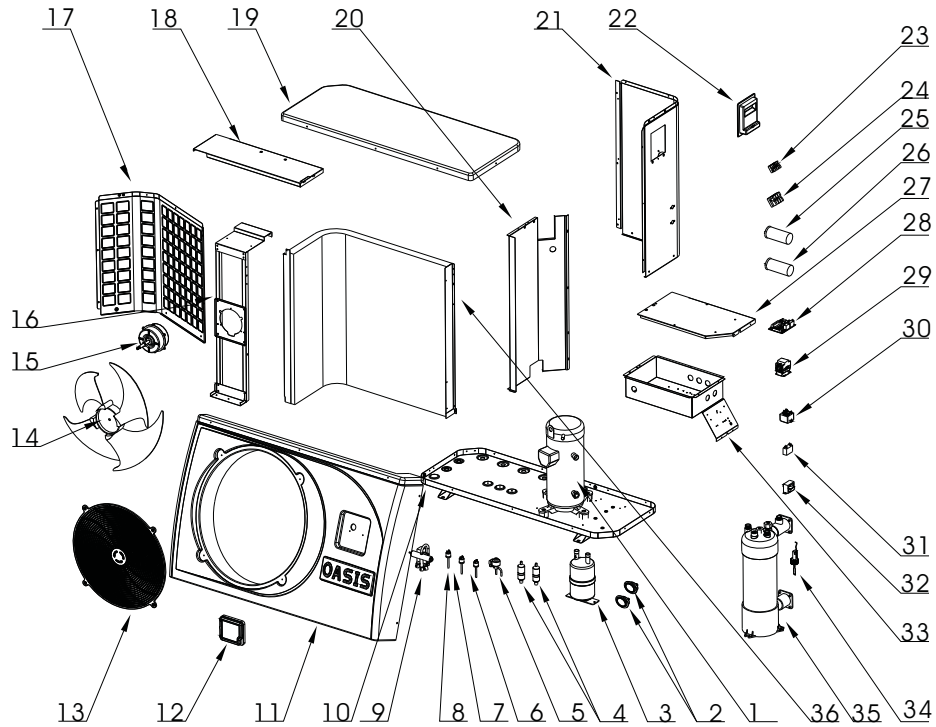
MODEL: Oasis H17bp



NO.	Code	Part name	Note	NO.	Code	Part name	Note
1	20000-110208	Compressor		22	2000-3920	Three-seat connector	
2	2000-2802	Pressure Gauge		23	2000-3933	Three-seat connector	
3	3500-1401	Liquid-gas separator		24	20000-350004	Compressor capacitor	
4	2004-1444	Filter		25	2000-3524	Compressor capacitor	
5	20000-140236	Electronic expansion valve		26	32009-210118	Cover of electrical box	
6	2000-3603	Pressure switch		27	95005-310145	Main controller	
7	2001-3605	Pressure switch		28	20000-360007	AC contactor	
8	20000-140153	Pin Valve		29	2000-3676	Start relay	
9	32009-210247	Chassis		30	2000-3509	Fan capacitor	
10	32009-210246	Front panel		31	20000-370003	Transformer	
11	95005-310152	Wire controller		32	32009-210117	Electrical box	
12	20000-220169	Fan protection net		33	20000-360005	Water flow switch	
13	20000-270004	Axial fan		34	32009-120025	Titanium heat exchanger	
14	20000-330134	Axial fan motor		35	32009-120021	Fin heat exchanger	
15	32009-210204	Fan bracket					
16	32009-210253	Rear Grill					
17	32009-210025	Support panel					
18	32009-210250	Top cover					
19	32009-210220	Middle separation panel					
20	32009-210249	Right-side panel					
21	20000-220249	Junction box					

6.APPENDIX

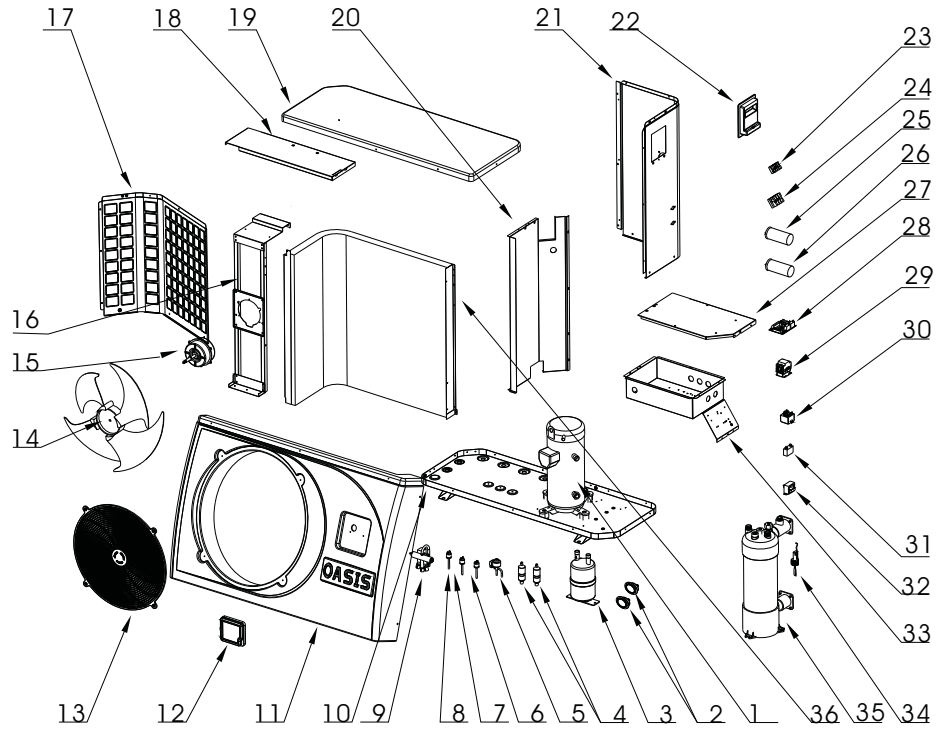
MODEL: Oasis C17bp



NO.	Code	Part name	Note	NO.	Code	Part name	Note
1	20000-110208	Compressor		22	20000-220249	Junction box	
2	2000-2802	Pressure Gauge		23	2000-3920	Three-seat connector	
3	3500-1401	Liquid-gas separator		24	2000-3933	Three-seat connector	
4	2004-1444	Filter		25	20000-350004	Compressor capacitor	
5	20000-140236	Electronic expansion valve		26	2000-3524	Compressor capacitor	
6	2000-3603	Pressure switch		27	32009-210118	Cover of electrical box	
7	2001-3605	Pressure switch		28	95005-310145	Main controller	
8	20000-140153	Pin Valve		29	20000-360007	AC contactor	
9	2004-1437	4-way valve		30	2000-3676	Start relay	
10	32009-210247	Chassis		31	2000-3509	Fan capacitor	
11	32009-210246	Front panel		32	20000-370003	Transformer	
12	95005-310152	Wire controller		33	32009-210117	Electrical box	
13	20000-220169	Fan protection net		34	20000-360005	Water flow switch	
14	20000-270004	Axial fan		35	32009-120025	Titanium heat exchanger	
15	20000-330134	Axial fan motor		36	32009-120021	Fin heat exchanger	
16	32009-210204	Fan bracket					
17	32009-210253	Rear Grill					
18	32009-210025	Support panel					
19	32009-210250	Topcover					
20	32009-210220	Middle separation panel					
21	32009-210249	Right-side panel					

6.APPENDIX

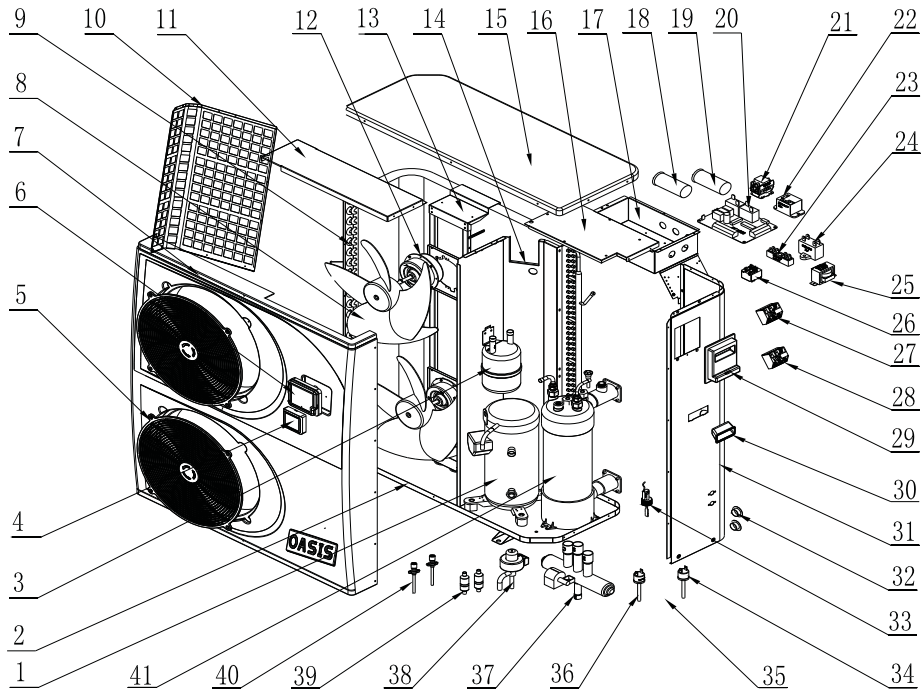
MODEL: Oasis C21bp



NO.	Code	Part name	Note	NO.	Code	Part name	Note
1	20000-110112	Compressor		22	20000-220249	Junction box	
2	2000-2802	Pressure Gauge		23	2000-3920	Three-seat connector	
3	3500-1401	Liquid-gas separator		24	2000-3933	Three-seat connector	
4	2004-1444	Filter		25	20000-350004	Compressor capacitor	
5	20000-140151	Electronic expansion valve		26	2000-3510	Compressor capacitor	
6	2000-3603	Pressure switch		27	32009-210118	Cover of electricalbox	
7	2001-3605	Pressure switch		28	95005-310145	Main controller	
8	20000-140153	Pin Valve		29	20000-360007	AC contactor	
9	2001-1491	4-way valve		30	2000-3676	Start relay	
10	32009-210247	Chassis		31	2000-3509	Fan capacitor	
11	32009-210246	Front panel		32	20000-370003	Transformer	
12	95005-310152	Wire controller		33	32009-210021	Electrical box	
13	20000-220169	Fan protection net		34	20000-360005	Water flow switch	
14	20000-270004	Axial fan		35	32010-120012	Titanium heat exchanger	
15	20000-330134	Axial fan motor		36	32010-120016	Fin heat exchanger	
16	32009-210204	Fan bracket					
17	32009-210253	Rear Grill					
18	32009-210025	Support panel					
19	32009-210250	Top cover					
20	32010-210019	Middle separation panel					
21	32009-210249	Right-side panel					

6.APPENDIX

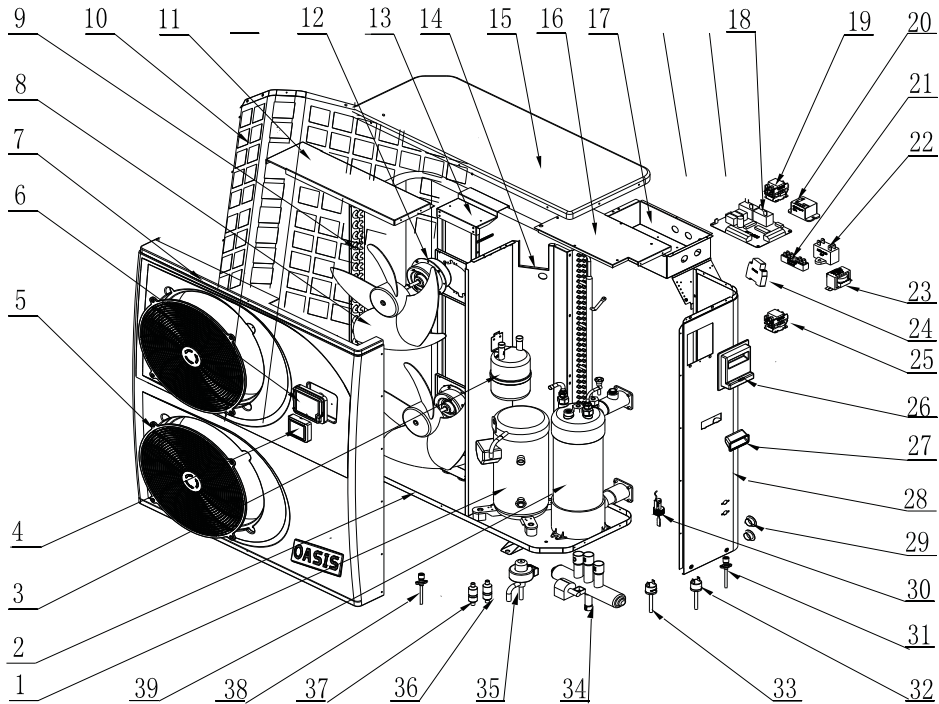
MODEL: Oasis C25sbp



NO.	Code	Part name	Note	NO.	Code	Part name	Note
1	20000-110119	Compressor		22	2000-3619	Relay	
2	32019-210045	Chassis		23	2000-3909	two-seat connector	
3	2000-1440	Flash chamber		24	2000-3501	Fan capacitor	
4	95005-310152	CM103		25	20000-370003	Transformer	
5	20000-220188	Fan protection net		26	2000-3676	Start relay	
6	20000-220068	LED water proof box(FN)		27	2000-3920	Three-seat bracket	
7	32019-210044	Front panel		28	2000-3933	Three-seat bracket	
8	3500-2701	Axial fan		29	20000-220249	Junction Box	
9	32018-120007	Fin heat exchanger		30	20001-220001	Handle	
10	32018-210086	Rear Grill		31	32019-210047	Right-side panel	
11	32018-210075	Support panel		32	20000-220013	Water pipe cap	
12	3404-3301	Axial fan motor		33	20000-360005	Water flow switch	
13	32018-210057	Fan bracket		34	2000-1404	Pressure switch	
14	32018-210046	Middle separation panel		35	2000-3602	pressure switch	
15	32019-210048	Top cover		36	2000-3603	pressure switch	
16	32018-210051	Cover of electrical box		37	2001-1491	4-Way valve	
17	32018-210053	Electrical box		38	20000-140177	Electronic expansion valve	
18	2000-3524	compressor capacitor		39	2000-1406	Filter (R410A)	
19	2000-3527	Compressor capacitor		40	2000-2802	Needle valve	
20	95005-310145	Pc1001		41	32018-120008	Titanium heat exchanger	
21	20000-360007	AC contactor					

6.APPENDIX

MODEL: Oasis C25b p



NO.	Code	Part name	Note	NO.	Code	Part name	Note
1	20000-110140	Compressor		22	2000-3501	Fan capacitor	
2	32019-210045	Chassis		23	20000-370003	Transformer	
3	2000-1440	Flash chamber		24	20000-360023	3-phase AC Relay	
4	95005-310152	CM103		25	2001-3602	AC contactor	
5	20000-220188	Fan protection net		26	20000-220249	Junction Box	
6	20000-220068	LED water proof box(FN)		27	20001-220001	Handle	
7	32019-210044	Front panel		28	32019-210047	Right-side panel	
8	3500-2701	Axial fan		29	20000-220013	Water pipe cap	
9	32018-120007	Fin heat exchanger		30	20000-360005	Water flow switch	
10	32018-210086	Rear Grill		31	2000-1404	Pin Valve	
11	32018-210075	Support panel		32	2001-3605	pressure switch	
12	3404-3301	Axial fan motor		33	2000-3603	pressure switch	
13	32018-210057	Fan bracket		34	2001-1491	4-Way valve	
14	32018-210046	Middle separation panel		35	20000-140177	Electronic expansion valve	
15	32019-210048	Top cover		36	20000-140027	Filter (R410A)	
16	32018-210051	Cover of electrical box		37	2004-1444	Filter (R410A)	
17	32018-210053	Electrical box		38	2000-2802	Needle valve	
18	95005-310145	Pc1001		39	32018-120008	Titanium heat exchanger	
19	2000-3653	AC contactor		40			
20	2000-3619	Relay		41			
21	2000-3909	two-seat connector		42			

Code 20140723-0002