

# NOCCHI Multi EVO-A

## SELF-PRIMING CENTRIFUGAL MULTISTAGE ELECTRIC PUMPS

**NEW 2016**  
PENTAIR



Multi EVO-A is an horizontal multistage centrifugal electric pump with an axial threaded suction port and a radial threaded discharge port. The innovative, high-efficiency hydraulic system is connected to a latest generation motor with mechanical seal.  
All models are certified for use with household water (ACS and DM174)

### ADVANTAGES

Electric pumps in the Multi EVO series offer the following advantages:

- High-level reliability - thanks to the resistant and innovative design
- Silent operation - improved user comfort thanks to its silent operation
- Compact form
- Wide range of performance levels for the residential market.
- Excellent priming capacity.

### SPECIFICATIONS:

#### PUMP

- Hydraulic performance conforms to ISO 9906:2012 - Grade 3B
- Type of liquid: clean water with no suspended solids or abrasive material
- Maximum liquid temperature 50°C
- Maximum operating pressure 8 bar

#### MOTORE

- Enclosed, air ventilated (TEFC)
- 2 poles, 50 Hz (n=2850 rpm)
- IE3 three-phase AC (P2 ≥ 0.75 kW)
- Protection class: IP55
- Insulation class: F
- Maximum room temperature 40°C
- Single phase power supply with permanently inserted condenser and thermal protection incorporated into motor winding

#### APPLICATIONS

- Pressurization and supply
- Irrigation



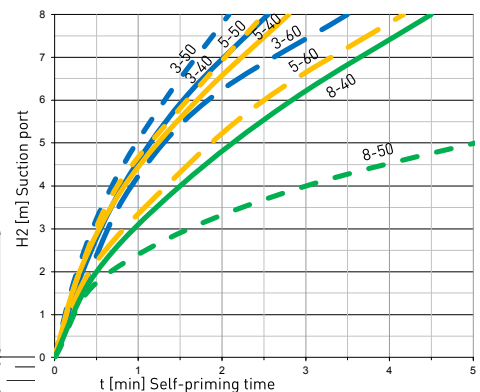
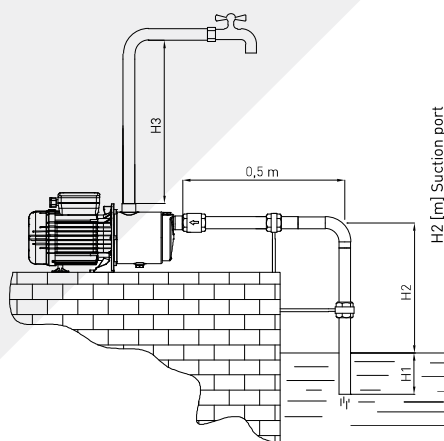
### SELF-PRIMING CAPACITY

H<sub>2</sub>O, T = 20°C,

P<sub>a</sub> = 1000 hPa (mbar)

H<sub>3</sub> = vertical section

H <sub>2</sub> (m)	H <sub>3</sub> (m) minimum							
	3-40	3-50	3-60	5-40	5-50	5-60	8-40	8-50
2	0,15	0,15	0,15	0,15	0,15	0,15	0,25	0,3
4	0,15	0,15	0,35	0,15	0,15	0,35	0,25	0,6
6	0,15	0,15	0,55	0,15	0,15	0,65	0,3	
8	0,55	0,35	0,55	0,45	0,55	0,65	0,65	



• Re-utilization of rainwater

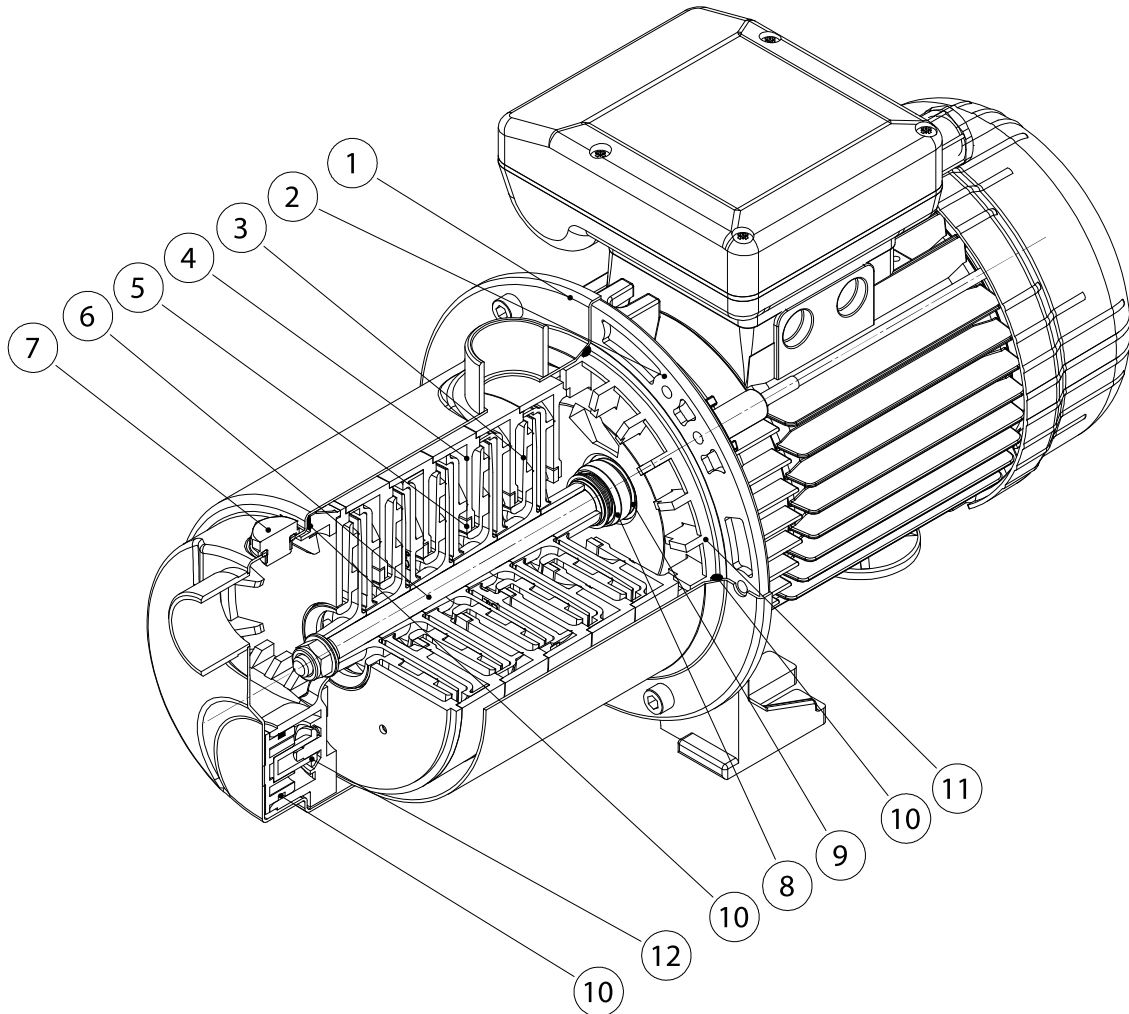
• Cleaning systems



# NOCCHI Multi EVO-A

## SELF-PRIMING CENTRIFUGAL MULTISTAGE ELECTRIC PUMPS

### DESIGN FEATURES



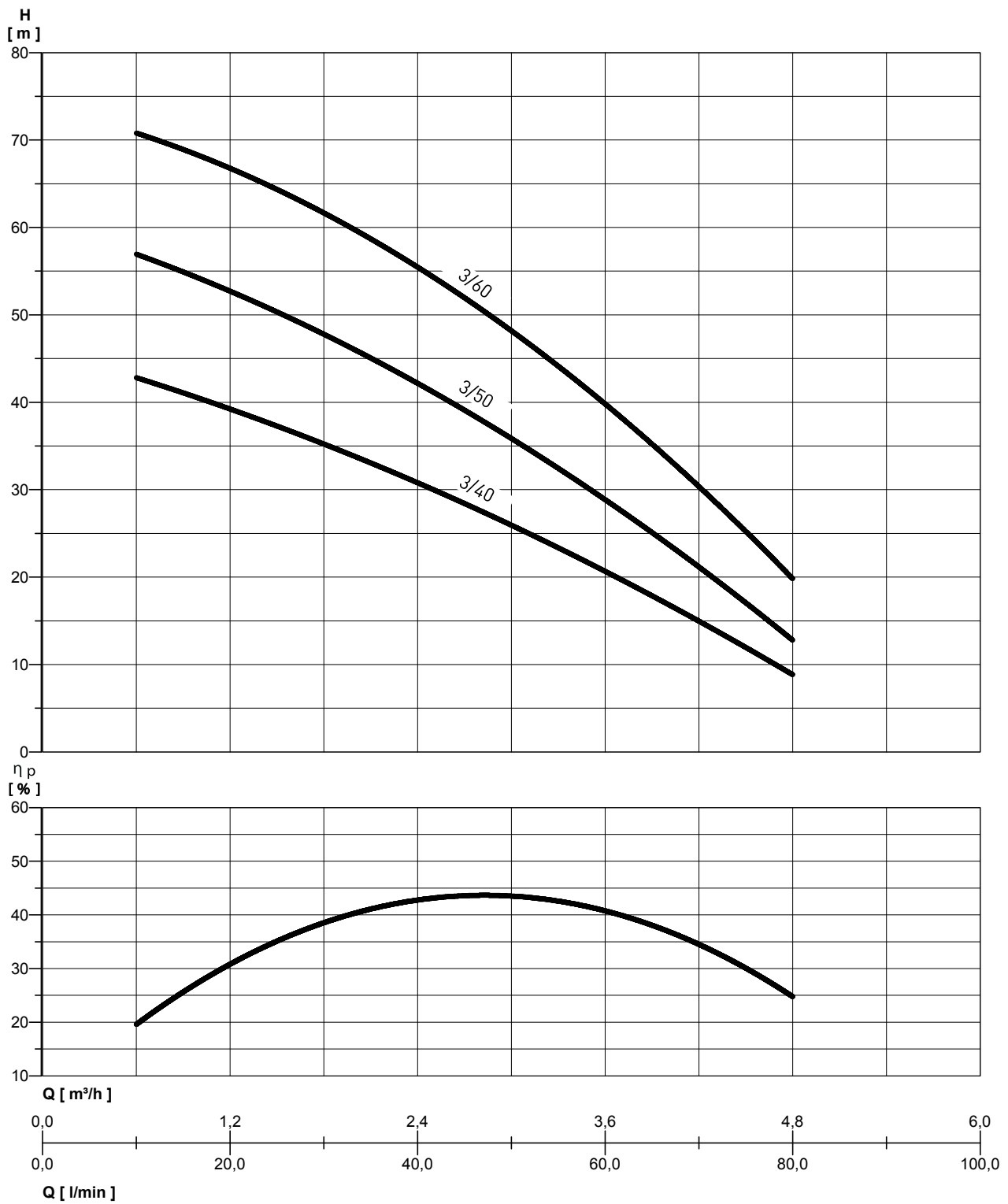
### TABLE OF MATERIALS

Ref.	Component	Material
1	Pump body	Stainless steel Europe: EN10088-1 X5CrNi18-10 (1.4301) USA: AISI 304
2	Motor casing	Die-cast aluminium
3	Impeller	Fibreglass reinforced PPO
4	Diffuser	Fibreglass reinforced PPO
5	Wear ring	PTFE
6	Shaft (hydraulic part)	Stainless steel Europe: EN10088-1 X5CrNi18-10 (1.4301) USA: AISI 304
7	Inlet / outlet caps	Stainless steel Europe: EN10088-1 X8CrNiS18-9 (1.4305) USA: AISI 303
8	Mechanical seal	Carbon graphite / NBR / SS Europe: EN10088-1 X5CrNi18-10 (1.4301) USA: AISI 304
9	Counterface	Ceramic / NBR
10	Gaskets	NBR 70 Shore A
11	Seal holder plate	Fibreglass reinforced PPO
12	Self-priming valve	Fibreglass reinforced PPO

# NOCCHI Multi EVO-A 3

## SELF-PRIMING CENTRIFUGAL MULTISTAGE ELECTRIC PUMPS

### HYDRAULIC PERFORMANCE



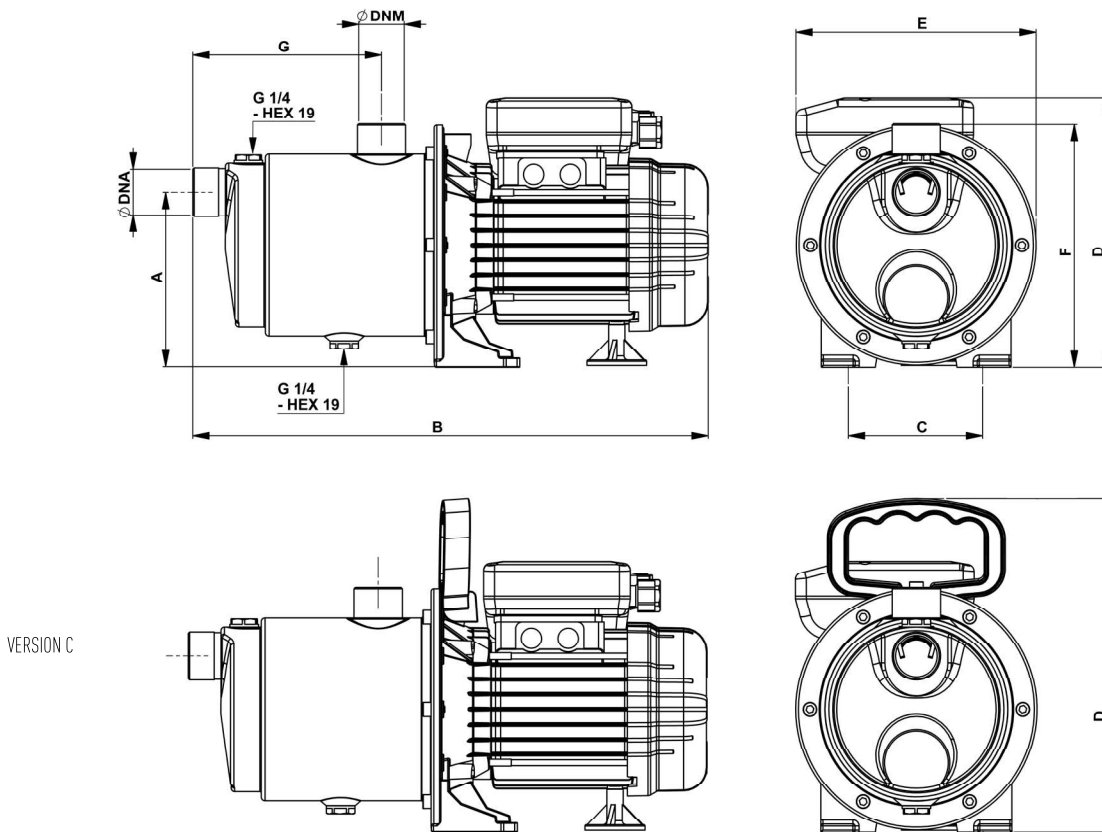
# NOCCHI Multi EVO-A 3

## SELF-PRIMING CENTRIFUGAL MULTISTAGE ELECTRIC PUMPS

### PERFORMANCE TABLE

MODEL	Nominal power (P2)		Absorbed power (P1)		Voltage (V)	In (A)	μF	Q	Total head in metres water column								
	HP	kW	HP	kW					l/min	10	20	30	40	50	60	80	
								m <sup>3</sup> /h	0,6	1,2	1,8	2,4	3	3,6	4,8		
Multi EVO-A 3-40 M	0,68	0,51	1,1	0,8	1 ~ 230	3,7	12,5	Total head in metres water column									
Multi EVO-A 3-40 M-C *	0,68	0,51	1,1	0,8	1 ~ 230	3,7	12,5		42,5	39,5	35,5	31	25,5	20,5	9		
Multi EVO-A 3-40 T	0,71	0,53	1,05	0,78	3 ~ 230/400	2,7 / 1,55	---										
Multi EVO-A 3-50 M	0,94	0,7	1,34	1	1 ~ 230	4,4	16		56,5	53	48,5	42	35,5	28,6	13		
Multi EVO-A 3-50 T	0,94	0,7	1,34	1	3 ~ 230/400	3,3 / 1,9	---										
Multi EVO-A 3-60 M	1,2	0,9	1,68	1,25	1 ~ 230	5,7	20		70,5	67	62	55,5	48	39,5	20		
Multi EVO-A 3-60 T	1,1	0,82	1,57	1,17	3 ~ 230/400	3,5 - 2	---										

\* Version with cable, sleeve and schuko plug.



### OVERALL DIMENSIONS AND WEIGHTS

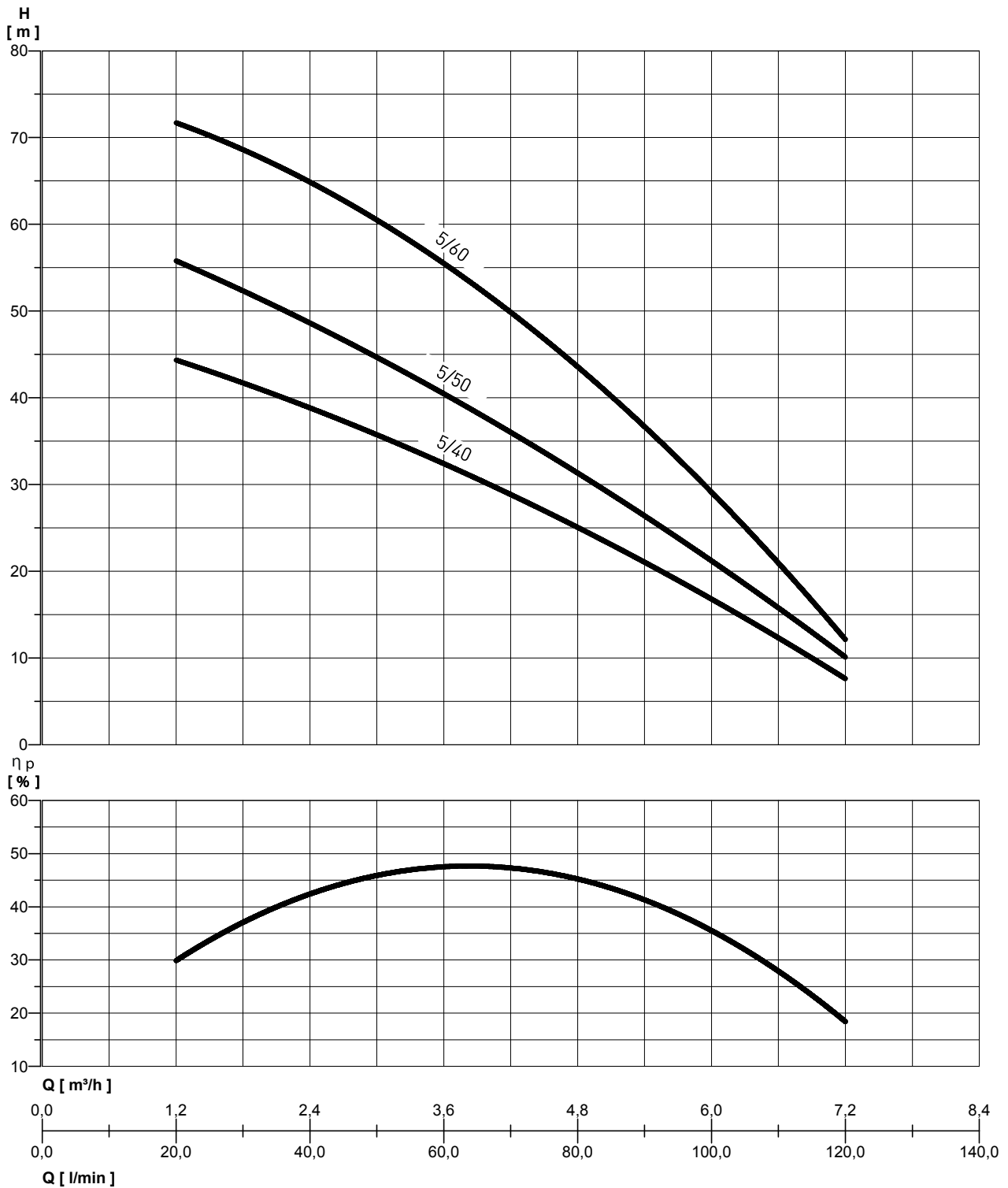
MODEL	Dimensions mm.									Weight (Kg)
	A	B	C	D	E	F	G	DNA	DNM	
Multi EVO-A 3-40 M	129	380	100	199	177	180	139	1"	1"	7,3
Multi EVO-A 3-40 T	129	380	100	199	177	180	139	1"	1"	7,3
Multi EVO-A 3-40 M-C*	129	380	100	245	177	180	139	1"	1"	7,6
Multi EVO-A 3-50 M	129	422	100	207	177	180	162	1"	1"	9,3
Multi EVO-A 3-50 T	129	422	100	207	177	180	162	1"	1"	9,3
Multi EVO-A 3-60 M	129	422	100	207	177	180	162	1"	1"	10,8
Multi EVO-A 3-60 T	129	422	100	207	177	180	162	1"	1"	10,8

\* Version with cable, sleeve and schuko plug.

# NOCCHI Multi EVO-A 5

## SELF-PRIMING CENTRIFUGAL MULTISTAGE ELECTRIC PUMPS

### HYDRAULIC PERFORMANCE



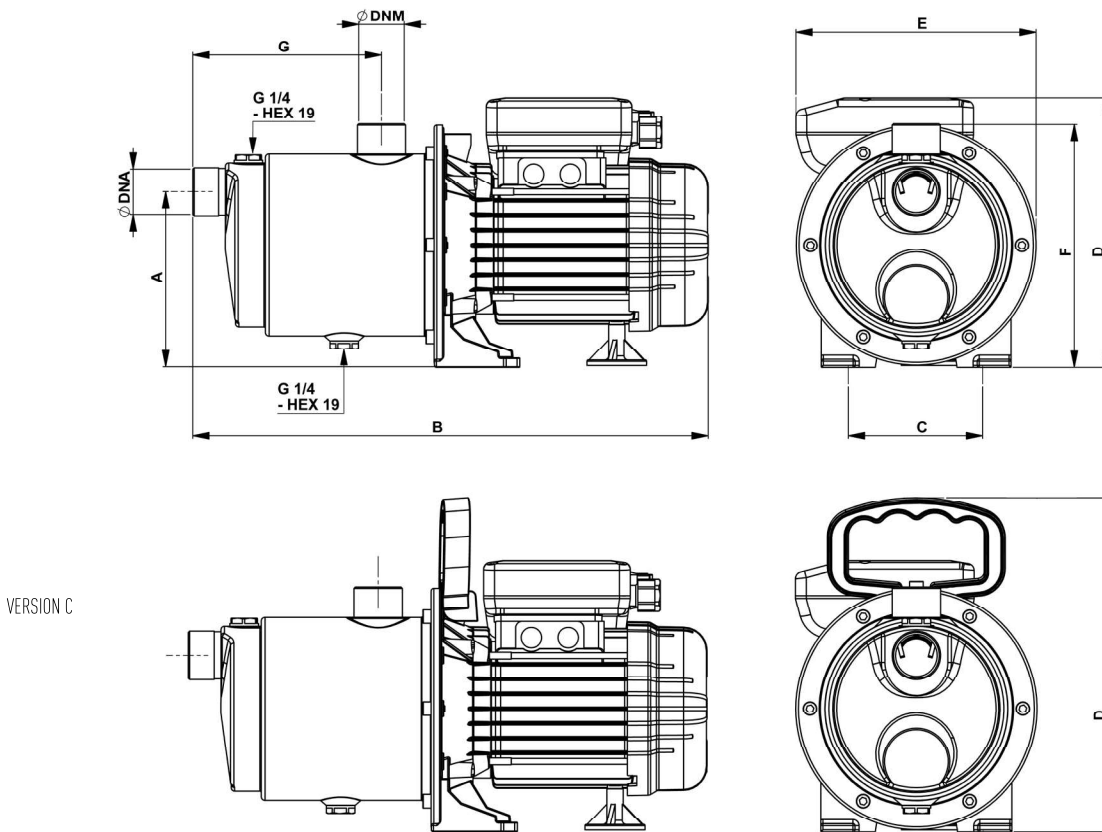
# NOCCHI Multi EVO-A 5

## SELF-PRIMING CENTRIFUGAL MULTISTAGE ELECTRIC PUMPS

### PERFORMANCE TABLE

MODEL	Nominal power (P2)		Absorbed power (P1)		Voltage (V)	In (A)	µF	Q	total head in metres water column										
	HP	kW	HP	kW					l/min	20	30	40	50	60	80	100	120		
									m <sup>3</sup> /h	1,2	1,8	2,4	3	3,6	4,8	6	7,2		
Multi EVO-A 5-40 M	1	0,75	1,5	1,1	1 ~ 230	4,7	16	total head in metres water column											
Multi EVO-A 5-40 T	1	0,75	1,5	1,1	3 ~ 230/400	3,4 / 2	---		44,5	41,5	39	35,5	32,5	25	17	7,5			
Multi EVO-A 5-50 M	1,27	0,95	1,8	1,35	1 ~ 230	6,2	20												
Multi EVO-A 5-50 M-C *	1,27	0,95	1,8	1,35	1 ~ 230	6,2	20		56	52	48,5	45	40,5	31	21,5	10			
Multi EVO-A 5-50 T	1,2	0,9	1,68	1,25	3 ~ 230/400	3,7 / 2,1	---												
Multi EVO-A 5-60 M	1,6	1,2	2,2	1,65	1 ~ 230	7,5	31,5												
Multi EVO-A 5-60 T	1,6	1,2	2,1	1,57	3 ~ 230/400	5,3 / 3,1	---		71,5	68,5	65	61	55,5	43,5	28,5	12,5			

\* Version with cable, sleeve and schuko plug.



### OVERALL DIMENSIONS AND WEIGHTS

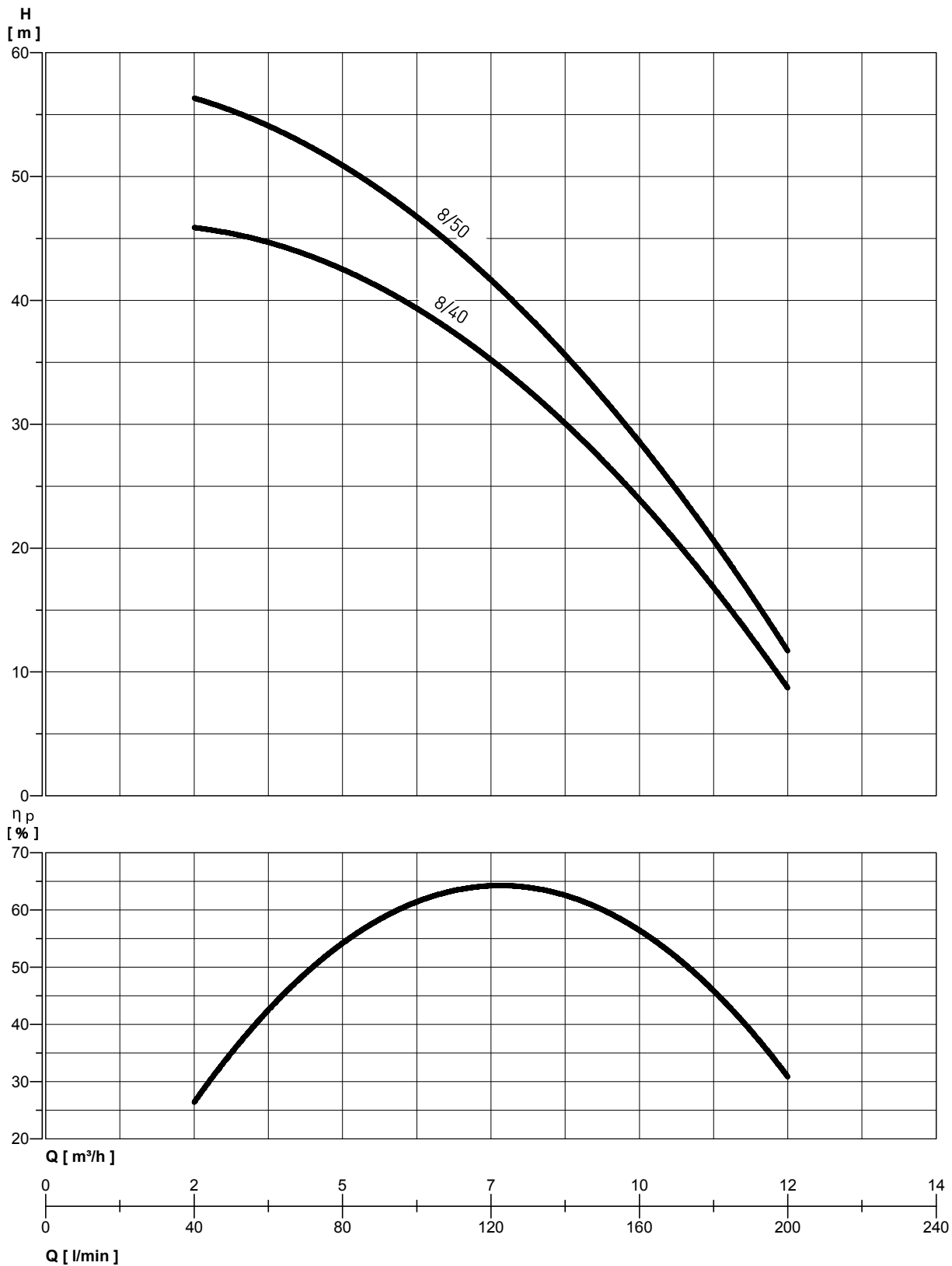
MODEL	Dimensions mm.									Weight (Kg)
	A	B	C	D	E	F	G	DNA	DNM	
Multi EVO-A 5-40 M	129	400	100	207	177	180	139	1"	1"	9
Multi EVO-A 5-40 T	129	400	100	207	177	180	139	1"	1"	9
Multi EVO-A 5-50 M	129	422	100	207	177	180	162	1"	1"	10,6
Multi EVO-A 5-50 T	129	422	100	207	177	180	162	1"	1"	10,6
Multi EVO-A 5-50 M-C*	129	422	100	245	177	180	162	1"	1"	11
Multi EVO-A 5-60 M	129	457	100	215	203	180	162	1"	1"	13,5
Multi EVO-A 5-60 T	129	457	100	215	177	180	162	1"	1"	13,5

\* Version with cable, sleeve and schuko plug.

# NOCCHI Multi EVO-A 8

## SELF-PRIMING CENTRIFUGAL MULTISTAGE ELECTRIC PUMPS

### HYDRAULIC PERFORMANCE

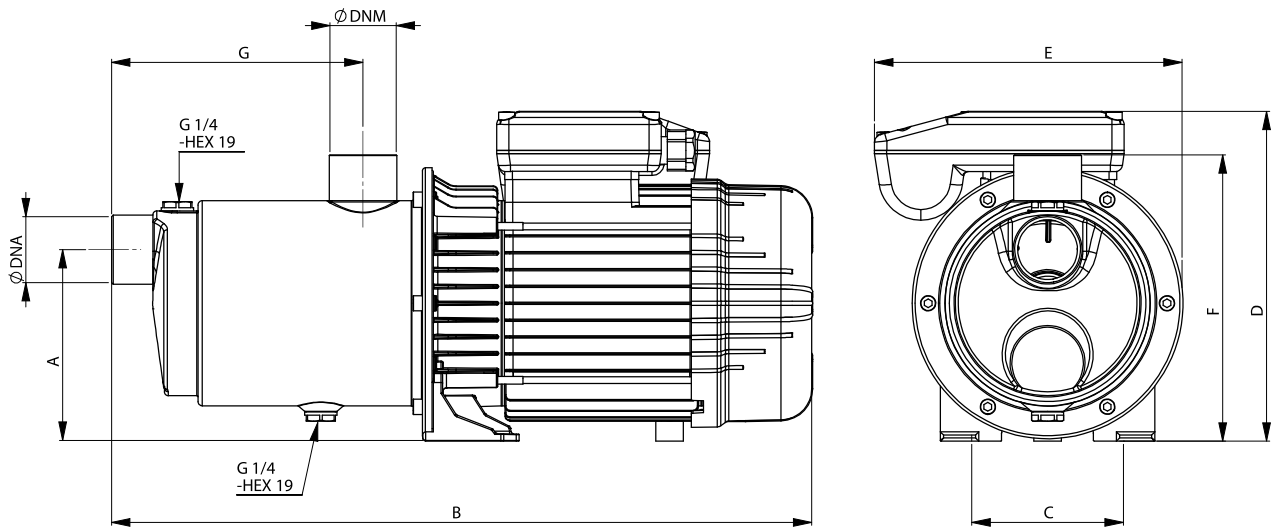


# NOCCHI Multi EVO-A 8

## SELF-PRIMING CENTRIFUGAL MULTISTAGE ELECTRIC PUMPS

### PERFORMANCE TABLE

MODEL	Nominal power (P2)		Absorbed power (P1)		Voltage (V)	In (A)	μF	Q																								
	HP	kW	HP	kW					L/min	40	50	60	80	100	120	140	160	180	200													
									m <sup>3</sup> /h		2,4	3	3,6	4,8	6	7,2	8,4	9,6	10,8	12												
Multi EVO-A 8-40 M	1,6	1,2	2,23	1,66	1 - 230	7,7	31,5	total head in metres water column	46	46	45	42	40	36	30	24	17	9														
Multi EVO-A 8-40 T	1,6	1,18	2	1,5	3 ~ 230/400	5 - 2,95	---																									
Multi EVO-A 8-50 M	1,9	1,4	2,7	2	1 - 230	9	35														56,5	55	54	51	47	42	36	28	21	12		
Multi EVO-A 8-50 T	1,9	1,4	2,6	1,95	3 ~ 230/400	6,7 - 4	---																									



### OVERALL DIMENSIONS AND WEIGHTS

MODEL	Dimensions mm.									Weight (Kg)
	A	B	C	D	E	F	G	DNA	DNM	
Multi EVO-A 8-40 M	125	457	100	215	203	187	164	1" 1/4	1" 1/4	13,5
Multi EVO-A 8-40 T	125	457	100	215	177	187	164	1" 1/4	1" 1/4	13,5
Multi EVO-A 8-50 M	125	457	100	215	203	187	164	1" 1/4	1" 1/4	14,5
Multi EVO-A 8-50 T	125	457	100	215	177	187	164	1" 1/4	1" 1/4	14,5