

WATERCO

Water, the Liquid of Life



Commercial Filters

Micron Commercial Fibreglass Filters

Designed and built for high performance and reliability



Micron Fibreglass Filters

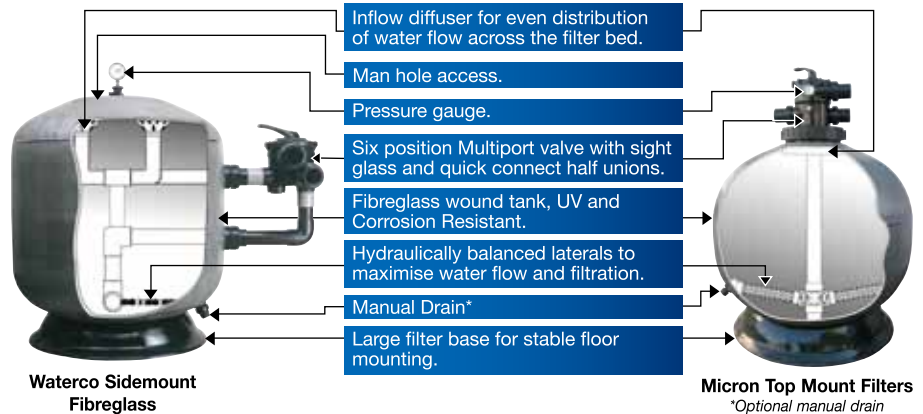
Micron fibreglass filters embody the latest in fibreglass winding technology. Waterco's digitally controlled filament winding machine faultlessly winds continuous strands of high quality fibreglass filament under controlled tension to create a seamless one-piece vessel with refined consistency and superior quality. There are no welds or seams or special tank linings which can corrode or electrolyse.



Manufactured from the highest grade of non corrosive materials and employing the latest in fibreglass winding technology, Micron fibreglass filters are designed and built for many years of trouble free operation.

- Available in top mount, side mount and horizontal configurations from filter areas of 0.87m² to 10.0m².
- Pressure rated at 250 kPa (36 psi), 400 kPa (58 psi), 600 kPa (87psi) and up to 800 kPa (116 psi)
- Optional sight glasses and lateral man holes.
- Optional fibreglass reinforced vinyl ester for improved chemical resistance.

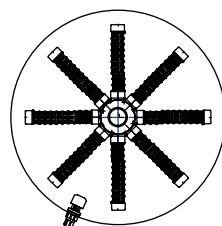
Waterco Micron Top and Sidemount Fibreglass Filters



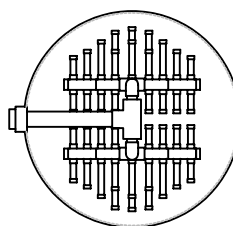
- Maximum working temperature of 50°C (122°F)

Micron "Fish Bone" laterals

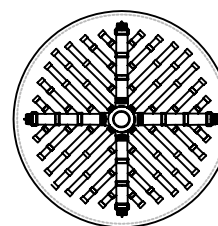
Conventional laterals are not suitable for larger sized commercial filters. "Dead legs" exist between the laterals and water flow is not optimised through the filter bed. Waterco's "Fish Bone" lateral configuration eliminates any "dead legs" by improving water flow distribution through the filter bed.



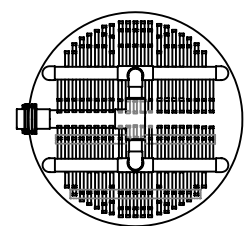
Conventional lateral configuration



Commercial vertical filters with 3" / 80mm ports



Commercial vertical filters with 2 1/2" / 65mm ports as well as the SD1200 and SD1400 with 3" / 80mm ports



Commercial vertical filters with 4" / 100mm, 6" / 150mm, 8" / 200mm ports

Commercial Fibreglass Top Mount Sand Filters

Proven Strength and Durability

COMMERCIAL TOP MOUNT SAND FILTERS

Includes Multiport Valve (2.5 Bar). Higher pressure ratings are available on request.

Part Number	Product Description	Nominal Size
2204265	S1050 c/w 65mm MPV & Barrel Unions	42"
2204865	S1200 c/w 65mm MPV & Barrel Unions	48"
22014816	S1200 c/w 80mm MPV & Barrel Unions	48"

Specifications

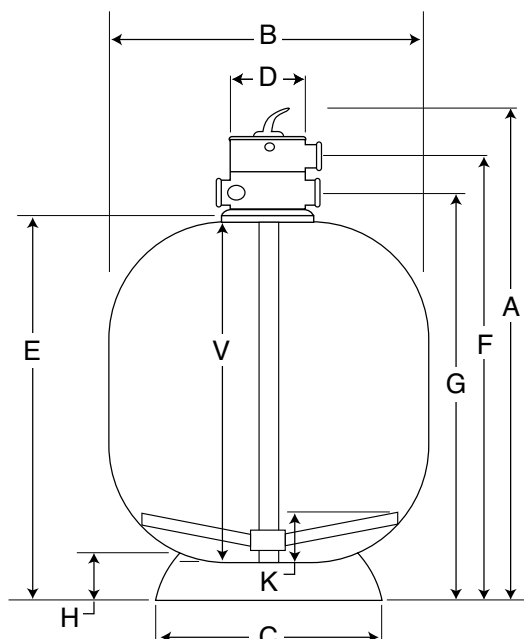
Filter Model	Valve Size	Bed Depth		Inner Diameter			Filter Area		Filtration Flow Rates		Backwash Flow Rates		Media Volume litres	Sand 16/30 Kg	ZeoPlus 1-2.2 Kg
		In	mm	In	mm	In	m ²	feet ²	30m ³ /hr/m ²	36m ³ /hr/m ²	40m ³ /hr/m ²	50m ³ /hr/m ²			
									m ³ /hr		m ³ /hr				
S1000	2.0	480	18.9	1000	39.4	0.79	8.46	24	28	31	39	438	640	526	
S1050	2.5	510	20.1	1050	41.3	0.87	9.33	26	31	35	43	503	735	604	
S1200	2.5	580	22.8	1200	47.2	1.13	12.18	34	41	45	57	736	1075	884	
S1200	3.0	580	22.8	1200	47.2	1.13	12.18	34	41	45	57	760	1110	912	

* Recommended maximum flow rates for port size : 50mm/63mm(EU), 510lpm, 30.6m³/hr
65mm/75mm(EU), 760lpm, 45.6m³/hr



Dimension (mm)

Model	A	B	C	D	E	F	G	H	V	K
S1000	1384	1010	678	220	1034	1204	1104	120	888	164
S1050	1490	1077	1045	264	1090	1316	1183	176	940	163
S1200	1615	1210	1045	264	1215	1441	1308	176	1040	173
S1200	1947	1232	1045	301	1455	1675	1566	176	1200	200



Commercial Fibreglass Sidemount Sand Filters

Proven Strength and Durability



COMMERCIAL SIDEMOUNT SAND FILTERS

Includes Multiport Valve (2.5 Bar). Higher pressure ratings are available on request.

Part Number	Product Description	Nominal Size
22004865	SM1200 (c/w 65mm MPV)	48"
220048	SM1200 c/w 80mm MPV & Barrel Unions	48"
220056	SM1400 c/w 80mm MPV & Barrel Unions	56"
220064	SM1600 c/w 100mm MPV & Barrel Unions	64"

Specifications

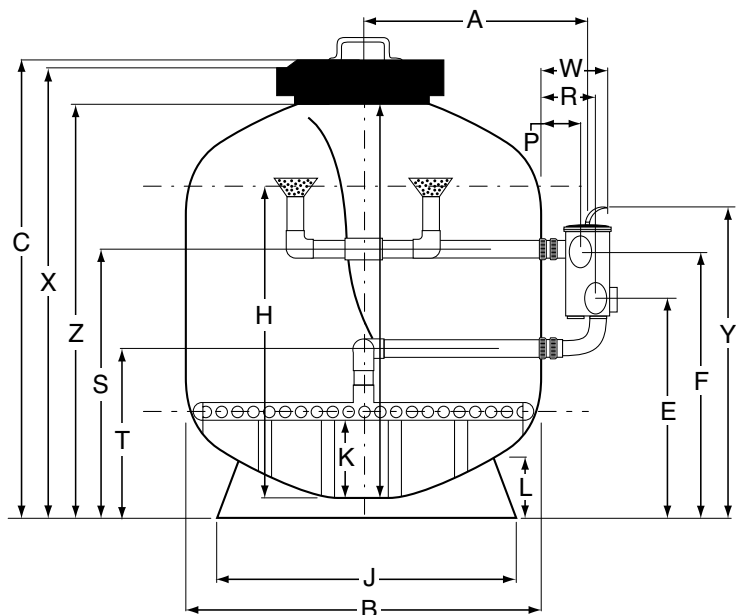
Filter Model	Valve Size	Bed Depth		Inner Diameter		Filter Area		Filtration Flow Rates		Backwash Flow Rates		Media Volume litres	Sand 16/30 Kg	ZeoPlus 1-2.2 Kg
		In	mm	In	mm	m ²	feet ²	30m ³ / hr/m ²	36m ³ / hr/m ²	40m ³ / hr/m ²	50m ³ / hr/m ²			
		In	mm	In	mm	m ²	feet ²	m ³ /hr	m ³ /hr	m ³ /hr	m ³ /hr			
SM1200	2.5	580	22.8	1200	47.3	1.13	12.18	34	41	45	57	705	1030	847
SM1200	3.0	580	22.8	1200	47.3	1.13	12.18	34	41	45	57	705	1030	847
SM1400	3.0	670	26.4	1400	55.2	1.54	16.58	46	55	62	77	1130	1650	1356
SM1600 _100	4.0	670	26.4	1600	63.0	2.01	21.66	60	72	80	101	1483	2165	1779

* Recommended maximum flow rates for port size

: 50mm/63mm(EU), 510lpm, 30.6m³/hr
80mm/90mm(EU), 1080lpm, 64.8m³/hr

Dimension (mm)

Model	A	B	C	W	R	P	E	F	K	V	H	L	X	Y	Z	J	S	T
SM1200	978	1232	1485	510	363	548	952	1062	150	1145	982	176	1400	1334	1330	1045	952	596
SM1400	1083	1442	1608	510	363	548	998	1108	190	1217	1065	218	1523	1380	1453	1202	998	642
SM1600 -100mm	1765	1644	1875	943	474	629	707	369	205	1520	1300	218	1790	707	1720	1202	1139	707



Commercial Fibreglass Sidemount Deep Bed Filters

Proven Strength and Durability

COMMERCIAL SIDEMOUNT DEEP BED FILTERS (SMD)

1000mm filter bed depth (2.5 & 4 Bar) excludes Multiport Valve. Higher pressure ratings are available on request.

Part Number	Product Description	Nominal Size
225010506501	SMD 1050 with 65mm connection 65mm (Tank only 2.5 Bar)	42"
22501050801	SMD 1050 with 80mm connection 80mm (Tank only 2.5 Bar)	42"
22501200801	SMD 1200 with 80mm connection 80mm (Tank only 2.5 Bar)	48"
225012001001	SMD 1200 with 100mm connection 100mm (Tank only 2.5 Bar)	48"
22501400801	SMD 1400 with 80mm connection 80mm (Tank only 2.5 Bar)	56"
22501400101	SMD 1400 with 100mm connection 100mm (Tank only 2.5 Bar)	56"
225016001001	SMD 1600 with 100mm connection 100mm (Tank only 2.5 Bar)	64"
225018001001	SMD 1800 with 100mm connection 100mm (Tank only 2.5 Bar)	72"
22501800151	SMD 1800 with 150mm port 150mm (Tank only 2.5 Bar)	72"
225020001501	SMD 2000 with 150mm port 150mm (Tank only 2.5 Bar)	80"

22501054651	SMD 1050 with 65mm connection 65mm (Tank only 4 Bar)	42"
22501054801	SMD 1050 with 80mm connection 80mm (Tank only 4 Bar)	42"
22501204801	SMD 1200 with 80mm connection 80mm (Tank only 4 Bar)	48"
22501204101	SMD 1200 with 100mm connection 100mm (Tank only 4 Bar)	48"
22501404801	SMD 1400 with 80mm connection 80mm (Tank only 4 Bar)	56"
22501404101	SMD 1400 with 100mm connection 100mm (Tank only 4 Bar)	56"
22501604101	SMD 1600 with 100mm connection 100mm (Tank only 4 Bar)	64"
22501804101	SMD 1800 with 100mm connection 100mm (Tank only 4 Bar)	72"
22501804151	SMD 1800 with 150mm connection 150mm (Tank only 4 Bar)	72"
22502004151	SMD 2000 with 150mm flange 150mm (Tank only 4 Bar)	80"

Specifications

Filter Model	Valve Size	Bed Depth		Inner Diameter			Filter Area		Filtration Flow Rates				Backwash Flow Rates		Media Volume litres	Sand 16/30 Kg	ZeoPlus 1-2.2 Kg
		In	mm	In	mm	In	m ²	feet ²	30m ³ /hr/m ²	36m ³ /hr/m ²	40m ³ /hr/m ²	50m ³ /hr/m ²	40m ³ /hr	50m ³ /hr			
SMD1050	2.5	1000	39.4	1050	41.4	0.87	9.33	26	31	35	43	973	1420	1167			
SMD1050	3.0	1000	39.4	1050	41.4	0.87	9.33	26	31	35	43	966	1410	1159			
SMD1200	2.5	1000	39.4	1200	47.3	1.13	12.18	34	41	45	57	1219	1780	1463			
SMD1200	3.0	1000	39.4	1200	47.3	1.13	12.18	34	41	45	57	1175	1715	1414			
SMD1200	4.0	1000	39.4	1200	47.3	1.13	12.18	34	41	45	57	1192	1740	1430			
SMD1400	3.0	1000	39.4	1400	55.2	1.54	16.58	46	55	62	77	1723	2515	2067			
SMD1400	4.0	1000	39.4	1400	55.2	1.54	16.58	46	55	62	77	1637	2390	1964			
SMD1600	3.0	1000	39.4	1600	63.0	2.01	21.66	60	72	80	101	2171	3170	2605			
SMD1600	4.0	1000	39.4	1600	63.0	2.01	21.66	60	72	80	101	2092	3055	2515			
SMD1600	6.0	1000	39.4	1600	63.0	2.01	21.66	60	72	80	101	2123	3100	2548			
SMD1800	4.0	1000	39.4	1800	70.9	2.54	27.41	76	92	102	127	2880	4205	3456			
SMD1800	6.0	1000	39.4	1800	70.9	2.54	27.41	76	92	102	127	2904	4240	3485			
SMD2000	4.0	1000	39.4	2000	78.8	3.14	33.84	94	113	126	157	3521	5140	4225			
SMD2000	6.0	1000	39.4	2000	78.8	3.14	33.84	94	113	126	157	3490	5095	4188			

* Recommended maximum flow rates for port size: 50mm/63mm(EU), 510lpm, 30.6m³/hr 65mm/75mm(EU), 760lpm, 45.6m³/hr 80mm/90mm(EU), 1080lpm, 64.8m³/hr 100mm/110mm(EU), 1800lpm, 108m³/hr 150mm/160mm(EU), 3420lpm, 205.2m³/hr

Dimension - SMD (mm)

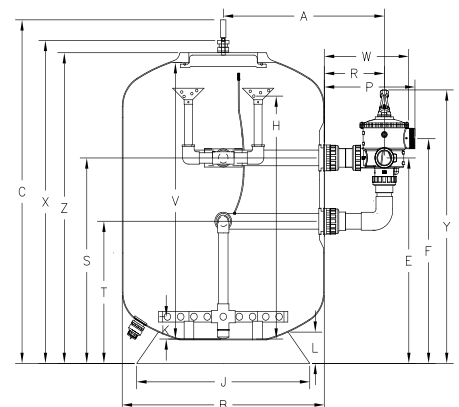
Model	A	B	C	W	R	P	E	F	K	V	H	L	X	Y	Z	J	S	T
SMD1050	796	1110	1930	389	298	193	1044	1170	220	1605	1470	176	1845	1354	1775	1045	1044	744
SMD1050	901	1110	1930	510	363	548	1100	1210	220	1605	1470	176	1845	1482	1775	1045	1100	744
SMD1200	873	1229	1905	389	298	193	1098	1224	190	1568	1440	176	1820	1408	1750	1045	1098	798
SMD1200	977	1229	1905	510	363	548	1154	1264	150	1568	1400	176	1820	1536	1750	1045	1154	798
SMD1200	1558	1229	1905	943	474	629	760	422	180	1568	1430	176	1820	760	1750	1045	1192	760
SMD1400	1083	1442	1955	510	363	548	1204	1314	250	1615	1500	218	1870	1586	1800	1202	1204	848
SMD1400	1664	1442	1955	943	474	629	810	472	200	1615	1450	218	1870	810	1800	1202	1242	810
SMD1600	1184	1644	1994	510	363	548	1151	1261	220	1615	1500	218	1909	1533	1839	1202	1151	795
SMD1600	1765	1644	1994	943	474	629	757	419	180	1615	1430	218	1909	757	1839	1202	1189	757
SMD1600	-	1644	1994	-	-	-	-	-	220	1615	1470	218	1909	-	1839	1202	1200	717
SMD1800	1863	1839	1985	943	474	629	751	413	225	1710	1475	315	1900	751	1830	1755	1183	751
SMD1800	-	1839	1985	-	-	-	-	-	320	1710	1570	315	1900	-	1830	1755	1168	685
SMD2000	1964	2042	2063	943	474	629	758	420	300	1765	1550	245	1978	758	1908	1755	1190	758
SMD2000	-	2042	2063	-	-	-	-	-	300	1765	1550	245	1978	-	1908	1755	1215	732



Micron Sidemount Deep Bed Filters (SMD - 1000mm filter bed depth)

The effect of deep media bed improves the filtration efficiency over standard High-rate filters by providing enhanced in-depth filtration and increased dirt capacity. In addition, the greater bed depth permits efficient use of mixed bed filter media and water treatment media such as granular activated carbon.

The filter's 1000mm media bed ensures that finer dirt particles and colloidal substances are retained to a far greater level than a filter with a shallower bed depth.



Commercial Fibreglass Sidemount Deep Bed Filters

Proven Strength and Durability



Micron Sidemount Deep Bed Filters (SMDD - 1200mm filter bed depth)

The effect of deep media bed improves the filtration efficiency over standard High-rate filters by providing enhanced in-depth filtration and increased dirt capacity. In addition, the greater bed depth permits efficient use of mixed bed filter media and water treatment media such as granular activated carbon.

The filter's 1200mm media bed ensures that finer dirt particles and colloidal substances are retained to a far greater level than a filter with a shallower bed depth.

COMMERCIAL SIDE MOUNT DEEP BED FILTERS (SMDD)

1200mm filter bed depth (2.5 & 4 Bar) includes Multiport Valve. Higher pressure ratings are available on request.

Part Number	Product Description	Nominal Size
224975058	SMDD750 c/w 50mm connections (2.5 Bar)	30"
224990065	SMDD900 c/w 65mm connections (2.5 Bar)	36"
224990080	SMDD900 c/w 80mm connections (2.5 Bar)	36"
2249105065	SMDD1050 c/w 65mm connections (2.5 Bar)	42"
2249105080	SMDD1050 c/w 80mm connections (2.5 Bar)	42"
2249120080	SMDD1200 c/w 80mm connections (2.5 Bar)	48"
22491200100	SMDD1200 c/w 100mm connections (2.5 Bar)	48"
2249140080	SMDD1400 c/w 80mm connections (2.5 Bar)	56"
22491400100	SMDD1400 c/w 100mm connections (2.5 Bar)	56"
22491600100	SMDD1600 c/w 100mm connections (2.5 Bar)	64"
22491800100	SMDD1800 c/w 100mm connections (2.5 Bar)	72"
2249750584	SMDD750 c/w 50mm connections (4 Bar)	30"
2249900654	SMDD900 c/w 65mm connections (4 Bar)	36"
2249900804	SMDD900 c/w 80mm connections (4 Bar)	36"
22491050654	SMDD1050 c/w 65mm connections (4 Bar)	42"
22491050804	SMDD1050 c/w 80mm connections (4 Bar)	42"
22491200804	SMDD1200 c/w 80mm connections (4 Bar)	48"
224912001004	SMDD1200 c/w 100mm connections (4 Bar)	48"
22491400804	SMDD1400 c/w 80mm connections (4 Bar)	56"
224914001004	SMDD1400 c/w 100mm connections (4 Bar)	56"
224916001004	SMDD1600 c/w 100mm connections (4 Bar)	64"
224918001004	SMDD1800 c/w 100mm connections (4 Bar)	72"

1200mm filter bed depth (2.5 & 4 Bar) excludes Multiport Valve. Higher pressure ratings are available on request.

Part Number	Product Description	Nominal Size
2249750581	SMDD750 c/w 50mm connections (2.5 Bar)	30"
2249900651	SMDD900 c/w 65mm connections (2.5 Bar)	36"
2249900801	SMDD900 c/w 80mm connections (2.5 Bar)	36"
22491050651	SMDD1050 c/w 65mm connections (2.5 Bar)	42"
22491050801	SMDD1050 c/w 80mm connections (2.5 Bar)	42"
22491200801	SMDD1200 c/w 80mm connections (2.5 Bar)	48"
224912001001	SMDD1200 c/w 100mm connections (2.5 Bar)	48"
22491400801	SMDD1400 c/w 80mm connections (2.5 Bar)	56"
224914001001	SMDD1400 c/w 100mm connections (2.5 Bar)	56"
224916001001	SMDD1600 c/w 100mm connections (2.5 Bar)	64"
22501600151	SMDD1600 c/w 150mm connections (2.5 Bar)	64"
224918001001	SMDD1800 c/w 100mm connections (2.5 Bar)	72"
224918001501	SMDD1800 c/w 150mm connections (2.5 Bar)	72"
224920001501	SMDD2000 c/w 150mm connections (2.5 Bar)	80"
224922001501	SMDD2200 c/w 150mm connections (2.5 Bar)	88"
224923501501	SMDD2350 c/w 150mm connections (2.5 Bar)	92"
224925001501	SMDD2500 c/w 150mm connections (2.5 Bar)	100"
22497505814	SMDD750 c/w 50mm connections (4 Bar)	30"
22499006514	SMDD900 c/w 65mm connections (4 Bar)	36"
22499008014	SMDD900 c/w 80mm connections (4 Bar)	36"
22410506514	SMDD1050 c/w 65mm connections (4 Bar)	42"
224910508014	SMDD1050 c/w 80mm connections (4 Bar)	42"
224912008014	SMDD1200 c/w 80mm connections (4 Bar)	48"
2249120010014	SMDD1200 c/w 100mm connections (4 Bar)	48"
224914008014	SMDD1400 c/w 80mm connections (4 Bar)	56"
2249140010014	SMDD1400 c/w 100mm connections (4 Bar)	56"
2249160010014	SMDD1600 c/w 100mm connections (4 Bar)	64"
2249160015014	SMDD1600 c/w 150mm connections (4 Bar)	64"
2249180010014	SMDD1800 c/w 100mm connections (4 Bar)	72"
2249180015014	SMDD1800 c/w 150mm connections (4 Bar)	72"
2249200015014	SMDD2000 c/w 150mm connections (4 Bar)	80"
2249220015014	SMDD2200 c/w 150mm connections (4 Bar)	88"
2249235015014	SMDD2350 c/w 150mm connections (4 Bar)	92"
2249250015014	SMDD2500 c/w 150mm connections (4 Bar)	100"

Commercial Fibreglass

Sidemount Deep Bed Filters

Proven Strength and Durability

Specifications

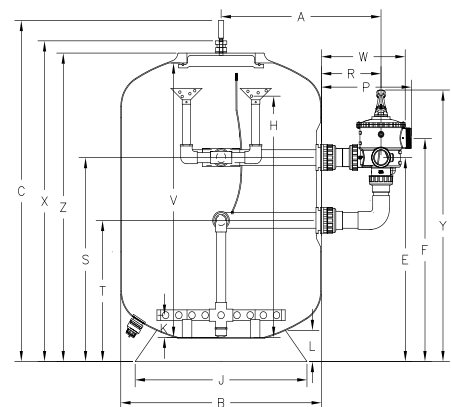
Filter Model	Valve Size	Bed Depth			Inner Diameter			Filter Area		Filtration Flow Rates				Backwash Flow Rates		Media Volume litres	Sand 16/30 Kg	ZeoPlus 1-2.2 Kg
		In	mm	In	mm	In	mm	m ²	feet ²	30m ³ /hr/m ²	36m ³ /hr/m ²	40m ³ /hr/m ²	50m ³ /hr/m ²	m ³ /hr	m ³ /hr			
SMDD750	2.0	1200	47.2	750	29.6	0.44	4.76	13	16	18	22	545	795	653				
SMDD900	2.0	1200	47.2	900	35.5	0.64	6.85	19	23	25	32	784	1145	941				
SMDD900	2.5	1200	47.2	900	35.5	0.64	6.85	19	23	25	32	784	1145	941				
SMDD900	3.0	1200	47.2	900	35.5	0.64	6.85	19	23	25	32	822	1200	986				
SMDD1050	2.5	1200	47.2	1050	41.4	0.87	9.33	26	31	35	43	1144	1670	1373				
SMDD1050	3.0	1200	47.2	1050	41.4	0.87	9.33	26	31	35	43	1140	1665	1368				
SMDD1200	2.5	1200	47.2	1200	47.3	1.13	12.18	34	41	45	57	1442	2105	1730				
SMDD1200	3.0	1200	47.2	1200	47.3	1.13	12.18	34	41	45	57	1401	2045	1681				
SMDD1200	4.0	1200	47.2	1200	47.3	1.13	12.18	34	41	45	57	1414	2065	1697				
SMDD1400	3.0	1200	47.2	1400	55.2	1.54	16.58	46	55	62	77	2031	2965	2437				
SMDD1400	4.0	1200	47.2	1400	55.2	1.54	16.58	46	55	62	77	1945	2840	2334				
SMDD1600	3.0	1200	47.2	1600	63.0	2.01	21.66	60	72	80	101	2548	3720	3058				
SMDD1600	4.0	1200	47.2	1600	63.0	2.01	21.66	60	72	80	101	2524	3685	3029				
SMDD1800	4.0	1200	47.2	1800	70.9	2.54	27.41	76	92	102	127	3192	4660	3830				
SMDD1800	6.0	1200	47.2	1800	70.9	2.54	27.41	76	92	102	127	3408	4975	4089				
SMDD2000	4.0	1200	47.2	2000	78.8	3.14	33.84	94	113	126	157	4147	6055	4977				
SMDD2000	6.0	1200	47.2	2000	78.8	3.14	33.84	94	113	126	157	4171	6090	5005				
SMDD2200	6.0	1200	47.2	2200	86.7	3.80	40.95	114	137	152	190	5223	7625	6267				
SMDD2350	6.0	1200	47.2	2350	92.6	4.34	46.72	130	156	173	217	5808	8480	6970				
SMDD2500	6.0	1200	47.2	2500	98.5	4.91	52.88	147	177	196	245	6538	9545	7845				



* Recommended maximum flow rates for port size : 50mm/63mm(EU), 510lpm, 30.6m³/hr 65mm/75mm(EU), 760lpm, 45.6m³/hr 80mm/90mm(EU), 1080lpm, 64.8m³/hr 100mm/110mm(EU), 1800lpm, 108m³/hr 150mm/160mm(EU), 3420lpm, 205.2m³/hr

Dimension - SMDD (mm)

Model	A	B	C	W	R	P	E	F	K	V	H	L	X	Y	Z	J	S	T
SMDD750	613	772	2044	334	262	191	1586	1688	113	1780	1713	120	2011	1845	1938	678	1586	1383
SMDD900	689	923	2107	334	262	191	1619	1721	113	1800	1713	155	2074	1878	2001	735	1619	1416
SMDD900	719	923	2268	389	298	193	1624	1750	223	1930	1823	155	2183	1934	2113	735	1624	1324
SMDD900	824	923	2268	510	363	548	1680	1790	190	1930	1780	155	2183	2062	2113	735	1680	1324
SMDD1050	796	1077	2270	389	298	193	1594	1720	220	1950	1820	176	2185	1904	2115	1045	1594	1294
SMDD1050	901	1077	2270	510	363	548	1650	1760	220	1950	1820	176	2185	2032	2115	1045	1650	1294
SMDD1200	873	1229	2243	389	298	193	1609	1735	190	1900	1790	176	2158	1919	2088	1045	1609	1309
SMDD1200	977	1229	2243	510	363	548	1665	1775	150	1900	1750	176	2158	2047	2088	1045	1665	1309
SMDD1200	1558	1229	2243	943	474	629	883	545	180	1900	1780	176	2158	883	2088	1045	1315	883
SMDD1400	1083	1442	2313	510	363	548	1618	1728	250	1970	1860	218	2228	2000	2158	1202	1618	1262
SMDD1400	1664	1442	2313	943	474	629	898	560	200	1975	1800	218	2228	898	2158	1202	1330	898
SMDD1600	1184	1644	2285	510	363	548	1383	1493	205	1950	1805	218	2200	1765	2130	1202	1383	1027
SMDD1600	1765	1644	2285	943	474	629	989	651	200	1950	1800	218	2200	989	2130	1202	1421	989
SMDD1800	1863	1839	2260	943	474	629	866	528	210	2010	1810	315	2175	866	2105	1755	1298	866
SMDD1800	-	1839	2260	-	-	-	-	-	320	2010	1920	315	2175	-	2105	1755	1383	900
SMDD2000	1964	2042	2398	943	474	629	878	540	300	2100	1900	245	2313	878	2243	1755	1310	878
SMDD2000	-	2042	2398	-	-	-	-	-	320	2100	1920	245	2313	-	2243	1755	1310	827
SMDD2200	-	2245	2415	-	-	-	-	-	380	2090	1980	245	2330	-	2260	1755	1386	903
SMDD2350	-	2390	2435	-	-	-	-	-	355	2118	1955	340	2330	-	2330	2037	1500	1017
SMDD2500	-	2575	2510	-	-	-	-	-	355	2190	1955	340	2405	-	2405	2037	1494	1011



Commercial Fibreglass

SPDD Nozzle Plate Filters

Proven Strength and Durability



Micron SPDD Nozzle Plate Filters

Micron SPDD filters are fitted with a plate and nozzle system, which ensures uniform flow for both filtering and backwashing, ensuring maximum performance through the media bed.

MICRON NOZZLE PLATE SIDE MOUNT DEEP BED FILTERS

1200mm filter bed depth (2.5 Bar) excludes Multiport Valve.

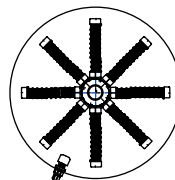
Part Number	Product Description	Nominal Size
22791051801	SPDD1050 c/w 80mm connections	42"
22781201801	SPDD1200 c/w 80mm connections	48"
227914011001	SPDD1400 c/w 100mm connections	56"
227916011001	SPDD1600 c/w 100mm connections	64"
227918011501	SPDD1800 c/w 150mm connections	72"
227920011501	SPDD2000 c/w 150mm connections	80"
227923511501	SPDD2350 c/w 150mm connections	92"

MICRON NOZZLE PLATE SIDE MOUNT DEEP BED FILTERS

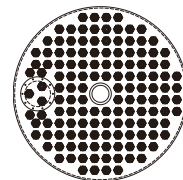
1200mm filter bed depth (4.0 Bar) excludes Multiport Valve. Higher pressure ratings are available on request.

Part Number	Product Description	Nominal Size
227910518014	SPDD1050 c/w 80mm connections	42"
227912018014	SPDD1200 c/w 80mm connections	48"
2279140110014	SPDD1400 c/w 100mm connections	56"
2279160110014	SPDD1600 c/w 100mm connections	64"
2279180115014	SPDD1800 c/w 150mm connections	72"
2279200115014	SPDD2000 c/w 150mm connections	80"
2279235115014	SPDD2350 c/w 150mm connections	92"

The nozzle plate system also allows the introduction of pressurised air directly into the bottom of the filter media. Uniform introduction of air and water through the nozzle plate provides vigorous agitation and filter media bed expansion required for an effective air/water backwash leading to reduced backwashing times and reduced volumes of water. **Save up to 25% of backwash water.**



Conventional lateral configuration



Nozzle plate configuration

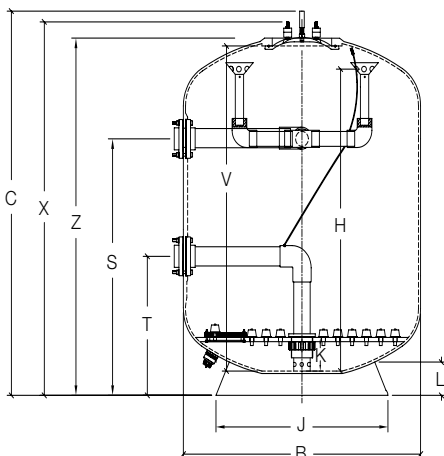
Specifications

Filter Model	Valve Size	Bed Depth	Inner Diameter	Filter Area	Filtration Flow Rates		Backwash flow Rates		Media Volume	Sand 16/30	ZeoPlus 1-2.2			
					30m ³ /hr/m ²	36m ³ /hr/m ²	40m ³ /hr/m ²	50m ³ /hr/m ²				litres	Kg	Kg
SPDD1050	3"	1200	1077	1050	41.4	0.87	9.33	26.0	31.2	34.6	43.3	1017	1485	1221
SPDD1200	3"	1200	1229	1200	47.3	1.13	12.18	33.9	40.7	45.2	56.5	1322	1930	1586
SPDD1400	4"	1200	1442	1400	55.2	1.54	16.58	46.2	55.4	61.6	77.0	1808	2640	2170
SPDD1600	4"	1200	1644	1600	63.0	2.01	21.66	60.3	72.4	80.4	100.5	2366	3455	2840
SPDD1800	6"	1200	1839	1800	70.9	2.54	27.41	76.3	91.6	101.8	127.2	2966	4330	3559
SPDD2000	6"	1200	2042	2000	78.8	3.14	33.84	94.2	113.1	125.7	157.1	3671	5360	4405
SPDD2350	6"	1200	2390	2350	92.6	4.34	46.72	130.1	156.1	173.5	216.9	5089	7430	6107

* Recommended maximum flow rates for port size: 80mm/90mm(EU), 1080lpm, 64.8m³/hr
100mm/110mm(EU), 1800lpm, 108m³/hr 150mm/160mm(EU), 3420lpm, 205.2m³/hr

Dimension - SPDD (mm)

Model	B	C	K	V	H	L	X	Z	J	S	T
SPDD1050	1077	2270	220	1950	1820	176	2185	2115	1045	1450	750
SPDD1200	1229	2243	150	1900	1750	176	2158	2088	1045	1449	749
SPDD1400	1442	2313	200	1975	1800	218	2228	2158	1202	1514	814
SPDD1600	1644	2285	200	1950	1800	218	2200	2130	1202	1529	829
SPDD1800	1839	2260	320	2010	1920	315	2175	2105	1755	1489	789
SPDD2000	2042	2398	320	2100	1920	245	2313	2243	1755	1489	789
SPDD2350	2390	2435	355	2118	1955	340	2330	2330	2037	1550	950



Commercial Fibreglass Micron Horizontal Filters

Designed and built for high performance and reliability

MICRON COMMERCIAL HORIZONTAL FILAMENT WOUND FILTERS

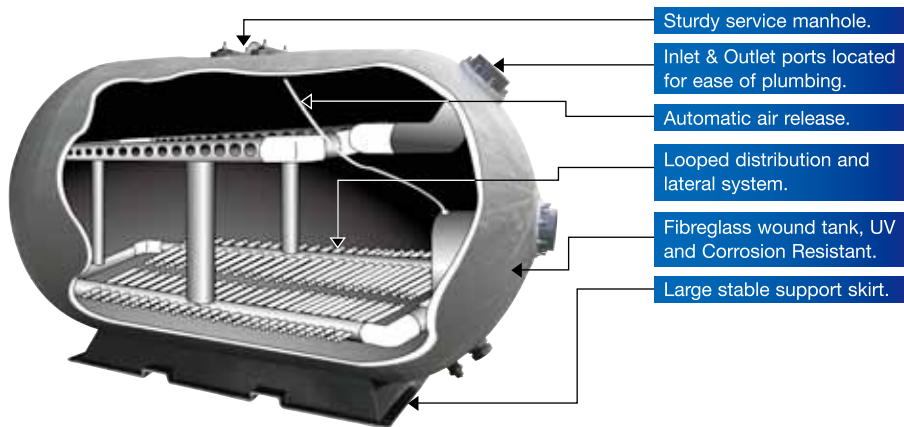
-(2.5 Bar). Higher pressure ratings are available on request.

Part Number	Product Description	Nominal Size
222900	M2500 - 100mm Connections	2.5m ²
222901	M3750 - 150mm Connections	3.75m ²
222902	M5000 - 150mm Connections	5.0m ²
2229025	M6500 - 200mm Connections	6.5m ²
22290300	MD8000 - 200mm Connections	8.0m ²
22290400	MD10000 - 250mm Connections	10.0m ²



Micron Horizontal Filters

The Micron Horizontal Filter is a space-saving high performer; its compact horizontal design allows installation with minimum waste of space. The shape of the Micron horizontal filter is both attractive and functional. The spherical ends are designed to give uniform flow from both inlet and outlet collection assemblies. Micron Horizontal filters are available with a 500mm (M) filter media bed and a 1200mm (MD) filter media bed.



- Sturdy service manhole.
- Inlet & Outlet ports located for ease of plumbing.
- Automatic air release.
- Looped distribution and lateral system.
- Fibreglass wound tank, UV and Corrosion Resistant.
- Large stable support skirt.

Specifications - Micron Horizontal Filters

Filter Model	Valve Size	Bed Depth		Inner Diameter			Filter Area		Filtration Flow Rates		Backwash Flow Rates		Media Volume	Sand 16/30	ZeoPlus 1-2.2
		In	mm	In	mm	In	m ²	feet ²	30m ³ /hr/m ²	36m ³ /hr/m ²	40m ³ /hr/m ²	50m ³ /hr/m ²			
								m ³ /hr	m ³ /hr	m ³ /hr	m ³ /hr				
M2500	4.0	500	19.7	1480	582.5	2.50	26.91	75	90	100	125	1452	2120	1742	
M3750	6.0	500	19.7	1485	584.5	3.75	40.36	113	135	150	187	2370	3460	2844	
M5000	6.0	500	19.7	1486	584.9	5.00	53.82	150	180	200	250	3192	4660	3830	

Dimension (mm)

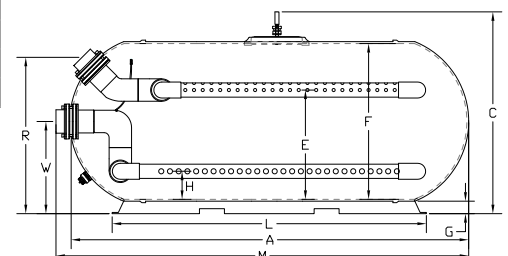
Model	A	B	C	W	R	L	E	F	G	H	M
M2500	2245	1260	1620	740	1300	1400	1005	1260	150	255	2327
M3750	3230	1265	1620	740	1300	2520	945	1260	150	275	3312
M5000	4220	1270	1620	740	1300	3570	945	1260	150	275	4301

Specifications - Micron Horizontal Deep Bed Filters

Filter Model	Bed Depth		Inner Diameter			Filter Area		Filtration Flow Rates		Backwash Flow Rates		Media Volume	Sand 16/30	ZeoPlus 1-2.2
	In	mm	In	mm	In	m ²	feet ²	30m ³ /hr/m ²	36m ³ /hr/m ²	40m ³ /hr/m ²	50m ³ /hr/m ²			
								m ³ /hr	m ³ /hr	m ³ /hr	m ³ /hr			
MD6500	8.0	1200	47.2	2260	889.5	6.50	69.97	195	234	260	325	7548	11020	9058
MD8000	8.0	1200	47.2	2260	889.5	8.00	86.11	240	288	320	400	9795	14300	11753
MD10000	10.0	1200	47.2	2260	889.5	10.00	107.64	300	360	400	500	12116	17690	14540

Dimension (mm)

Model	A	B	C	W	R	L	E	F	G	H	M
MD6500	3765	2000	2260	1120	2066	2405	1860	2000	230	240	3900
MD8000	4516	2000	2260	1120	2066	3155	1906	2000	230	306	4690
MD10000	5580	2000	2260	1120	2032	4055	1883	2000	230	283	5730



Commercial Fibreglass Optional Extras

Proven Strength and Durability



Micron Side Mount Deep Bed Optional Extras

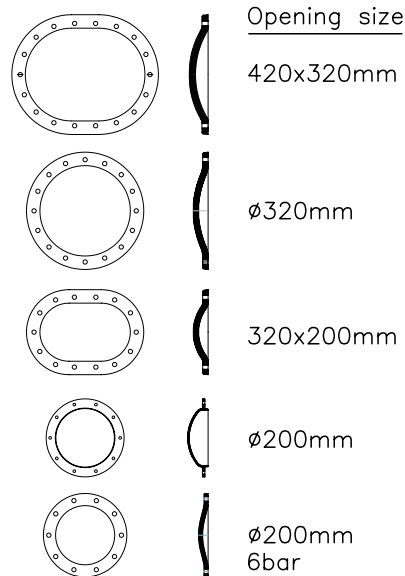
Waterco Micron Side Mount Deep Bed Commercial filters are now available with the option of:

1. 50mm, 80mm, 100mm or 150mm sight glasses.
2. 200mm, 320mm to 420mm x 320mm lateral manholes.
3. Fibreglass reinforced vinyl ester for improved resistance.
4. Extra reinforcement to increase the working pressure rating to 600 kPa (87psi) and 800 kPa (116 psi).

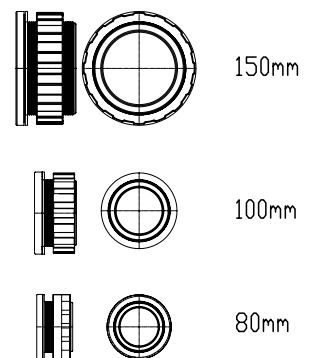
COMMERCIAL FIBREGLASS : OPTIONAL EXTRAS

Part Number	Product Description	Nominal Size
62350	Sight Glass 50mm applicable to SMD/SMDD400 to 2500	
62380	Sight Glass 80mm applicable to SMD/SMDD900 to 2500	
623100	Sight Glass 100mm applicable to SMD/SMDD1050 to 2500	
620947	Lateral Manhole 420mm x 320mm applicable to SMD/SMDD/SPDD1200 and above; and MD	
620949	Lateral Manhole 320mm dia applicable to SMD/SMDD/SPDD1050 and above; and M/MD1200 to 2500	
6209490	Lateral Manhole 200mm applicable to SMD/SMDD/SPDD600 and above; and M/MD	

Side hatch / Lateral manhole cover



Sight Glass



DUAL PRESSURE GAUGE PANEL

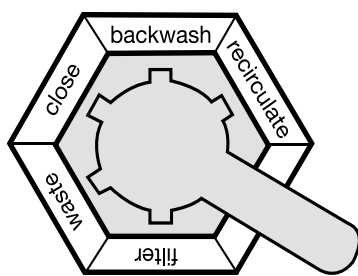
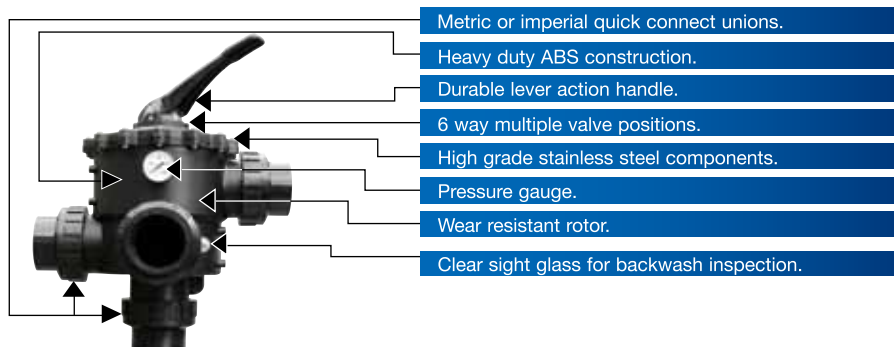
Part Number	Product Description	Nominal Size
621639	Dual Pressure Gauge Panel	

Multiport Valves

Heavy duty construction

MPV KITS FOR MICRON SAND FILTERS

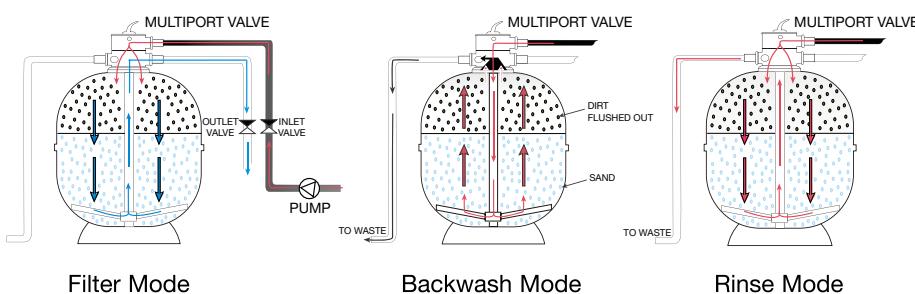
Part Number	Product Description	
2280422	TM 40mm MPV Clamp w BU	Thermoplastic T400 - T600 Clamp Type
228042	TM 40mm MPV c/w BU	Micron S500 - S700
2280441	TM 40mm MPV c/w BU (6way 4bar)	Micron S500 - S700
2290421	SM 40mm MPV	Micron SM400 - SM600 8" neck w 40mm Micron SMDD600 8" neck w 40mm
2290491	SM 40mmMK2 MPV c/w P Kit	Micron SM600 8" neck w 50mm
2390495	DE SM 40mm MPV c/w P Kit	Astra DE P2027
228053	TM 50mm MPV c/w BU	Micron S702 - S1200 Micron SD750, SD900
2290512	SM 50mm MPV	Micron SM700 - SM900 8" neck w 50mm Micron SMDD750 - SMDD900 8" neck w 50mm Micron SMDD1050 w 50mm connection
23905832	DE SM 50mm MPV c/w P Kit	Astra DE P2036, P2048
2290820	SM 80mm MPV c/w P Kit	Micron SM1050 - SM1600 w 80mm Micron SMDD900 - SMDD1400 w 80mm
2291005	SM100mm MPV c/w P Kit	Micron SM1600 - SM2000



Multiport Valve Main Functions

- Filter** - downward flow through the filter bed to outlet
- Backwash** - upward flow through the filter bed to waste
- Rinse** - downward flow through the filter bed to waste
- Waste** - bypass the filter bed to waste
- Re-circulate** - bypass the filter bed to outlet
- Closed** - no flow to the filter

Cleansing a filter simply requires shifting the Multiport lever from the “filter” position to the “backwash” position, which reverses the flow of water in the filter, flushing the filter bed.



Warranty

Waterco Multiport valves are covered by 1 year warranty.

Aquastar

Automated Multiport Valve



Aquastar® provides automated backwashing and rinsing, triggered by a pressure sensor, timer, or both. The controller switches off the filter's pump prior to each repositioning of the multiport valve, ensuring safe operation.

- Clear display of valve position
- Quiet operation
- Quick conversion from automatic to manual operation*
- Emergency handgrip integrated in the actuator
- IP65 protection
- Side and top mount configurations

Warranty
Aquastar® Multiport valves are covered by 1 year warranty.

AUTOMATED SIDE MOUNT VALVES

Part Number	Product Description	Nominal Size
22720050	MOT MPV E2000, GFK 50MM	
	Motorised MPV 6way E2000 pressure, GFK 50mm	
22820080	MOT MPV E2000, GFK 80MM	
	Motorised MPV 6way E2000 pressure, GFK 80mm	
22830050	MOT MPV E3000, GFK 50MM	
	Motorised MPV 6way E3000 time, GFK 50mm	
22830080	MOT MPV E3000, GFK 80MM	
	Motorised MPV 6way E3000 time, GFK 80mm	

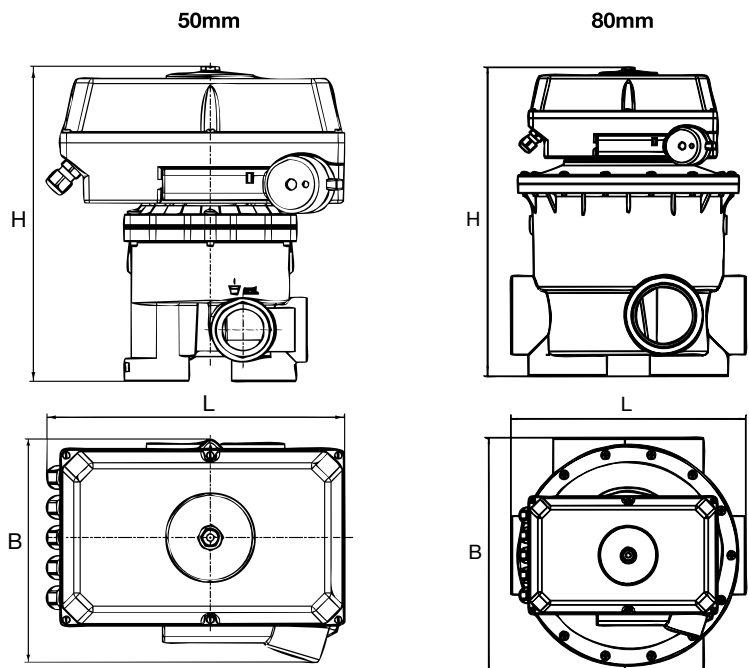
Note: GFK pressure rating = 5.5 bar (75psi)

Types of Control Units

Type	Pressure	Time
E-2000/F2	✓	
E-3000/F2		✓

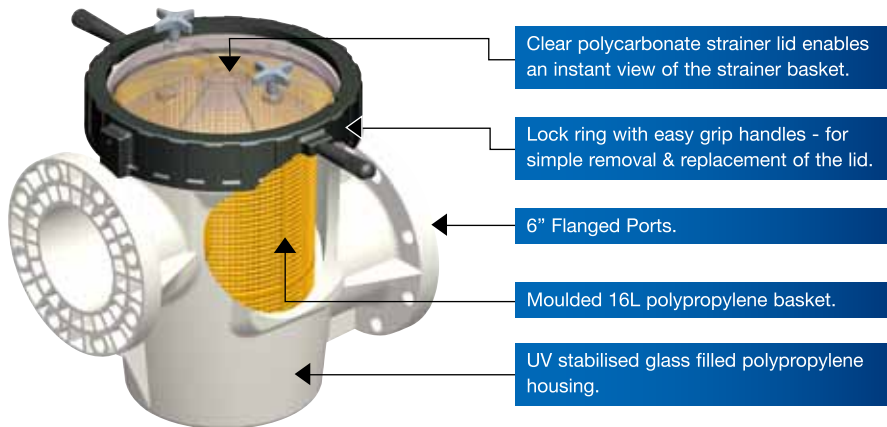
Dimension

	H	L	B
50mm	339	274	230
80mm	434	330	330



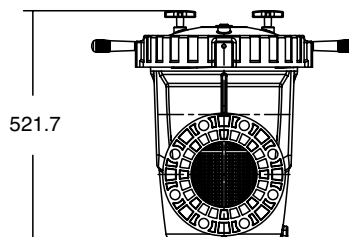
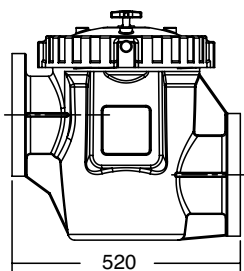
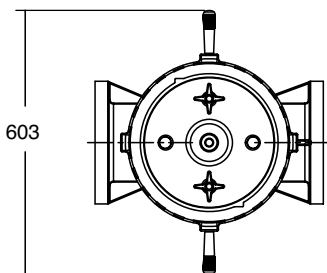
Hydro5000 Commercial Strainer

HYDRO5000 COMMERCIAL STRAINER



- Maximum Flow Rate: 153 m³/hr
- Maximum Working Pressure: 3.5 Bar / 50 psi

Dimension (mm)



The Hydro5000 Commercial strainer is a corrosion resistant thermoplastic strainer designed for aquatic facilities, water parks and large commercial swimming pools.

Hydro5000 commercial strainer's main body is constructed from an injection moulded glass reinforced thermoplastic. It's seamless one piece consists of no welds or seams or special tank linings which can corrode or electrolyse.

Hydro5000 strainers weigh less than a 1/3 the weight of its steel counterparts without any compromise in strength and durability.