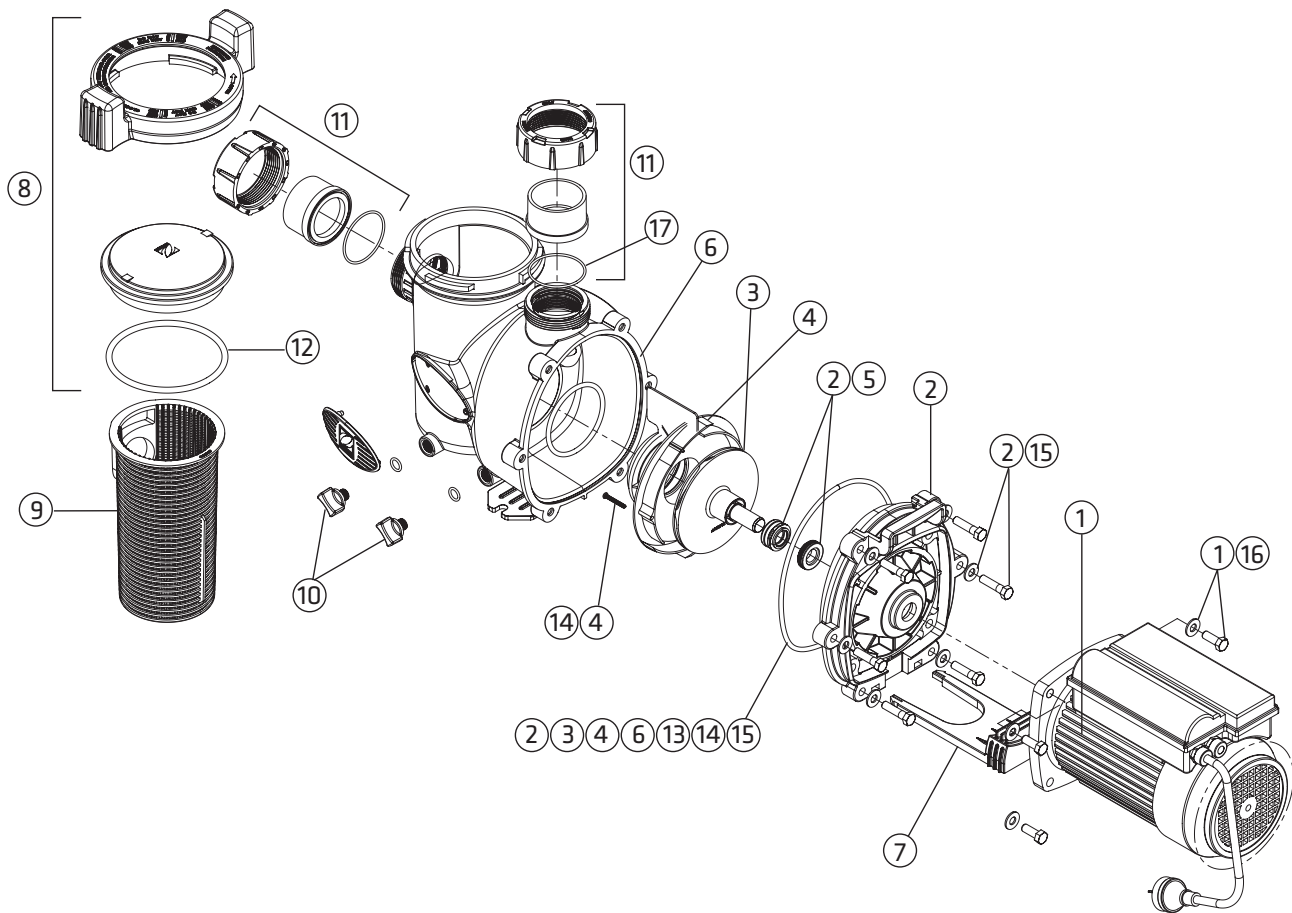


# ZODIAC

## FloPro Series



# ZODIAC

## FloPro Series



High performance pool pump, built to last.

### Complete Units

Part No	Description	List \$ excl. GST	List \$ incl. GST
W245075	FloPro 0.75hp pool pump		
W245100	FloPro 1.0hp pool pump		
W245150	FloPro 1.5hp pool pump		
W245200	FloPro 2.0hp pool pump		

### Parts

	Part No	Description	Model No. (HP)	List \$ excl. GST	List \$ incl. GST
1	W131071A	Motor & Hardware, WFHP	0.75 & 1.0		
1	W131081A	Motor & Hardware, WFHP	1.5		
1	W131091A	Motor & Hardware, WFHP	2.0		
2	W0479500	Backplate, WFHP (Backplate w/Hardware, Backplate o-ring & Mechanical Seal)	All		
3	W0479601A	Impeller, WFHP (Impeller, Screw w/O-ring & Backplate O-ring)	0.75		
3	W0479602A	Impeller, WFHP (Impeller, Screw w/O-ring & Backplate O-ring)	1.0		
3	W0479603A	Impeller, WFHP (Impeller, Screw w/O-ring & Backplate O-ring)	1.5		
3	W0479604A	Impeller, WFHP (Impeller, Screw w/O-ring & Backplate O-ring)	2.0		
4	W0479701A	Diffuser, WFHP (Diffuser w/O-ring, Hardware & Backplate O-ring)	All		
5	W0479400	Mechanical Seal, Carbon & Ceramic (1 Set)	All		
6	W0479800A	Pump Body, WFHP (Body and Backplate O-ring)	All		
7	WA0133001	Motor Mounting Foot, WFHP	All		
8	W0480000	Lid w/Locking Ring, WFHP (Lid w/Locking Ring & Lid O-ring)	All		
9	WA0130900	Pump Debris Filter Basket, WFHP	All		
10	W0446000A	Drain Plug w/O-ring, WFHP	All		
11	W0327301	Tail Piece, O-ring & Union Nut	All		
12	WS0137200	Lid O-ring, WFHP	All		
13	WS0137300	Backplate O-ring, WFHP	All		
	WS0119000	Diffuser O-ring, WFHP	All		
14	W0480400	Diffuser/Impeller Hardware (Diffuser O-ring, Screws (2), Screw w/O-ring & Backplate O-ring)	All		
15	W0480500	Backplate Hardware, WFHP (Backplate Hardware & Backplate O-ring)	All		
16	W0446700	Motor Hardware Kit	All		
17	WS0104900	Tailpiece O-ring	All		

### Additional Parts (Motor)

Part No	Description	Model No. (HP)	List \$ excl. GST	List \$ incl. GST
WA01623	Sleeve	All		
W345-126-02	Capacitor 0.75/1.0HP	0.75 & 1.0		
W345-126-01	Capacitor 1.5HP	1.5		
W345-126-03	Capacitor 2.0HP	2.0		