

FINSBURY

water filters



undersink**filter**



Disruptor™ filtration technology reduces more impurities than any other conventional water filter.

WATERCO
water, the liquid of life
www.waterco.com.au



Install a Finsbury undersink water filter to experience the convenience of clean, healthy water.

The Finsbury water filter is cleverly designed with unique Disruptor™ filtration technology combined with a carbon block filter to remove a wide range of impurities.

The clean, simple and compact design of the Finsbury water filter is conveniently installed out of sight under your sink.

As a plumbing product, the Finsbury water filter carries full Australian Watermark™ approval, providing peace of mind and quality assurance.

Disruptor™ filtration technology



Utilising electroadsorption, the entire Disruptor™ media is covered by an electric charge, which is activated by contact with water. It is this charge field that captures contaminants in the water.

Filter cartridge replacement

For optimal performance, Waterco recommends cartridge replacement every 3000 Litres or 6 months.



Carbon cartridge

- Cloudiness
- Volatile organic chemicals (voc)
- Lead and mercury
- Cysts
- Dirt, sediment and rust
- Chlorine
- Particulates



Disruptor cartridge

- Bacteria
- Odours
- Chlorine
- Particulates
- Giardia and Cryptosporidium
- Improves taste

Questions & Answers

Can I change the filters myself?

Yes. All Finsbury Water Filters are very easy to replace. For further information please refer to the instructions.

Are Finsbury Water Filters BPA free?

Yes. The potential release of Bisphenol A is related to the use of Polycarbonate. All Finsbury Water Filters materials in direct contact with water do not contain Polycarbonate and are food grade and BPA free.

Do I need to wash my filter?

No. Filters are not washable. Used filters should be disposed of responsibly and replaced with recommended filters.

Can I use hot water in my Finsbury Water Filter?

No. Avoid filtering extremely hot or boiling water as this could affect the filter's performance. This excludes shower filters.

Can I filter water from a stream or dam?

No. While Finsbury Water Filters will remove virtually all harmful contaminants typically found in un-purified water sources including streams and dams, they could have additional unknown contaminants. We do not recommend drinking this water (filtered or un-filtered).

Can I filter any liquid with my Finsbury Water Filter?

No. Finsbury products are designed to filter water only.

Do Finsbury Water Filters remove fluoride?

No. Fluoride is a natural mineral that can be found within municipal water supplies. Throughout the world some water agencies add this to the water supply. Finsbury Water Filters are not designed to remove fluoride.

Which heavy metals are reduced by using a Finsbury Water Filter?

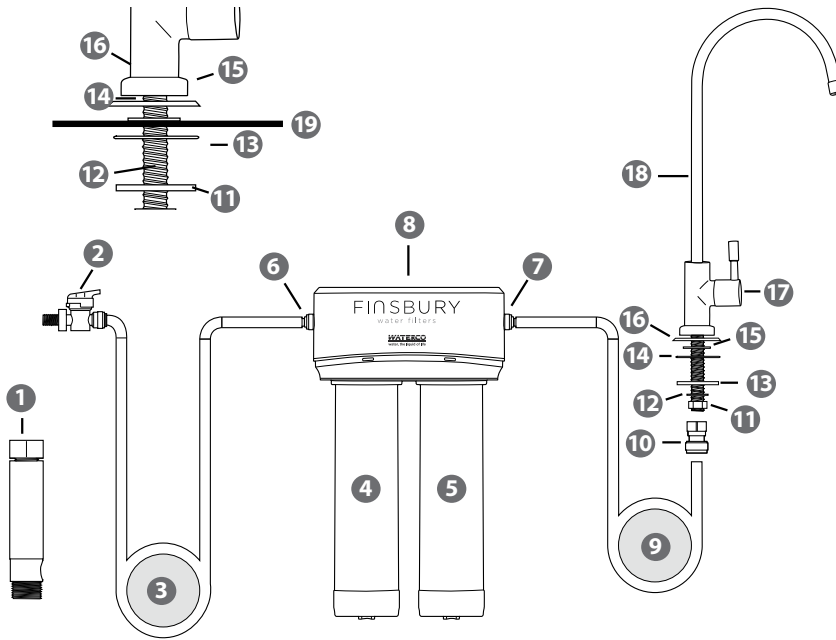
Finsbury Water Filters products utilising the Disruptor™ filter media are able to reduce Chromium VI, Copper, Lead, Iron and Selenium.

Australian WaterMark Approved



The Finsbury water filter is approved under the Australian WaterMark™ Certification Scheme (WaterMark). This is an Australian mandatory certification scheme for plumbing, drainage materials and products to ensure they are fit for purpose and appropriately authorised for use in plumbing and drainage installations.

Contents



1. 3/4" multifunction valve
2. Filter isolating valve
3. 1/4" flexible tube
4. Carbon cartridge filter
5. Disruptor™ cartridge filter
6. Filter inlet
7. Filter outlet
8. Filter housing
9. 1/4" flexible tube
10. Flexible tube to thread tap connector
11. Lock nut
12. Shake-proof washer
13. Black locating washer
14. Large rubber O-ring
15. Small rubber O-ring
16. Chrome plated sink mount
17. Chrome plated tap body and handle
18. Chrome plated tap spout
19. Sink

Product technical specifications

| | |
|---------------------------|-----------------|
| Flow rate | 1.8L/min |
| Operating pressure | 400 kPa |
| Water source | Municipal water |
| Filter life | 6 months* |

Warranty: Finsbury Water Filters are guaranteed to be free from defects in material and workmanship for a period of three (3) years from date of purchase. Warranty on consumable products such as filter cartridges does not apply.

CONTACT WATERCO

Waterco's head office is situated in Sydney, Australia with international offices, manufacturing plants and warehouses located in Australia, New Zealand, Malaysia, Indonesia, Singapore, China, the US, Canada and the UK.

OFFICES - AUSTRALIA

NSW - Sydney (Head Office)
Tel: +61 2 9898 8600
QLD - Brisbane
Tel: +61 7 3299 9900
VIC/TAS - Melbourne
Tel: +61 3 9764 1211
WA - Perth
Tel: +61 8 9273 1900
SA/NT - Adelaide
Tel: +61 8 8244 6000
ACT Distribution
Tel: +61 2 6280 6476

OFFICES - OVERSEAS

Waterco (Europe) Limited
Sittingbourne, Kent, UK
Tel: +44 (0) 1795 521 733
Waterco (USA) Inc
Augusta, Georgia, USA
Tel: +1 706 793 7291
Waterco Canada
Longueuil, Quebec, Canada
Tel: +1 450 748 1421
Waterco (NZ) Limited
Auckland, New Zealand
Tel: +64 9 525 7570

Waterco (C) Limited
Guangzhou, China
Tel: +86 20 3222 2180

Waterco (Far East) Sdn Bhd
Selangor, Malaysia
Tel: +60 3 6145 6000

PT Waterco Indonesia
Jakarta, Indonesia
Tel: +62 21 4585 1481

Waterco Singapore Intl Pte Ltd
Nehsons Building, Singapore
Tel: +65 6344 2378

DISTRIBUTED BY:

WATERCO
water, the liquid of life



ZZB1912 06/17