

SSC Series Salt Water Chlorinator

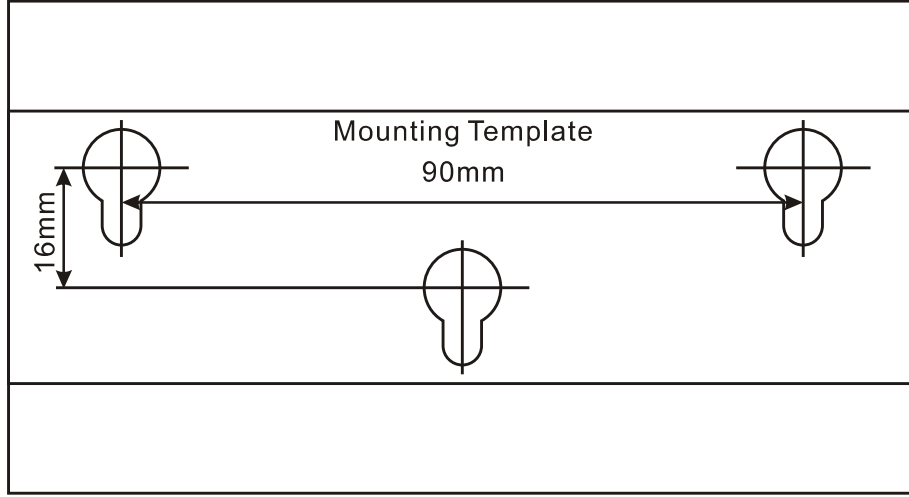
Installation & Owners Manual



Contents

Models:	SSC15-TLT, SSC25-TLT	
	SSC15-T, SSC25-T, SSC50-T,	
	SSC15-E, SSC25-E, SSC50-E,	
Packing List		P3
Installation		P4
Operation		P6
Maintenance		P8
General Information		P9
Troubleshooting		P10
Mounting Template		P11

Mounting Template Scale 1:1



Trouble Shooting Guide

Low/No Chlorine Production.

- Check for power at power point/chlorinator/pump
- System controller turned up
- Correct running times set on time clock for pool conditions
- Check chlorinator output on Display.
- Have the pool water balance checked at your local pool shop.

No Flow

- Check Pump for operation
- Backwash filter if dirty
- Inspect gas sensor connection for scale/making good connection.
- Check pipe installation

Stand-by LED on/no output

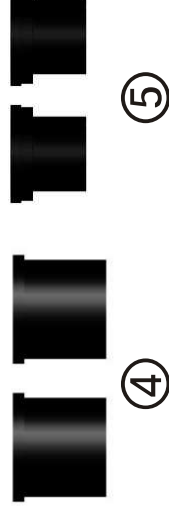
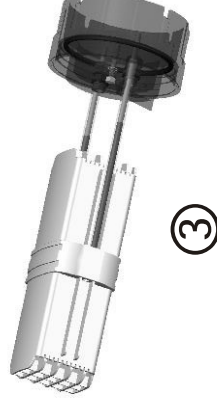
- System control turned down to test turn off unit at power point, turn system controller to maximum and turn chlorinator on again. The stand-by light should operate for 30 seconds then the display should count up to 100%.
- Should the unit fail to operate, contact your local service agent for assistance.

WARNING

- If the supply cord is damaged, it must be replaced by the manufacturer, its service agent or similarly qualified persons in order to avoid a hazard.
- Children should be supervised to ensure that they do not play with the appliance.

Packing List

1. 1 x Electronic Power Supply
2. 1 x Cell Housing
3. 1 x Salt Cell
4. 2 x 50mm Unions
5. 2 x 40mm Unions
6. 2 x Power Supply Mounting Screws



Information & Specifications subject to change without notice.

Congratulations on purchasing the Emaux range of Salt Water Chlorinator, please read this installation & Operating Manual carefully.

Congratulations on purchasing the Emaux range of Salt Water Chlorinator, please read this installation & Operating Manual carefully

Electronic Power Supply

Installing the electronic power supply is very easy; please refer to the diagram and the following details.

- ✘ Position within 1M from the Pump & Filter, in a well ventilated area.
- ✘ It is recommended that the Power Supply needs to be positioned at least 3M from the pool area and 1.5M from the ground. Kindly check your local Electrical Regulation.
- ✘ Using the template supplied in this Manual, mark two holes for fitting the Power Supply to the wall, drill a 8mm hole and install the supplied plugs and screws and attach to wall.
HINT If fitting against a limestone wall, use a piece of wood as backing to prevent corrosion of the Power Supply bracket.
- ✘ Connect pump plug to power point of the Power Supply located at the base of unit. (for T, TLT model)
- ✘ Connect pool light cable to light connector on the right hand side of the base of the chlorinator. If applicable. (for TLT model)
- ✘ Plug the mains cable in to an approved power point. Ensure the power point is weatherproof if located outdoors.
- ✘ Once installed connect the cell cable to the cell.

Installing the Cell Housing

Install the cell housing according to the diagram and written notes to ensure the safe operation of the chlorinator.

- ✘ Glue the housing horizontally on the 'return line' of the pool plumbing.
- ✘ The housing has to be positioned at the highest point of the system and after all accessories. eg heater, chemical feeder
- ✘ Allow 24 Hours for glue to set or refer to the manufacturer's instruction on glue curing time. Ensure all pipes are primed before gluing.
- ✘ Install cell and connect wiring. The Black connectors go to the cell electrode. The connectors may be fitted either way.
- ✘ The yellow wire is connected to the gas sensor marked on the cell housing.

To ensure the unit gives many years of trouble free operation please take note of the following details.

- ✘ Ensure the pool balance is maintained throughout the year.
- ✘ Ensure good ventilation is maintained
- ✘ Inspect the cell periodically for scale build up (in extreme cases if the pool water has a high calcium content the cell will be come scaled and need cleaning).
- ✘ Should the cell become calcified, cleaning of the cell can be carried out by your local pool shop.
- ✘ Ants & other insects may gain access to the inside of the unit through cooling vents which may result in damage to your unit which may not be covered by warranty.
- ✘ Inspect Pump & Filter conditions on a regular basis.

General Information

- ✘ During extreme hot weather conditions or high bather load, the pool water may need to be super-chlorinated using granulated or liquid chlorine or increase the running time of the chlorinator.
- ✘ Always turn down the system control controller to zero before adding salt, once mixed return to set position.
- ✘ If the pump fails the chlorine production system will shut down. Turn chlorinator off until pump is fixed to reset the system.
- ✘ Only 1 pool light can be connected to the pool light transformer.
- ✘ The back aluminum casing acts like a heatsink and may become hot to touch.
- ✘ Only plug 1 pump into pump outlet. Total load must not exceed 8 amps.
- ✘ Should the Supply Cord become damaged, it must be replaced by an authorized service agent.

Operation Display

The display is shown as a LCD and will show the output of the cell as a percentage. On start up the standby LED will show red and the display will show zero, once this cycle is complete the display will count up until it reaches 100 %. Display will only show a reading if there is supply to the cell.

Operation Indication Light LED

- GREEN
- GREEN

Normal Operation all ok

- GREEN
- RED

Check salt level/Cell Condition/Water Temperature

- RED
- RED

Service Unit/Check Pool Balance

- OFF/RED

Stand by this is on while system start cycle is being activated.

- GREEN
- RED

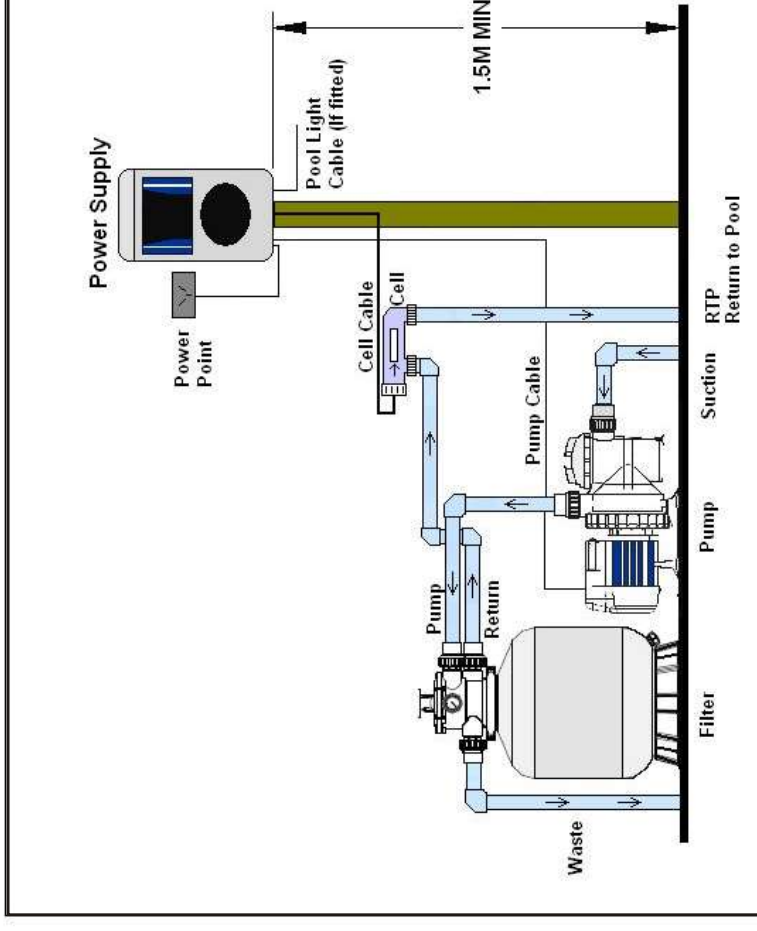
Winter/Summer Will set output to 82% during the winter months and will adjust the Operation to reflect the change in the pools conditions.

- GREEN
- RED

Polarity Will change from Red to Green depending on cell polarity.

- OFF/RED

No Flow No Flow is on when no water flowing over the gas sensor point on the cell

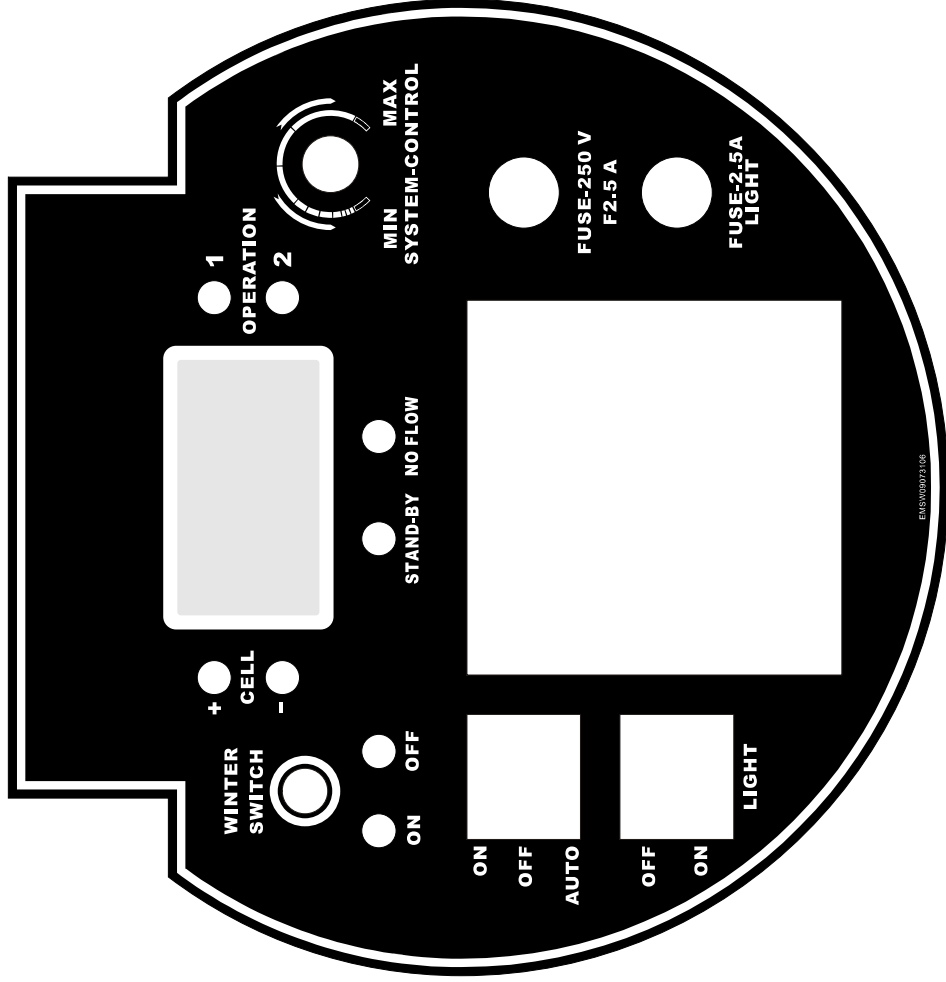


Operation - Overview

The chlorinator has a number of functions and indicators to assist in the operation of the unit. Please refer to the explanatory notes and diagrams to understand each function.

- ✘ On/Off Auto Switch: On for Manual operation, Auto for time clock operation
- ✘ System Control: To adjust the chlorine production.
- ✘ Display: This shows the output in a percentage form (0% = Minimum output 100% = Maximum output)
- ✘ Winter Switch: Use in cooler weather. Adjusts output to 82%
- ✘ Operation LEDs: This shows the conditions the cell is operating in. See Pages 8 for further details.
- ✘ Time Clock: This allows for automatic start & stop of the pump and chlorinator. (for T, TLT model)
- ✘ Pool Light Switch: Operates the pool light if fitted. (For TLT model)
- ✘ Fuses are incorporated for protection of transformer and electronic equipment.

Operation panel for TLT model



Operation Time Clock (For Model T & TLT)

To set to auto

Place main switch in auto position

To set up time clock

Turn middle dial until hands show time of day. Outer ring shows 24Hr setting, middle display shows 12Hr setting.

To adjust time clock

Position (push in/out) blue pins in line with the start up & finish times. Each pin represents a 15min sequence

General Guide

- Summer Operation 8 Hours per day
- Winter Operation 4 -6 Hours per day

Operation System Control

The chlorine output is determined by the position of the chlorine controller. Output to the cell is always set to 100%, the chlorine controller will alter the time the electronics supplies power to the cell e.g.

- time clock set for 8 hours - controller set to max = cell operates for 8 hrs
- time clock set for 8 hours controller set to ½ = cell operates for 4hrs
- time clock set for 8 hours controller set to ¼ = cell operates for 2hrs

The unit is designed to be self-regulating to prevent damage to the electronics and will indicate a low salt, low water temperature and failing cell condition. warning is shown via the LED indicators.

On start up the stand-by LED will come on for 35 seconds to allow for the pump to prime and the electronics to reset it self.

The stand by light will then go off and the counter will start, going up to 100% in summer mode and 82% in winter mode. Cell polarity LED will be green or red depending on cell polarity and summer/winter LED will show red for Off position and green for ON position.

Operation Starting Up

Pool Balance

Ensure pool water is balanced prior to operation; consult your local pool shop for further advice.

Salt

After the unit has been installed, add salt to reach a level of 0,4% (4000ppm), and allow to dissolve prior to start up.

Hint: Adding 40Kg per 10,000 Litres = 0,4%.