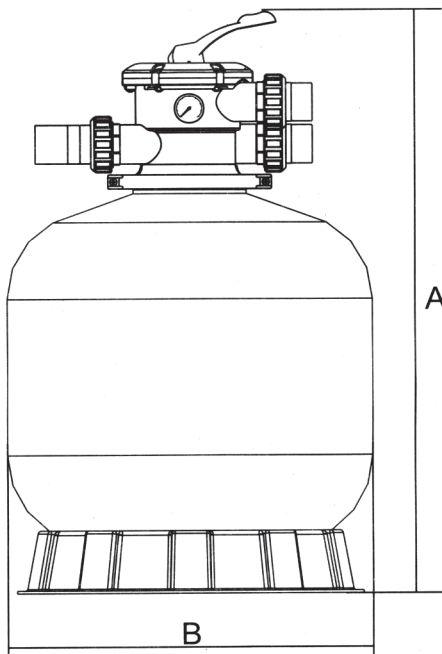


## Main Dimension



Model	Height A (mm)	Diametre B (mm)	Valve Port Size (inches)	Sand (kg)
F14	726	350	1.5"	25
F16	757	400	1.5"	40
F18	814	450	1.5"	60
F21	845	533	1.5"	90
F25	950	635	1.5"	160
F28	1020	710	1.5"	200