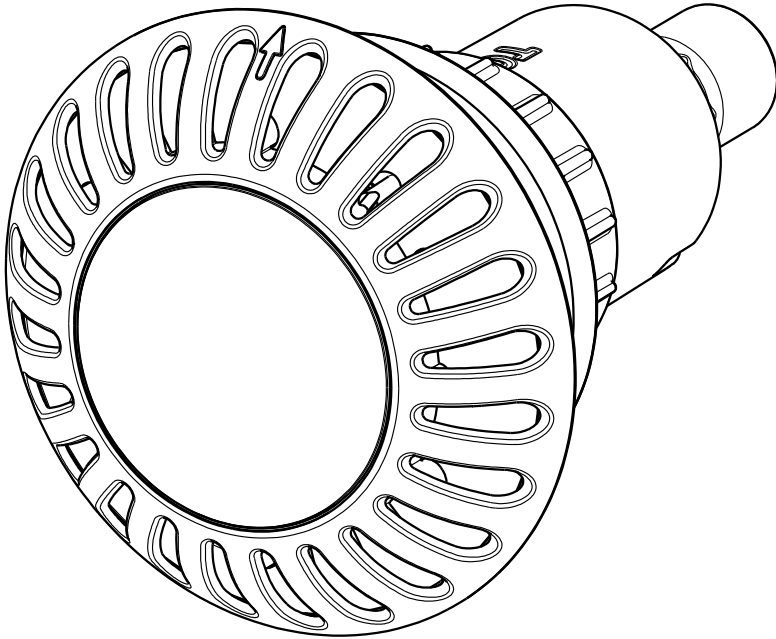


# INSTALLATION & OWNER'S MANUAL

ULTRA COMPACT NICHE LIGHT



# EMF

FOR FIBREGLOSS POOLS

STORE THIS MANUAL IN A SAFE  
PLACE FOR FUTURE REFERENCE

atom  
emSERIES



# CONTENTS

READ THIS FIRST	2
TOOLS REQUIRED	3
INCLUDED PARTS - SINGLE KIT	4
INCLUDED PARTS - DUAL KIT	5
FINISHED INSTALLATION	6
EM-LIGHT REMOVAL	11
EM-LIGHT ASSEMBLY	12
CONNECTIONS	14

# READ THIS FIRST

This booklet contains important information about the correct installation and handling of EM-series lights. **Please read this booklet carefully** before commencing installation to familiarise yourself with the included parts, accessories and correct installation procedures.

## BEFORE YOU START:

- Supplied cable should not be modified. 20m cable is supplied as standard; 30m & 50m cable lengths are available to order from Spa Electrics or your distributor.
- Ensure that the lighting system is installed by a suitably qualified persons (e.g. registered pool builder and/or qualified electrician), in accordance with AS/NZS 3000:2007 standards.
- For safe and proper installation, ensure that only those parts supplied with the system are used.
- Maximum installation depth for EM-Series lights is 400mm
- All lights should be mounted in a location that is easily accessible without the need for entering or lowering the pool water.
- No less than 700mm cable must remain stored within the Niche to ensure the light can be accessed above the waterline. (Maximum cable within niche = 800mm)
- The EM series light can be mounted at any angle provided the installation conforms to the above items.

## CLEANING

- Only use warm water and a soft brush or cloth to clean EM-series lights. DO NOT use detergents or spirits as this can damage the light and void your warranty.

## USE

- Do not operate light unless completely submerged in water.
- Operating the light for at least 15 minutes every week is advised (all year round).
- EM-series lights are designed for continuous (24/7) operation.
- EM-series lights are suited for both domestic and commercial installations.

## WARNING

- The EM series light must only be powered by the supplied 12V AC Spa Electrics transformer.
- DO NOT use electronic or switch-mode transformers with EM-series lights. These transformers will damage the light and void your product warranty.
- **Pool chemicals & PH levels:** Due to the corrosive nature of unbalanced pool chemicals, Spa Electrics strongly recommend that your pool water is balanced prior to installing your pool lights or any plastic or stainless steel components, and tested weekly to maintain these levels. pH levels should be maintained between 7.2 – 7.6 at all times to ensure the longevity of these components.
  - > Failure to do so can result in chemical damage to the light housing and pool fittings, including stainless steel components.
  - > **Please note:** Lights or components found to have excessive chemical damage will not be covered under our manufacturer's warranty policy
- This light contains no user-serviceable parts; opening the light will void the product warranty.

# TOOLS REQUIRED

## MODEL: EMF

- > 60mm Hole Saw
- > Silicon + caulking gun
- > Adjustable spanner ("shifter")
- > Flat-blade screw driver (for EM-light removal)

## IMPORTANT NOTE:

The use of power tools (such as 240V and cordless drills) during installation is **not** recommended as these devices can cause faults and damage to light components.

*Only use a powered drill in **Step 1 (Page 8)** when preparing the pool wall for light installation.*

All other installation steps should be carried out with manual tools only.

## PRODUCT SUPPORT AND INFORMATION:

Phone: +61 3 9793 2299 (business hours)

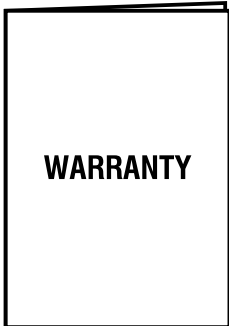
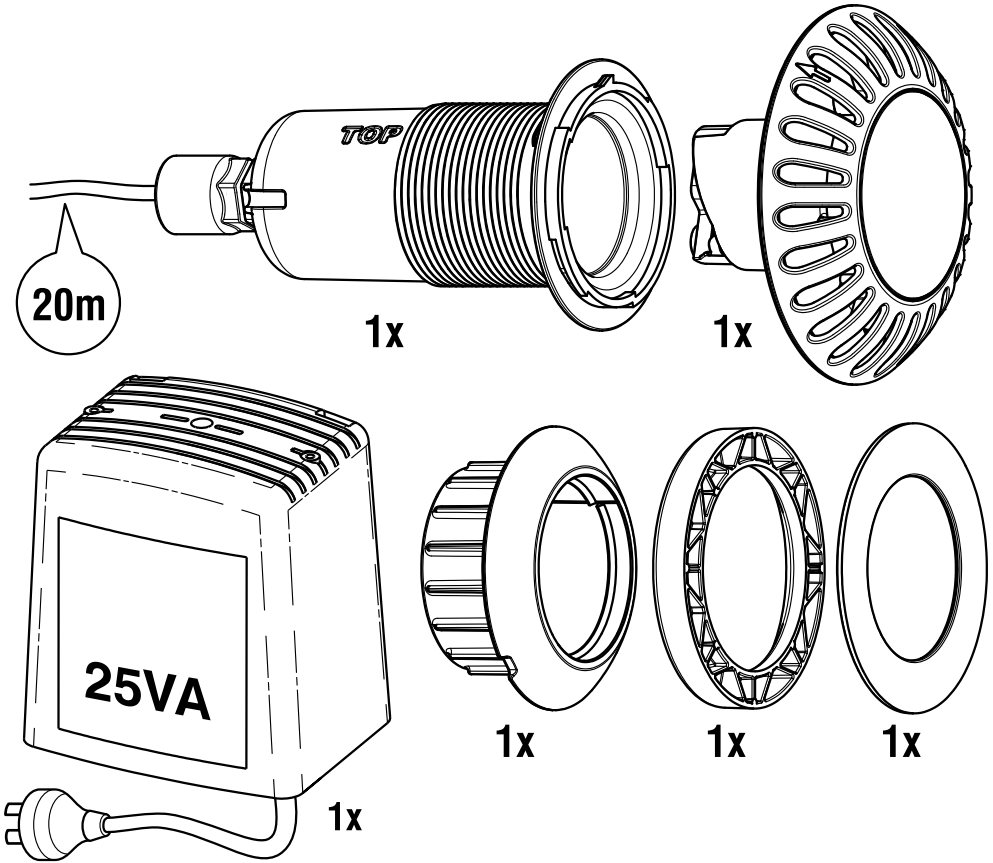
Email: [info@spaelectrics.com.au](mailto:info@spaelectrics.com.au) (SALES enquiries)

Email: [tech@spaelectrics.com.au](mailto:tech@spaelectrics.com.au) (TECHNICAL support enquiries)

Web: [www.spaelectrics.com.au](http://www.spaelectrics.com.au)

# INCLUDED PARTS

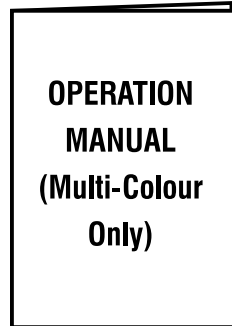
MODEL: EMF - 25VA (SINGLE) KIT



1x



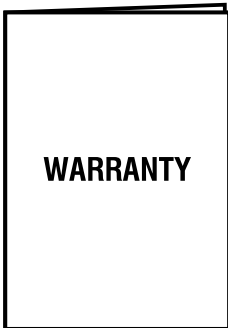
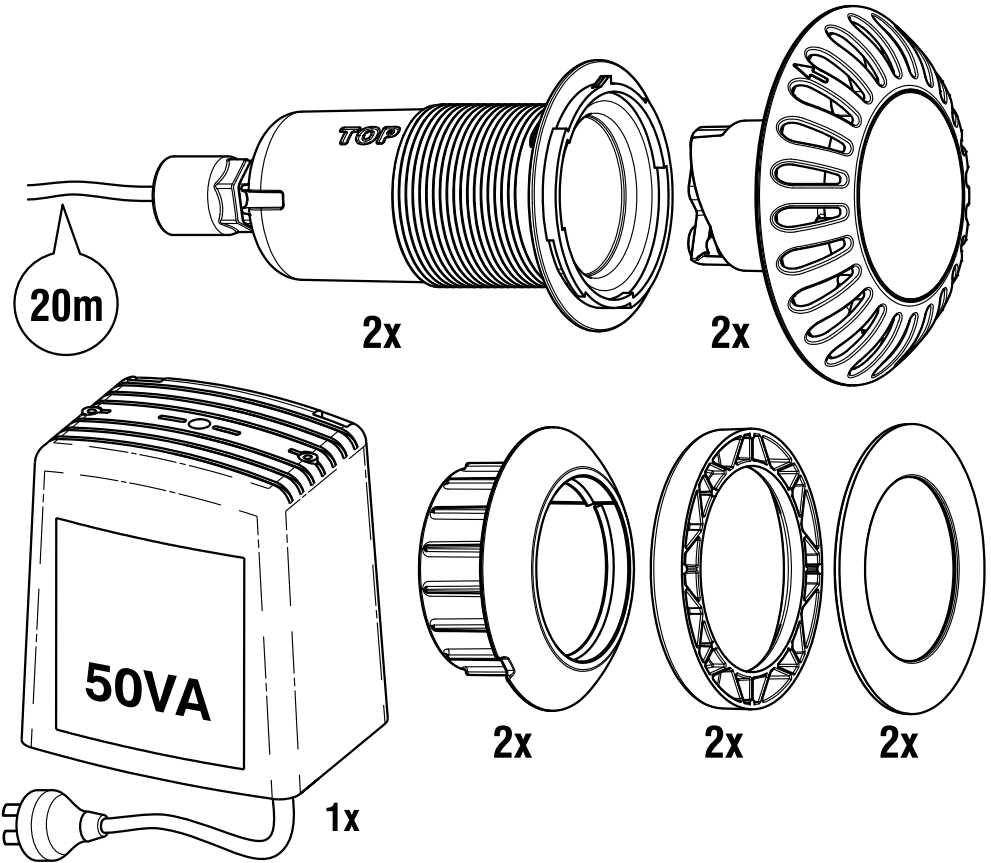
1x



1x

# INCLUDED PARTS

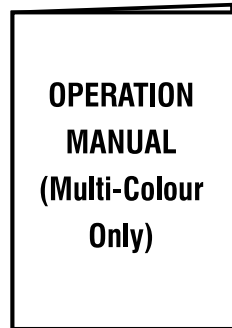
MODEL: EMF - 50VA (DUAL) KIT



1x



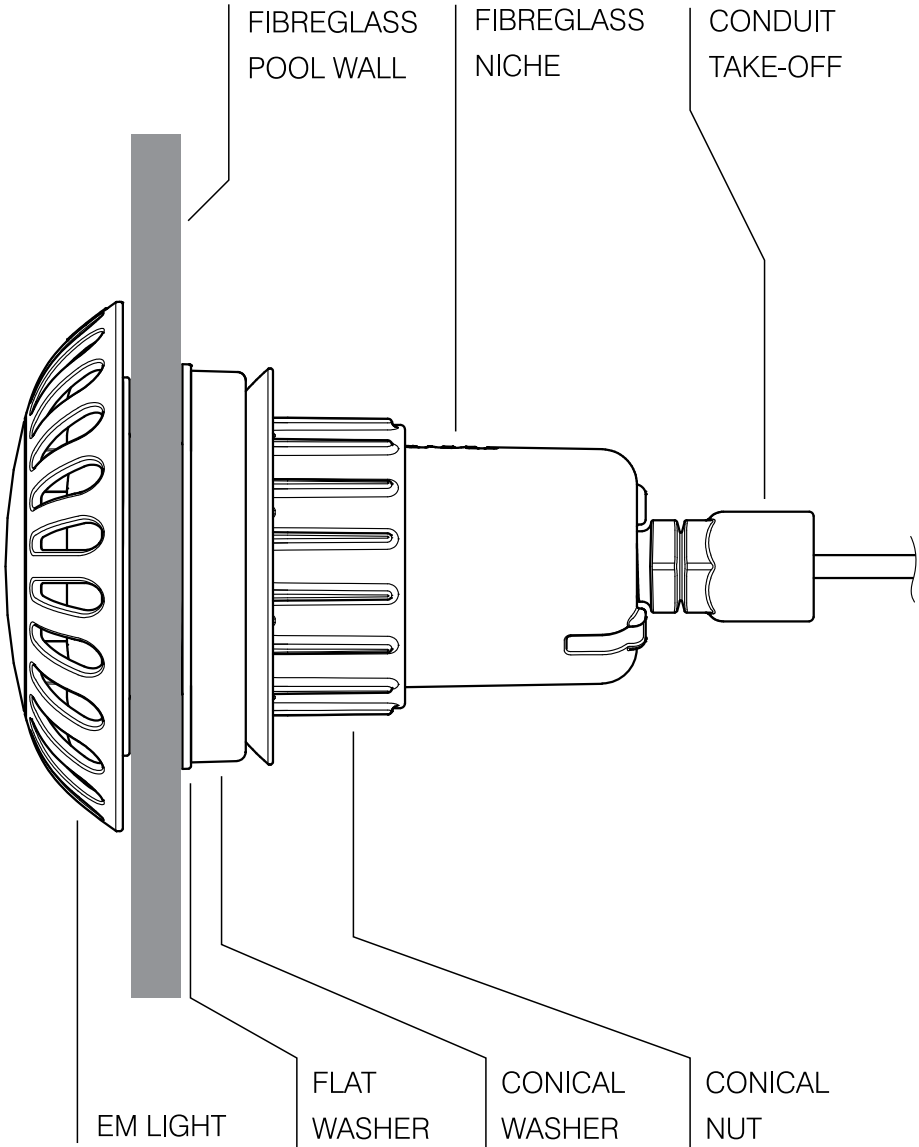
1x



1x

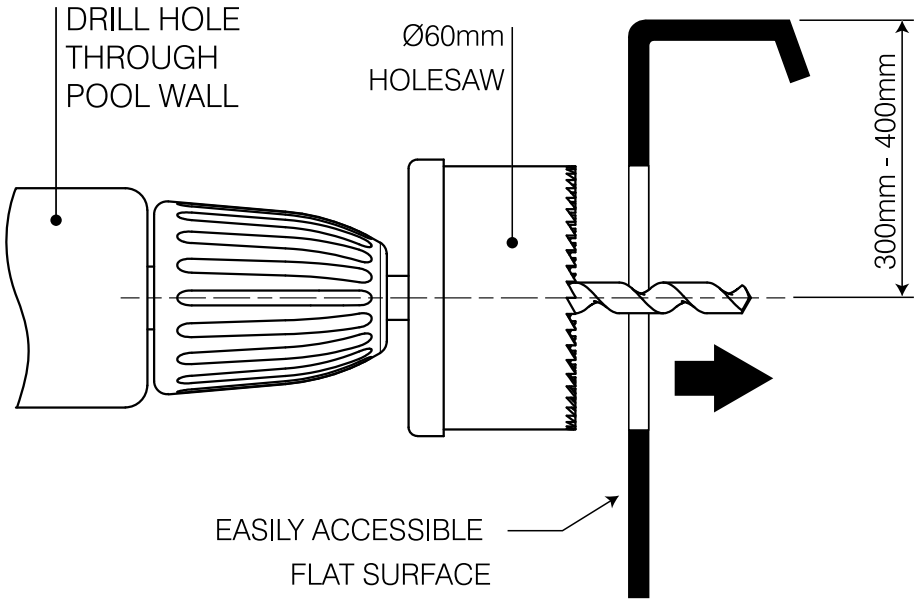
# FINISHED INSTALLATION

MODEL: EMF

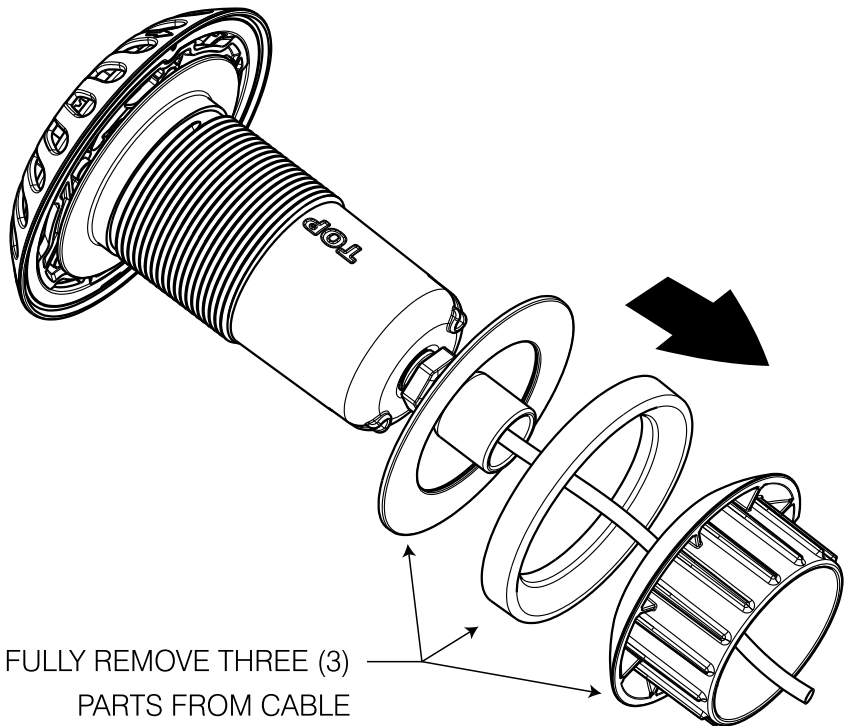




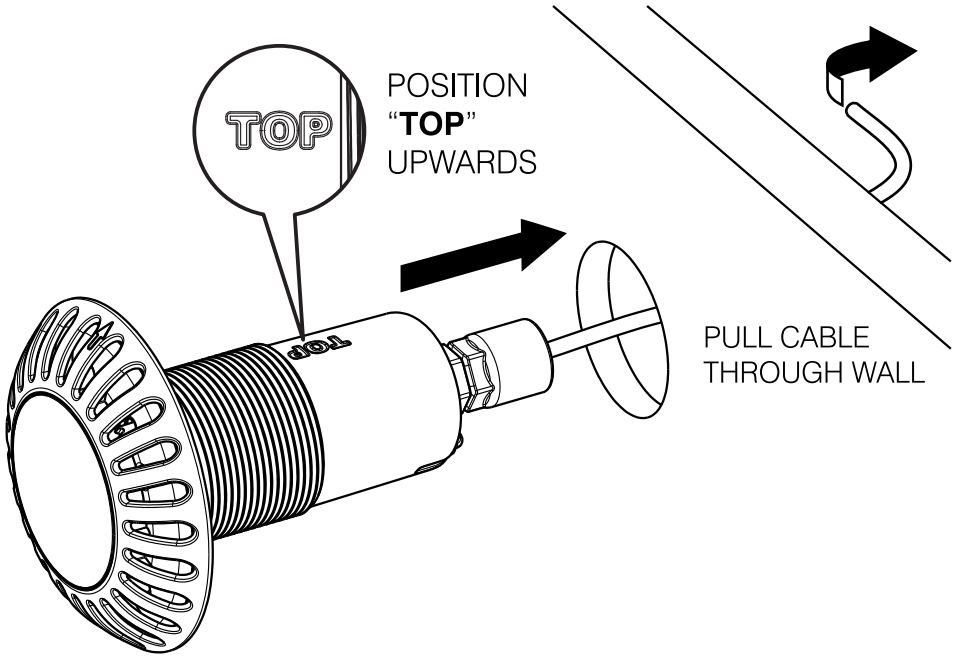
# 1



# 2

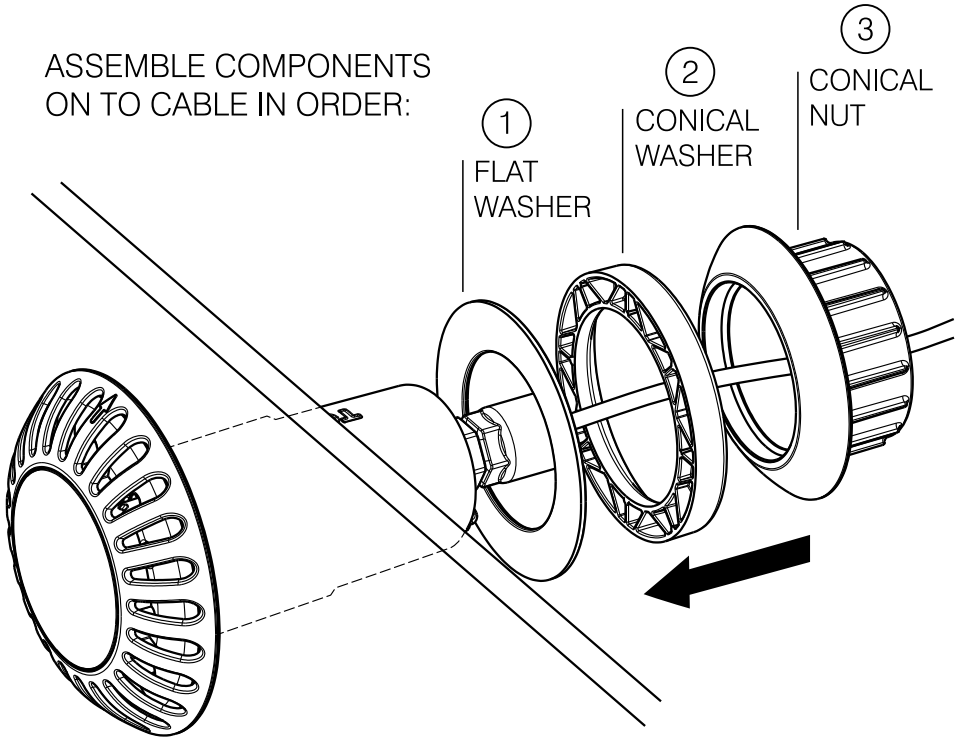


3

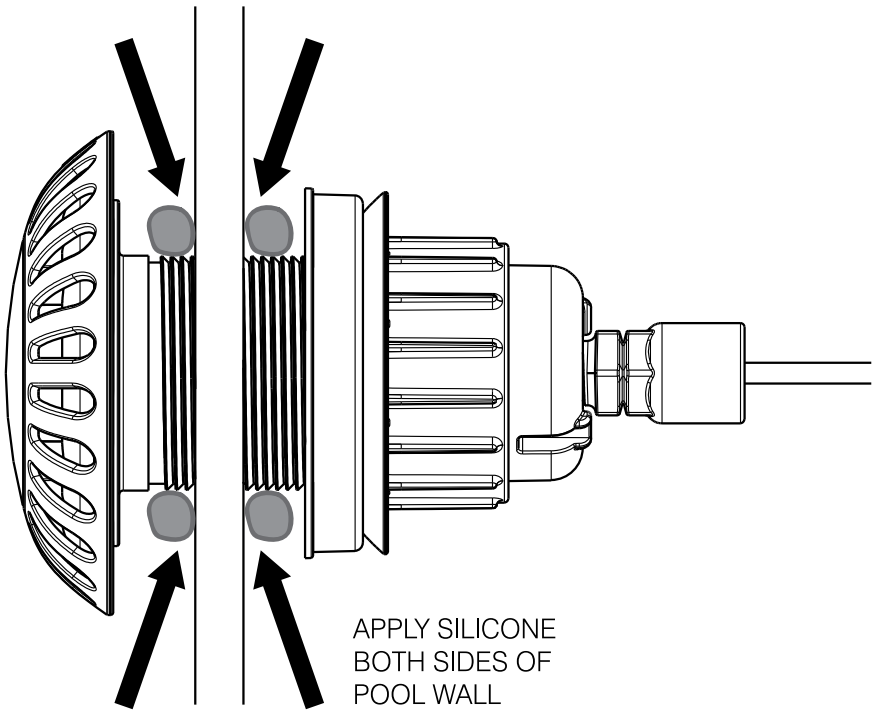


4

ASSEMBLE COMPONENTS  
ON TO CABLE IN ORDER:

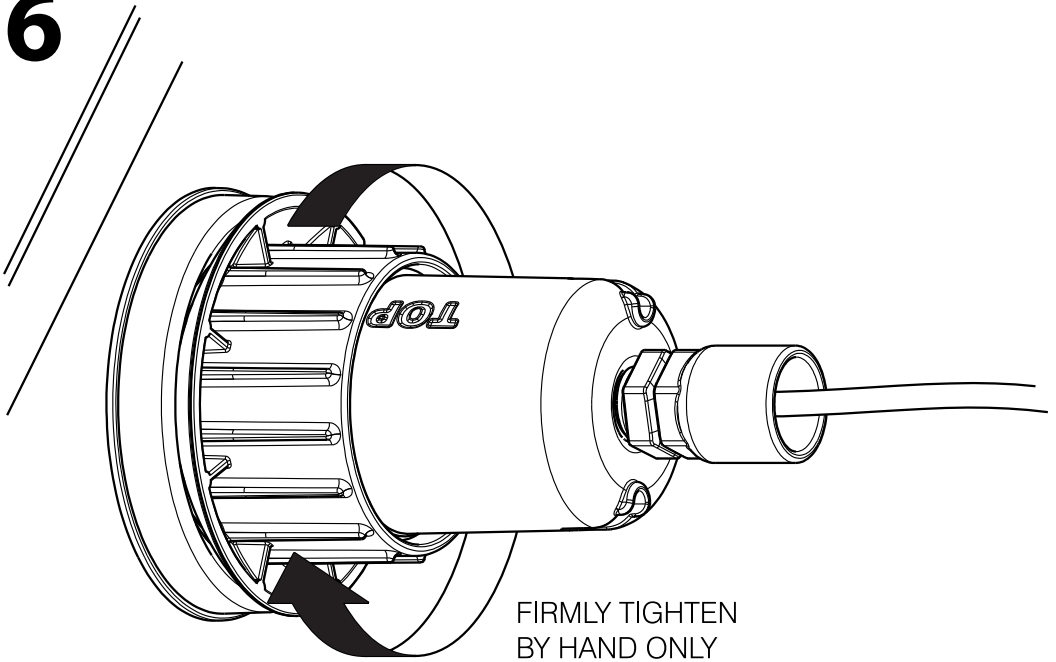


5



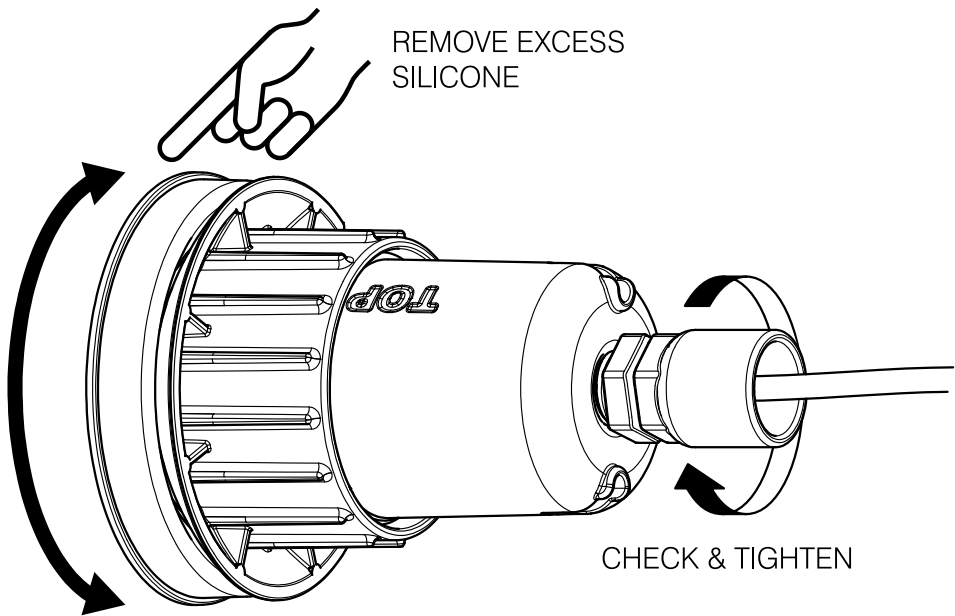
APPLY SILICONE  
BOTH SIDES OF  
POOL WALL

6

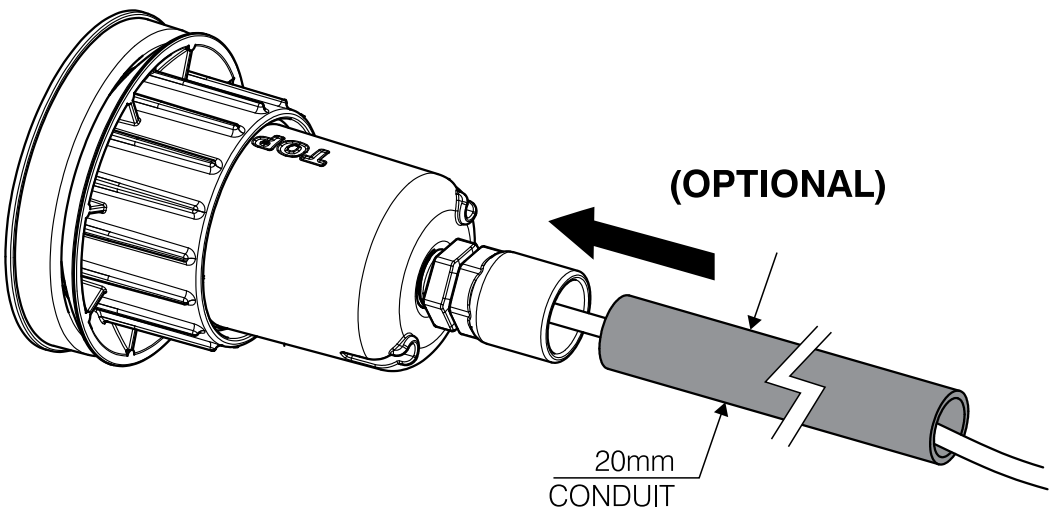


FIRMLY TIGHTEN  
BY HAND ONLY

7

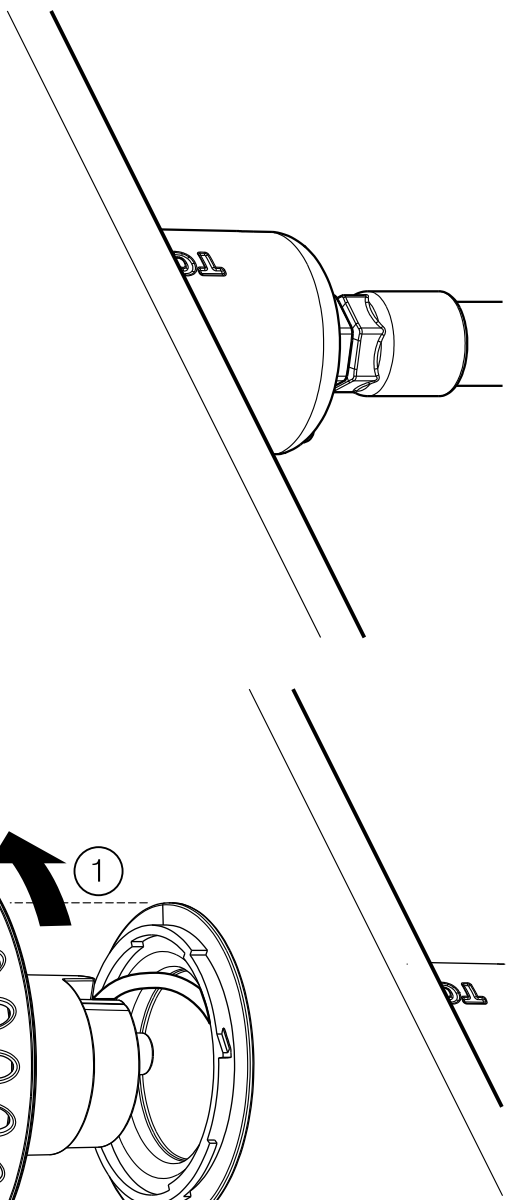
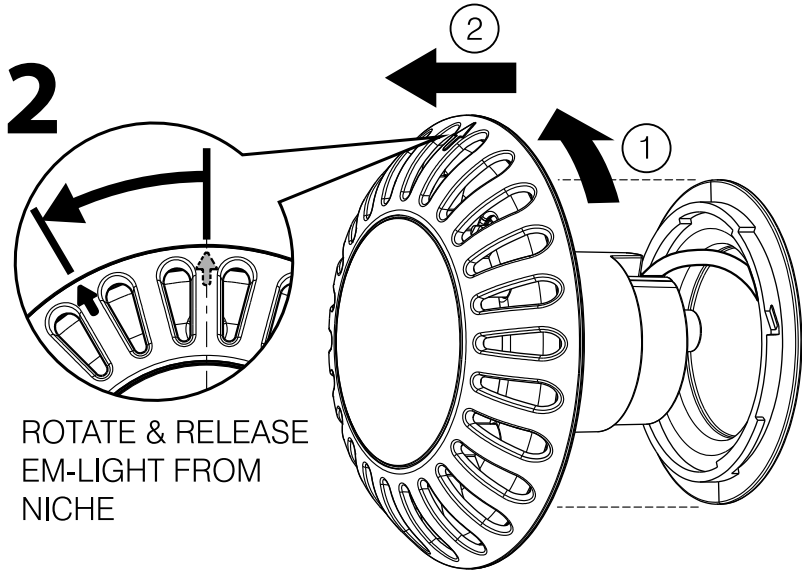
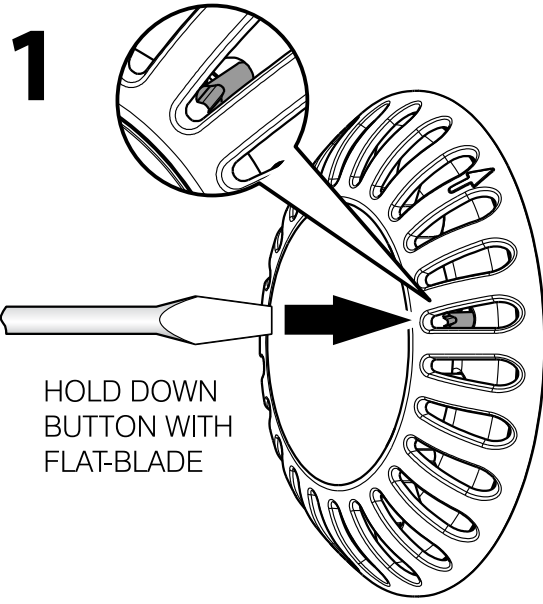


8



# EM-LIGHT REMOVAL

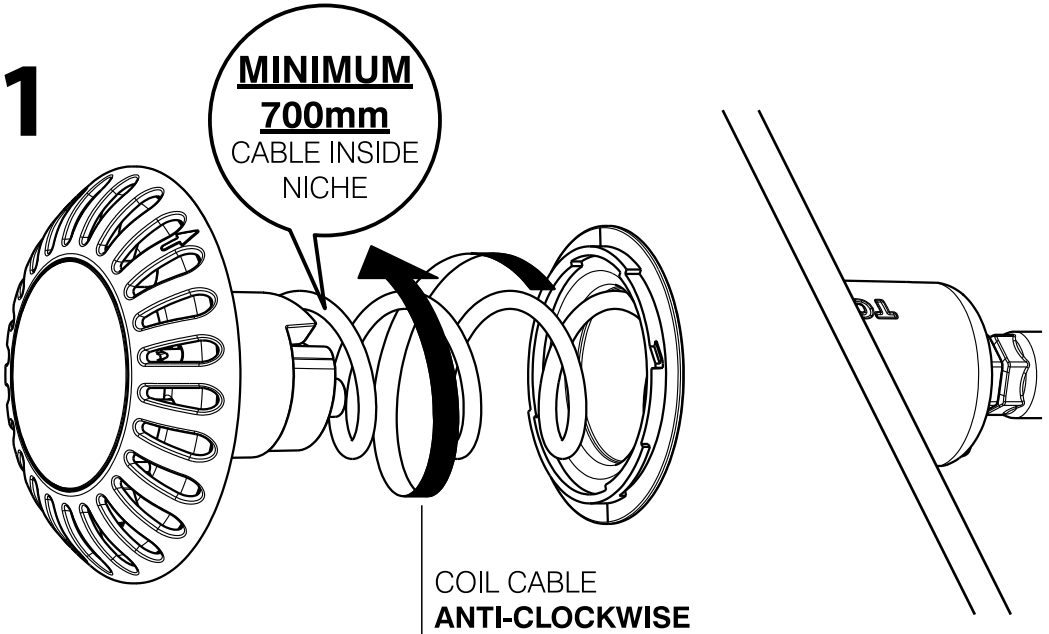
MODEL: EMF



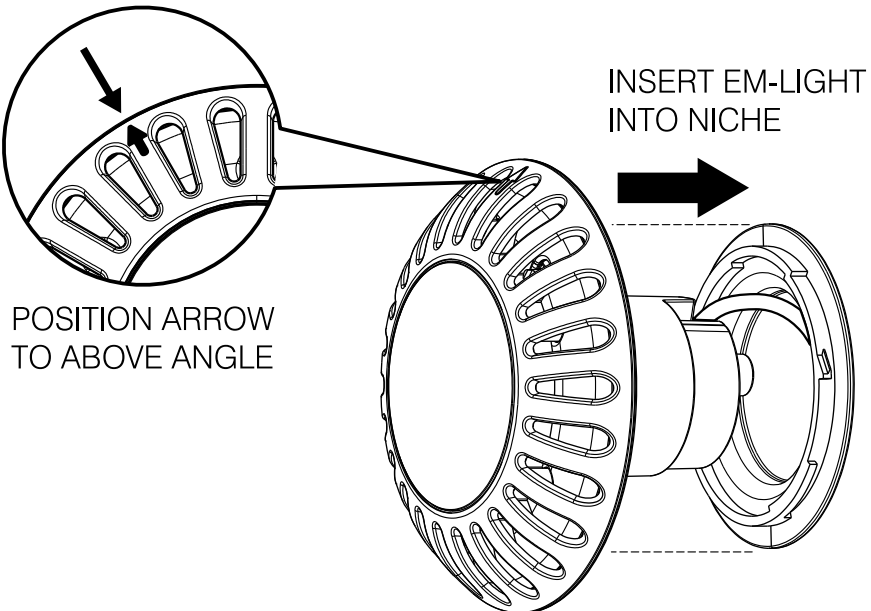
# EM-LIGHT ASSEMBLY

MODEL: EMF

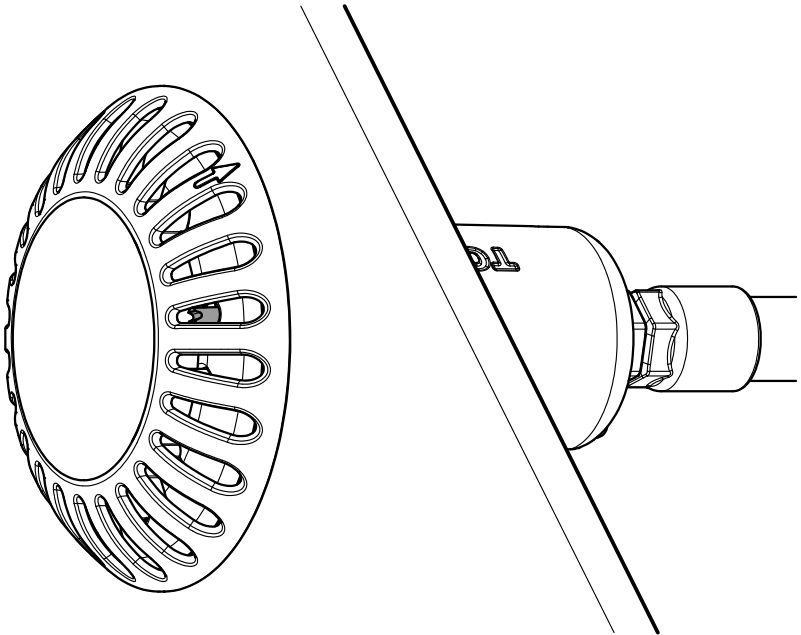
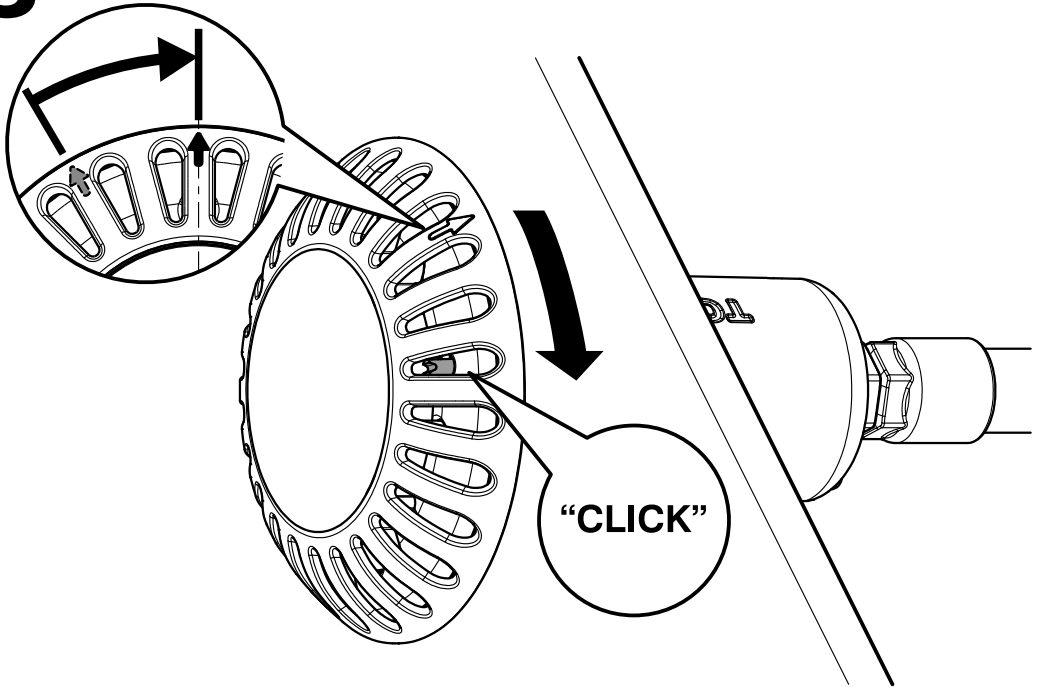
1



2



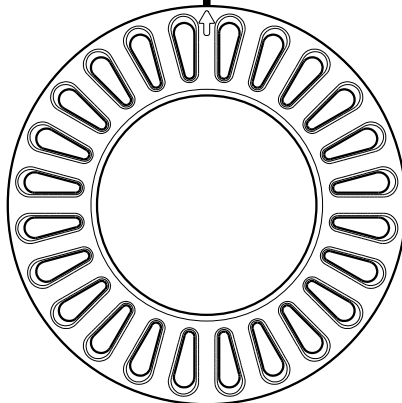
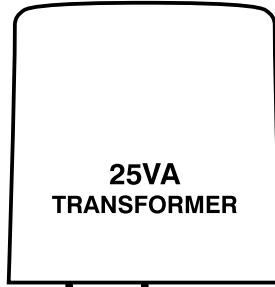
**3**



# CONNECTIONS

## HOW TO CONNECT SINGLE EM-LIGHT

TO G.P.O.

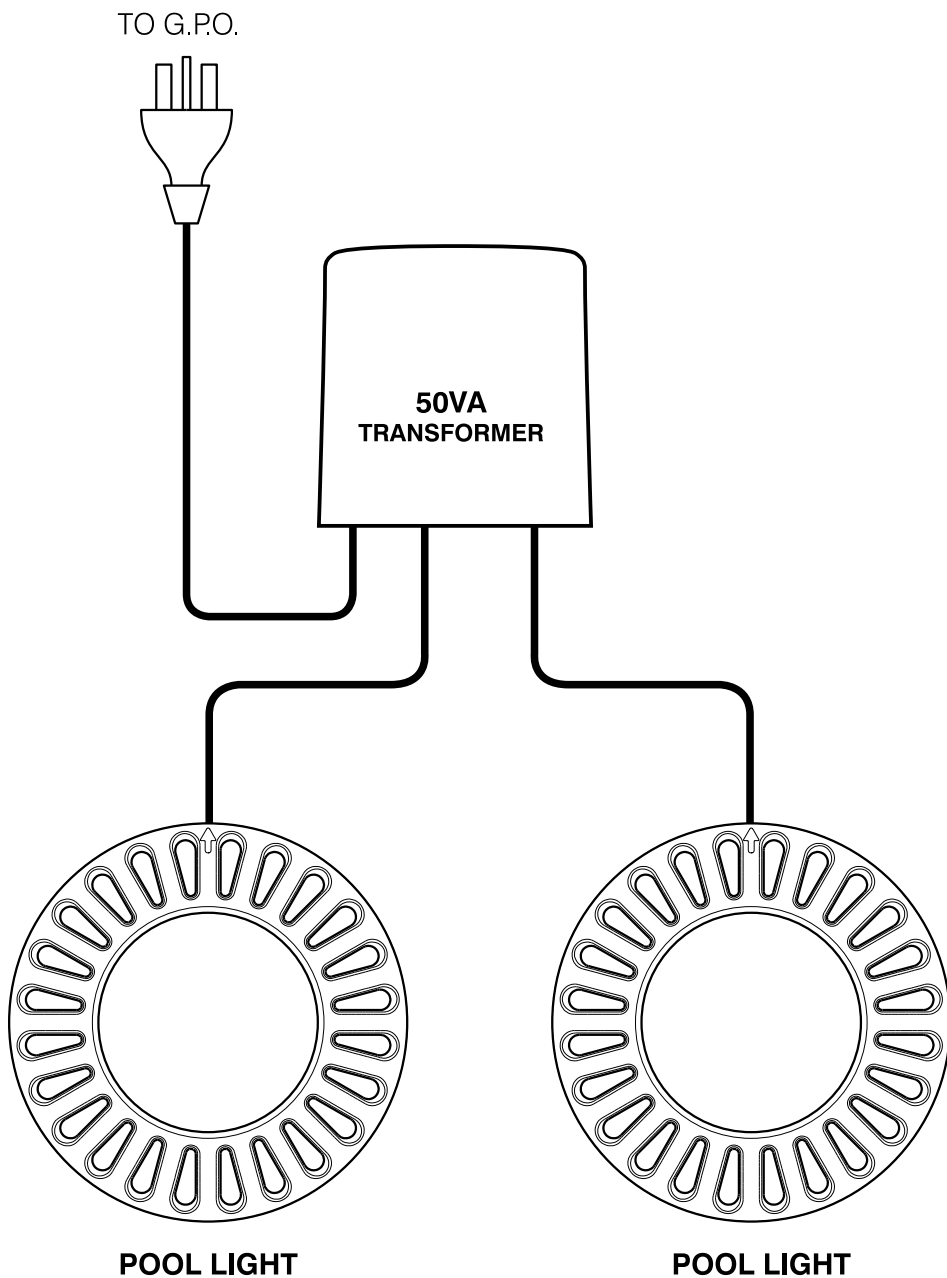


POOL LIGHT



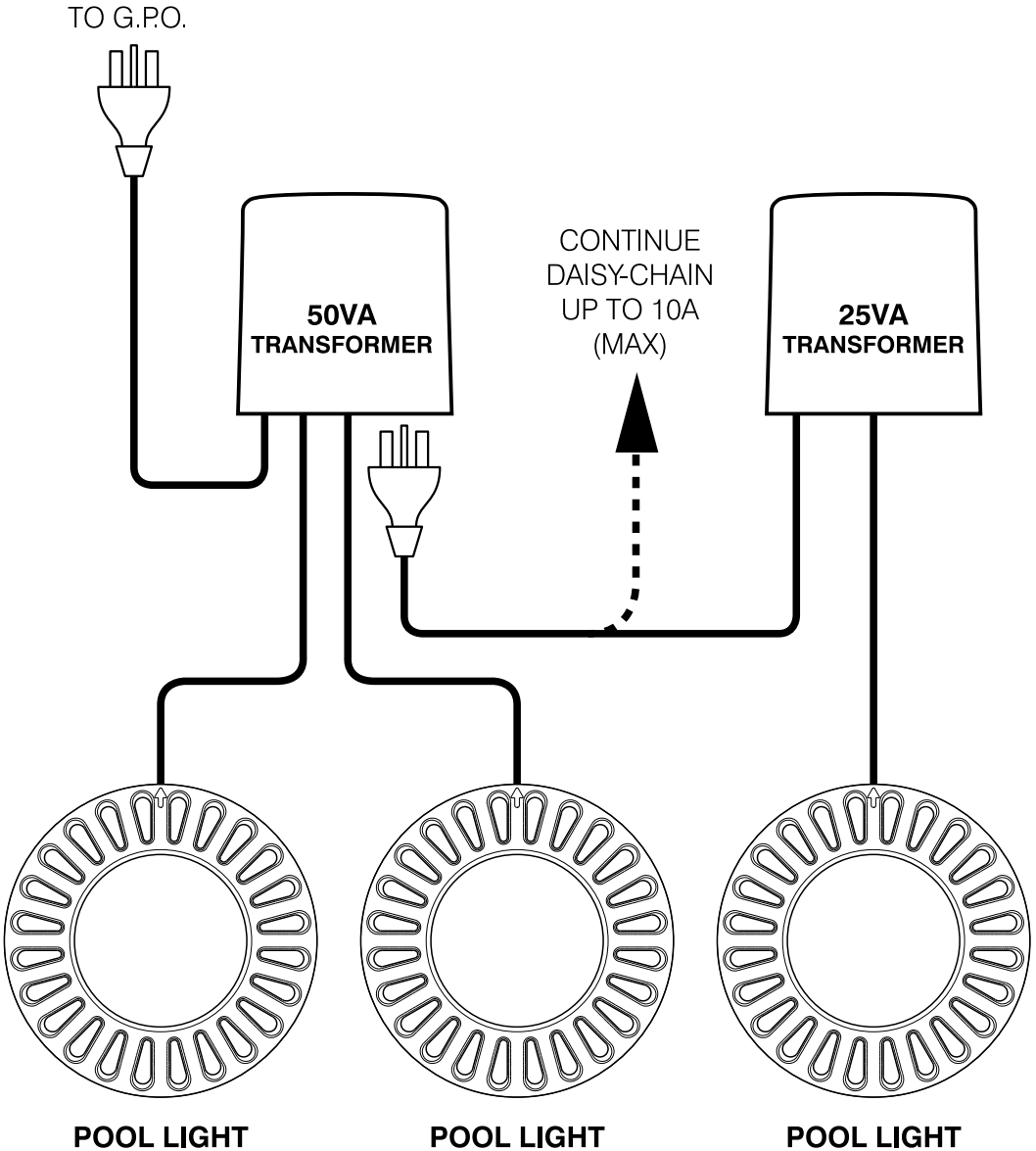
# CONNECTIONS

## HOW TO CONNECT MULTIPLE EM-LIGHTS



# CONNECTIONS

## HOW TO CONNECT MULTIPLE EM-LIGHTS







**NOTE**

PLEASE STORE THIS  
MANUAL IN A SAFE PLACE  
FOR FUTURE REFERENCE



© COPYRIGHT 2018 SPA ELECTRICS PTY. LTD.  
ALL RIGHTS RESERVED