



## DAVEY EcoPure®

Model Numbers:  
DEP2140, DEP2540, DEP2850,  
DEP3250, DEP3650, DEP4050

**GUARANTEE**  
10 YEARS  
Tank  
3 YEARS  
Multiport valve  
1 YEAR  
Gauge, laterals,  
labour

### APPLICATIONS

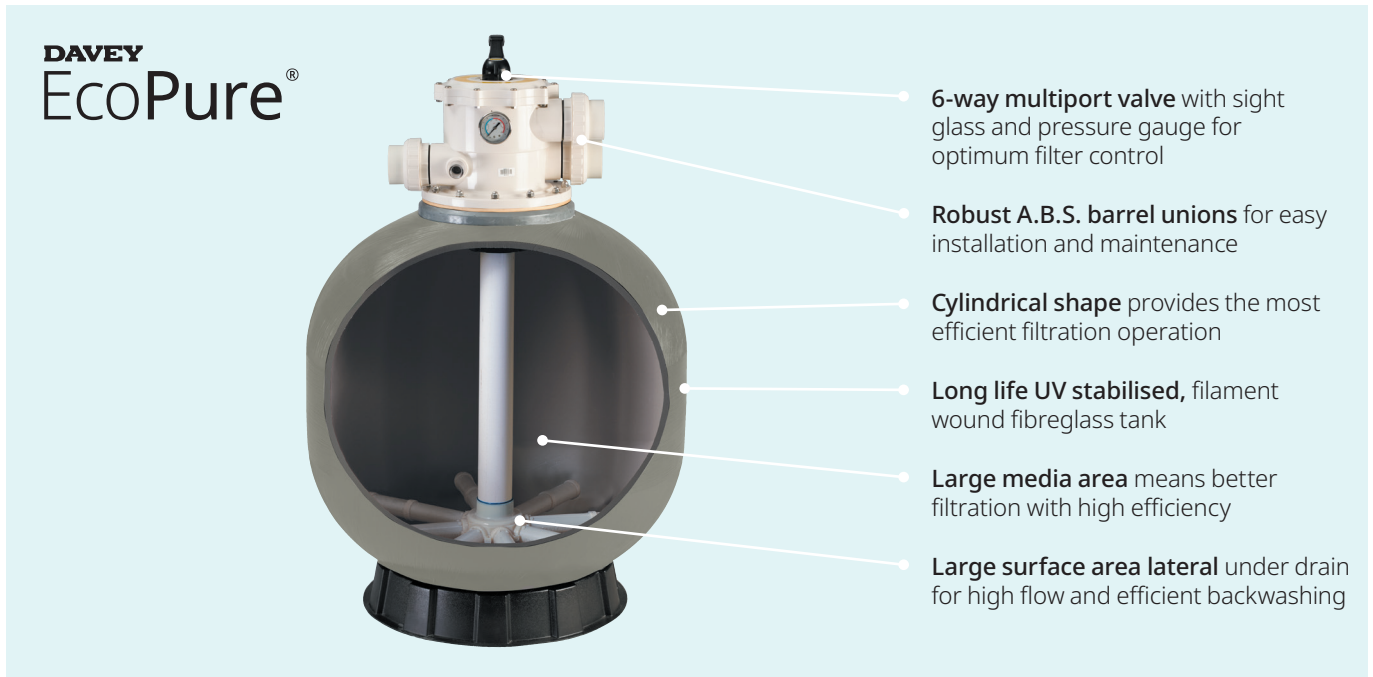
Ideal for inground and above ground pools, swim spas and plunge pools. Suitable for salt, mineral salt and fresh water pools. Models suitable for pools up to 180,000 litres.

## ECO PURE ECONOMIC FIBREGLASS MEDIA FILTER

### FEATURES & BENEFITS

- Easy to use and virtually maintenance free
- Constructed from strong corrosion and UV resistant bobbin wound fibreglass, providing long and reliable working life
- Large media capacity provides better filtration with high efficiency and less frequent backwashing to save water
- 6-way multiport valve
- Stainless steel oil filled pressure gauge makes it easy to see when backwashing is required
- Built-in waste port sight glass for high visibility during backwashing
- Designed for use with sand, Zelbrite and glass media
- 320-370 kPa maximum working pressure

# Fibreglass Media Filters

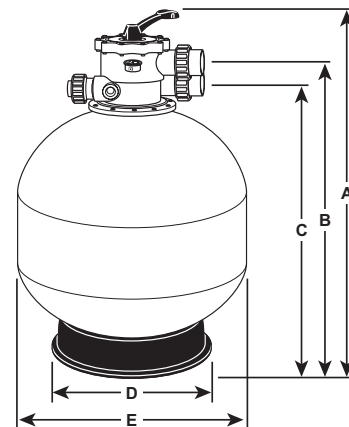


## PERFORMANCE DATA & MEDIA REQUIRED

Model	Size (inches)	Sand Required (kg/bags)	Zelbrite Required (kg/bags)	Glass Required (kg/bags)		Maximum Flow Rate (lpm)	Minimum Backwash Flow Rate (lpm)	6 Hour Turnover (litres)	Filtration Area (m <sup>2</sup> )	Max. Water Temp (°C)/ Operating Pressure (kPa)
				Fine/ Medium	Medium/ Course					
DEP2140	21	85/5	64/5	45/3	30/2	185	123	66,600	0.22	40/320
DEP2540	25	155/8	117/8	75/5	45/3	260	173	93,600	0.32	40/320
DEP2850	28	210/11	158/11	90/6	60/4	325	217	120,960	0.41	40/320
DEP3250	32	250/13	188/13	105/7	75/5	415	277	149,400	0.53	40/370
DEP3650	36	350/18	263/18	165/11	105/7	520	347	187,200	0.66	40/370
DEP4050	40	600/30	450/30	300/20	150/10	650	433	234,000	0.81	40/370

## DIMENSIONS (mm)

Model	A	B	C	D	E	Inlet PVC	Outlet PVC	Waste PVC
DEP2140	844	708	648	486	510		40	
DEP2540	967	831	771	486	635		40	
DEP2850	1080	926	846	486	700		50	
DEP3250	1180	1026	946	714	820		50	
DEP3650	1285	1131	1051	714	920		50	
DEP4050	1406	1252	1172	720	1016		50	



\*Suitable for commercial installations.

## MODEL NUMBER IDENTIFICATION

DEP	25	40
DEP = Davey EcoPure Fibreglass Tank	25 = 25 inch tank diameter	40 = 40mm multiport valve



[daveywater.com](http://daveywater.com)

This literature is not a complete guide to product usage. All images provided in this document are for illustration purposes only. Further information is available from your Davey Dealer, Davey Support Centre and from the relevant product Installation and Operating Instructions. Must be read in conjunction with the relevant product Installation and Operating Instructions and all applicable statutory requirements. Product specifications may change without notice. © Davey is a registered trademark of Davey Water Products Pty Ltd. © Davey Water Products Pty Ltd 2024.

