

# CX20

## CyclonX Robotic Pool Cleaner Owner's Manual

### **⚠ WARNING**

**FOR YOUR SAFETY** - For anything other than the routine cleaning and maintenance described in this manual, this product must be serviced by a pool technician who is licensed and qualified in pool equipment by the jurisdiction in which the product will be installed where such state or local requirements exist. In the event no such state or local requirement exists, the pool technician must be a professional with sufficient experience in pool equipment installation and maintenance so that all of the instructions in this manual can be followed exactly. Improper installation and/or operation will void the warranty.

# Table of Contents

<b>Section 1. Important Safety Instructions.....</b>	<b>3</b>	<b>Section 4. Maintenance.....</b>	<b>10</b>
<b>Section 2. Getting Started.....</b>	<b>4</b>	4.1 Cord Tangling .....	10
2.1 General Specifications .....	4	4.2 Replacing the Brushes .....	10
2.2 Unpacking .....	4	4.3 Replacing the Track.....	11
2.3 Cleaner Control box .....	4	<b>Section 5. Troubleshooting .....</b>	<b>12</b>
2.4 Connecting the Floating Cable to the Control Box.....	5	5.1 Using the Information LED .....	12
<b>Section 3. Operation.....</b>	<b>6</b>	5.2 General Troubleshooting .....	13
3.1 Submerging the Cleaner .....	6	<b>Section 6. Conformity .....</b>	<b>14</b>
3.2 Starting the Cleaner .....	7		
3.3 Wall Climbing (Surface Control System).....	7		
3.4 Stopping the Cleaner and Removing from the Pool.....	7		
3.5 Rinsing the Cleaner.....	8		
3.6 Cleaning the Filter Canister.....	8		
3.7 Storing the Cleaner .....	9		

THANK YOU FOR PURCHASING THIS ROBOTIC POOL CLEANER BY ZODIAC®.

YOUR CLEANER HAS BEEN DESIGNED AND MANUFACTURED TO BE EASILY INSTALLED AND TO PROVIDE LOW MAINTENANCE OPERATION. A WARRANTY CARD IS SUPPLIED IN THE BOX. PLEASE GO TO ZODIAC.COM.AU TO REGISTER FOR WARRANTY.

Taking these steps will help ensure prompt warranty service, should it be required. If service is required, please contact your original dealer. If the original dealer does not perform warranty service, please visit [www.zodiac.com.au](http://www.zodiac.com.au) to locate an independent service company near you. If you are unable to locate a service company, please call our After Sales Support Team at 1300 763 021.

# Section 1. Important Safety Instructions

Congratulations on purchasing the Zodiac® Robotic Cleaner. Please read through the entire manual before installing your new robotic pool cleaner. Your cleaner must be installed and operated as specified.

## READ AND FOLLOW ALL INSTRUCTIONS

### **⚠ WARNING**

**Failure to comply with the following warnings can result in permanent injury, electrocution or death.**

#### **PREVENT ELECTRICAL SHOCK**

To reduce risk of electrical shock:

- The cleaner is to be installed in accordance with the relevant requirements of the Australian wiring rules AS/NZS 3000. Also refer to the installation instructions relating to the swimming pool equipment for which the cleaner will be an integral part. The cleaner is to be supplied through a Residual Current Device (RCD) with a rated residual operating current of 30mA.
- Do not enter pool while the robotic cleaner is in water.
- Do not bury cord. Locate cord so as to prevent it from being damaged by lawn mowers, hedge trimmers and other equipment.
- To reduce the risk of electrical shock, do not use the robotic cleaner or control box if the cord is worn or damaged. Contact Zodiac Customer Care Service 1300 763 021 immediately for proper servicing and replacement of the damaged cord.
- Double insulation—For continued protection against possible electric shock, use only identical replacement parts when servicing. Do not attempt repair of the robotic cleaner, control box, power cord, or floating cable.
- Use only the power supply provided with the product.
- NEVER OPEN Control box.
- DO NOT USE AN EXTENSION CORD TO CONNECT THE UNIT TO ELECTRIC SUPPLY; PROVIDE A PROPERLY LOCATED RCD PROTECTED POWER OUTLET. THE CONTROL BOX SHOULD BE PLACED NEAR THE RCD PROTECTED GFCI POWER OUTLET POINT.

#### **PREVENT CHILD INJURY AND DROWNING**

- To reduce the risk of injury, do not permit children or persons with reduced physical, sensory or mental capabilities, or lack of experience and knowledge to operate this product.
- Do not let anyone, especially small children, sit, step, lean, or climb on any equipment installed as part of your pool's operational system.

### **⚠ CAUTION**

**Failure to comply with the following warnings could cause damage to pool equipment or personal injury.**

- The robotic cleaner must be installed and operated as specified.
- This product is intended for use with permanently-installed pools. Do not use with storable pools. A permanently-installed pool is constructed in or on the ground or in a building such that it cannot be readily disassembled for storage. A storable pool is constructed so that it is capable of being readily disassembled for storage and reassembled to its original integrity.
- Clean the filter canister after each use.
- Do not use the product in your pool if the water temperature is above 35° C (95° F) or below 13° C (55° F).

### **⚠ CAUTION**

#### **USE OF THE ZODIAC ROBOTIC CLEANER IN A VINYL LINER POOL**


Certain vinyl liner patterns are particularly susceptible to rapid surface wear or pattern removal caused by objects coming into contact with the vinyl surface, including pool brushes, pool toys, floats, fountains, chlorine dispensers, and automatic pool cleaners. Some vinyl liner patterns can be seriously scratched or abraded simply by rubbing the surface with a pool brush. Ink from the pattern can also rub off during the installation process or when it comes into contact with objects in the pool. Zodiac Group Australia Pty Ltd is not responsible for, and the Limited Warranty does not cover, pattern removal, abrasion or markings on vinyl liners.

## SAVE THESE INSTRUCTIONS

## Section 2. Getting Started

### 2.1 General Specifications

The general specifications for the cleaner are as follows:

Control box supply voltage 	220-240 VAC, 50 Hz; short circuit-proof safety isolating type
Supply voltage	30 V DC
Installed load	150 W max
Cable length	15m (50 ft)
Cleaner size (WxDxH)	41 x 42 x 25 cm
Weight of Cleaner	9 kg
Filtration	All-purpose filter canister
Cycle lengths	Variable programming

This cleaner is a double-insulated product. A double-insulated electrical appliance is one which has been designed in such a way that it does not require a safety connection to ground. The basic requirement for double-insulation is that no single failure will result in dangerous voltage becoming exposed so that it might cause an electric shock and that this is achieved by having two (2) layers of insulating material surrounding live parts or by using reinforced insulation. Therefore, devices having double-insulated construction, such as this cleaner, do not require a grounded (three-prong) plug.

### 2.2 Unpacking

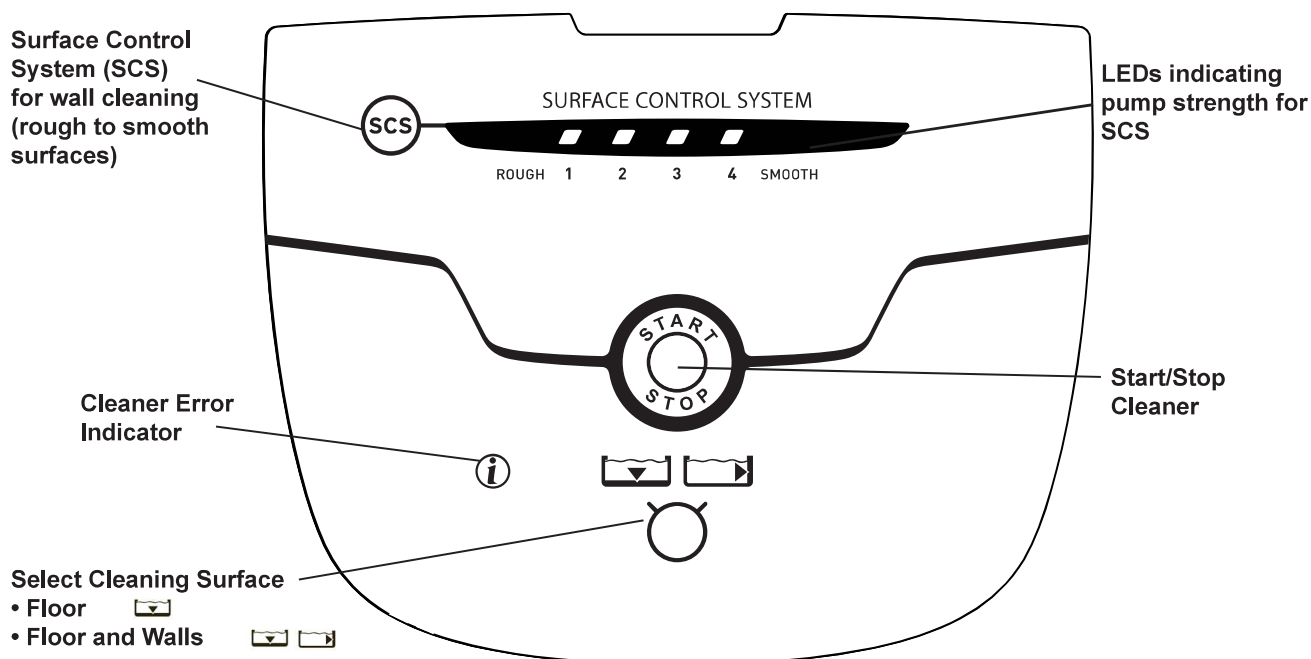
The packaging should contain the following items:

- Zodiac® Robotic Cleaner
- Floating Cable
- Control box

When unpacking the cleaner and its components:

- Check to make sure each component is in the box.
- Check cleaner and components for damage during transport.
- If there are missing parts or damage, contact Zodiac Technical Support: 1300 763 021

### 2.3 Cleaner Control box



## 2.4 Connecting the Floating Cable to the Control Box

### **⚠ WARNING**

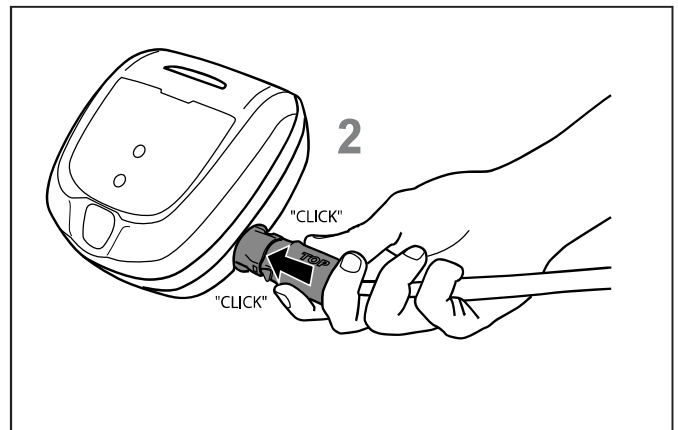
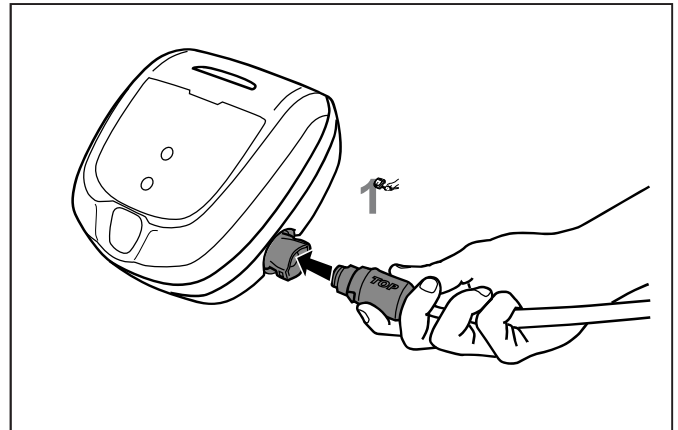
Failure to comply with the following warnings can result in permanent injury, electrocution or drowning.

#### **PREVENT ELECTRICAL SHOCK**

- Keep the Control box at least 3.5 m from the edge of the pool.
- The cleaner is to be installed in accordance with the relevant requirements of the Australian wiring rules AS/NZS 3000. Also refer to the installation instructions relating to the swimming pool equipment for which the cleaner will be an integral part. The cleaner is to be supplied through a Residual Current Device (RCD) with a rated residual operating current of 30mA.
- Do not use an extension cord to connect the Control box.
- Do not allow anyone to swim while the cleaner is in the pool.
- The Control box is water-resistant, not waterproof. In order to prevent electrocution, never submerge the Control box or leave exposed to inclement weather.

#### **To Connect:**

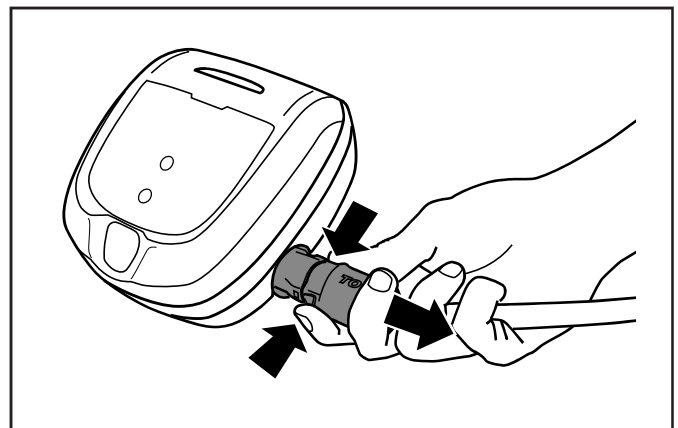
- Rotate the power cord so that TOP is shown on the top side. Press the power cord firmly into the control unit until you hear a "click" (see Figure 1). The clicking indicates the power cord is connected correctly creating a watertight seal.



**Figure 1. Connect the Power Cord**

#### **To Disconnect:**

- Grip the power cord firmly on each side and press two tabs to release (see Figure 2.)



**Figure 2. Disconnect the Power Cord**

## Section 3. Operation

### ⚠ CAUTION

To prevent damage to the cleaner, be sure to adhere to the following guidelines:

- Remove the cleaner from the pool after the cleaning cycle is completed and store out of direct sunlight or inclement weather.
- Take additional care when lifting the cleaner out of the pool. It becomes heavier when filled with water.
- Always remove the cleaner from pool before adding chemicals.
- Do not handle cleaner while it is in operation.

### IMPORTANT

- Always make sure the cleaner head is fully submerged before you begin operation.
- Clean the filter canister after each cleaning cycle.
- Do not leave your cleaner in the pool on a permanent basis.
- At the end of each cycle, remove the cleaner from the pool. Start at the cleaner head and untangle any coils in the cable before storing the cleaner.

The Zodiac® robotic cleaner includes a safety feature that automatically stops the cleaner if it is powered on but not submerged in water. For pools equipped with a beach area, this safety feature is programmed to drive the cleaner in reverse and back into the pool when the impeller is out of the water.

### 3.1 Submerging the Cleaner

1. Submerge cleaner vertically (1) and hold it under the surface, moving gently from side to side (2) until the bubbles stop to remove any air trapped inside (Figure 3).
2. When the bubbles stop, allow the cleaner to sink to the bottom of the pool.
3. Verify the cleaner is sitting on the bottom of the pool. Remove additional air if the cleaner is still floating.

**NOTE:** The cable side of the cleaner remains up as long as the cleaner fan motor is OFF. As soon as you turn the cleaner ON, the handle lowers.

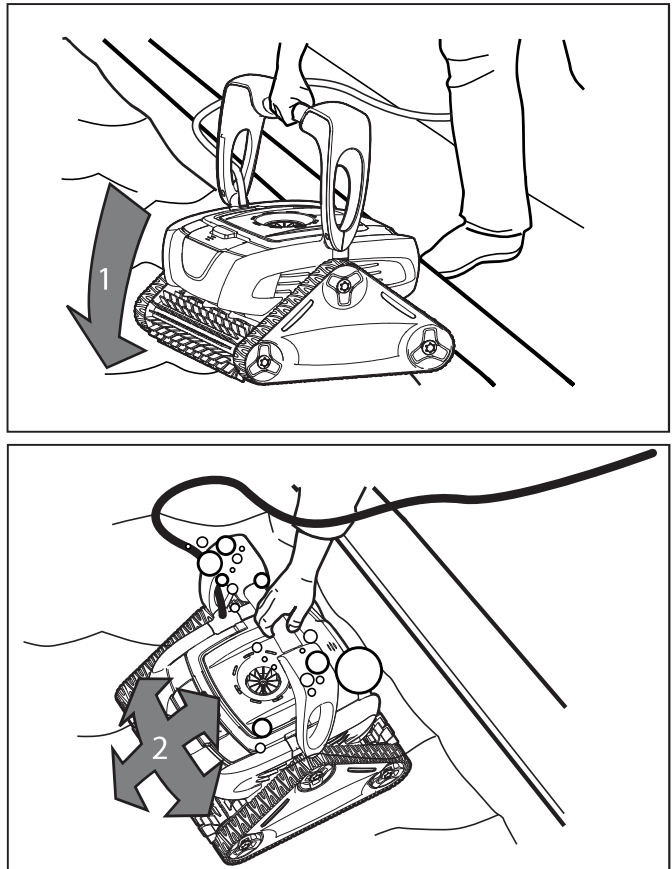


Figure 3. Submerge and Remove Trapped Air

4. Spread the floating cable over the pool, making sure there are no kinks or coils in the cable. Allow enough floating cable for the cleaner to reach the farthest point of the pool (Figure 4).

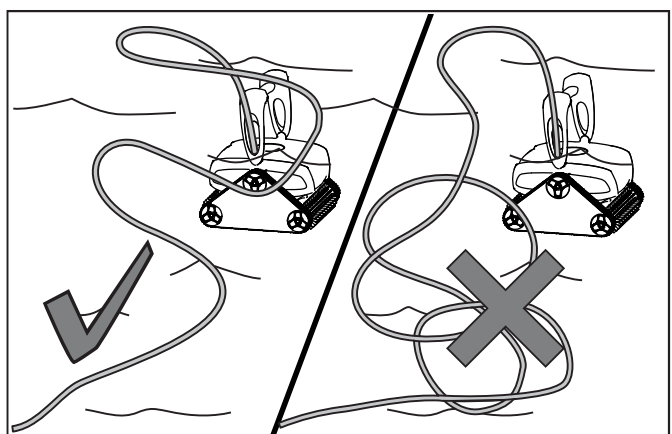




Figure 4. Spread Floating Cable Over the Pool

### 3.2 Starting the Cleaner


The first time you use the cleaner, the cleaning surface setting is Floor and Wall . After the first time, the default is the last setting used.

#### Select Cleaning Surface:

- Use  to change cleaning surface setting.



#### Begin Cleaning:

- After selecting the cleaning surface, press  to begin operation.
- At the beginning of the cycle, the cleaner remains in place for a few seconds to initialize the microcontroller after the fan motor starts.

### 3.3 Wall Climbing (Surface Control System)


The cleaner has the ability to clean the pool walls up to the waterline. How much the cleaner needs to grip to the wall depends upon the pool surface.

#### Grip Intensity Indicator:

Surface Control System (SCS) settings are as follows for different pool surface types:



#### Check Wall Climbing Setting:


- Start the cleaner and watch as the cleaner climbs each wall. If grip setting is correct, the cleaner will easily climb the wall and clean up to the waterline. The default setting is :

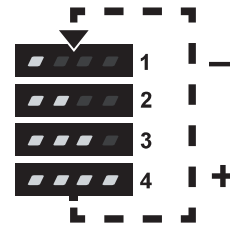
**NOTE:** Wall climbing is programmed in a randomized (SMOOTH) pattern. Cleaner may climb wall and not reach waterline until third or fourth attempt in order to thoroughly clean wall surface below the waterline first.

- Adjust the wall climbing setting as necessary using the following guidelines:
  - Increase:** if cleaner is climbing the wall slowly and stays below the waterline.
  - Decrease:** if cleaner is climbing the wall too quickly and sucking air at the waterline.


#### Adjust SCS Wall Climbing Setting:

You can change the wall climbing setting at any time during cleaner operation with the SCS button. The new setting will be active when the cleaner climbs the next wall.

- Press  to adjust the wall climbing setting one level higher.
- One additional LED lights each time you press the button to indicate stronger grip on the wall.
- To decrease setting, press button to cycle through back to one LED (lowest setting).



### 3.4 Stopping the Cleaner and Removing from the Pool

- Press  to interrupt operation.
- When the cleaner is within arm's reach, use the handle to lift it from the water (Figure 5). Never lift the cleaner out of the pool by the floating cable.

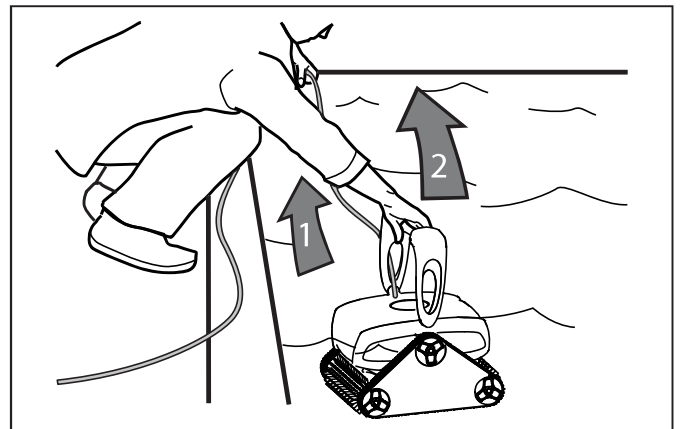


Figure 5. Lift Cleaner From Pool with Handle

3. Hold the cleaner vertically over the pool surface to drain water before removing (Figure 6).

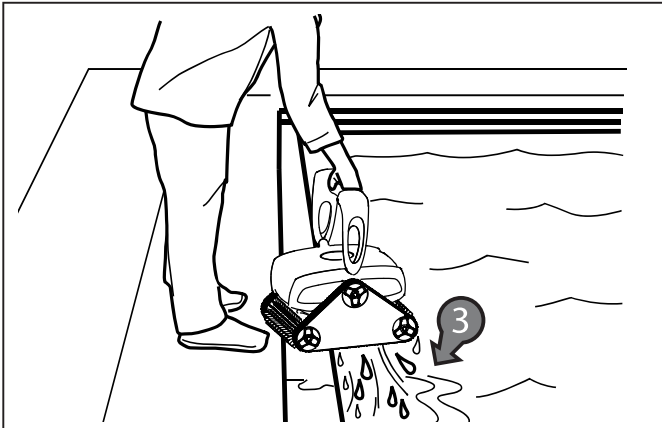


Figure 6. Lift Cleaner From Pool with Handle

### CAUTION

Use care and correct lifting technique when lifting heavy objects. Incorrect removal of the cleaner from the pool can cause muscle strain or back injury.

### 3.5 Rinsing the Cleaner

Rinse the cleaner after every cleaning cycle. Use slightly soapy clean water, then rinse generously with clean water. Do not use solvents such as acetone or its equivalent. Do not let your cleaner dry in direct sunlight near the pool.

### 3.6 Cleaning the Filter Canister

#### ⚠ WARNING

To avoid electric shock and other hazards which could result in permanent injury or death, disconnect (unplug) the control box from the power source before performing any cleaning and maintenance.

1. Unplug the floating cable at the Control box. Unplug the Control box from the power source.
2. Press the Push 'n' Go button (1) to release the filter canister handle (2) (Figure 7).

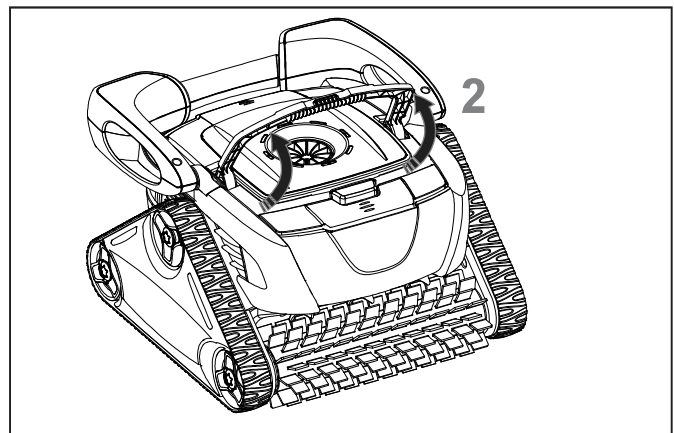
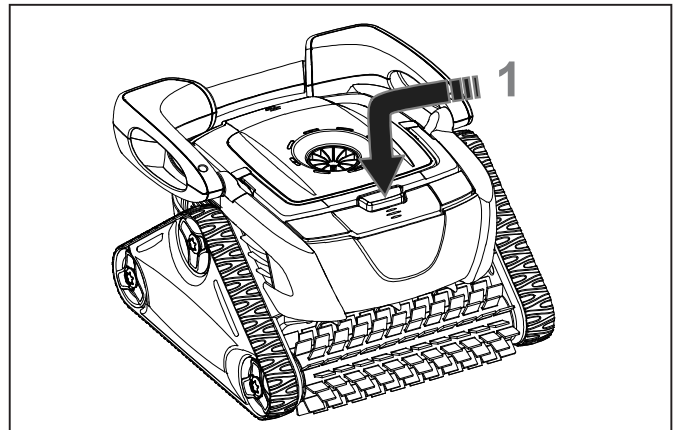
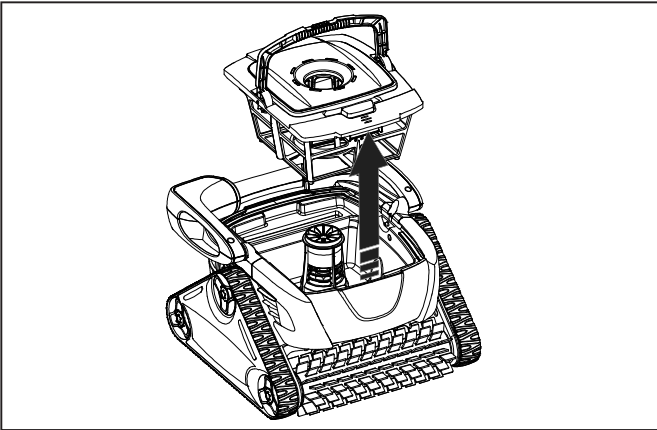


Figure 7. Release Filter Canister Handle

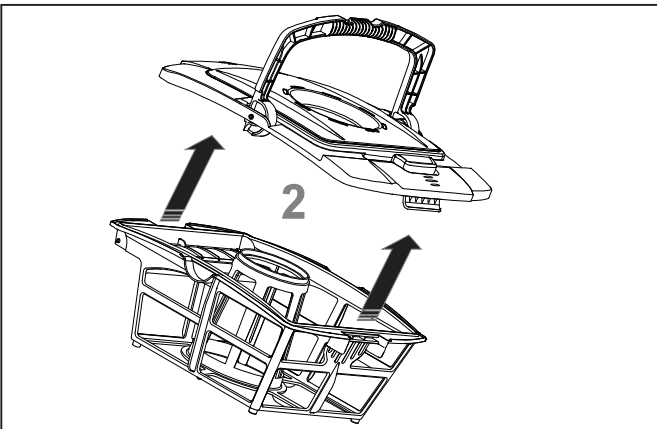
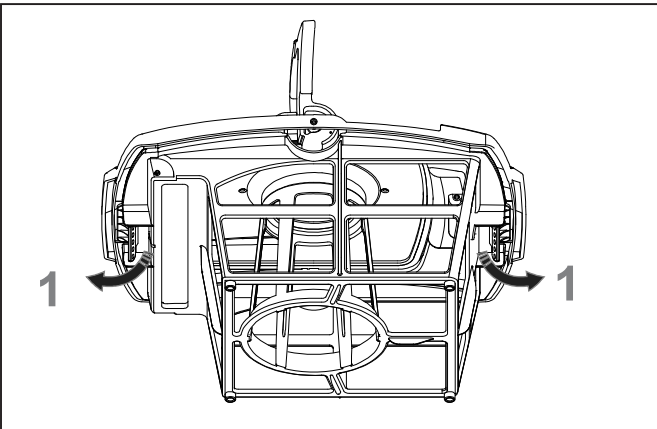


3. Grasp the handle and lift up to remove the filter canister (Figure 8).



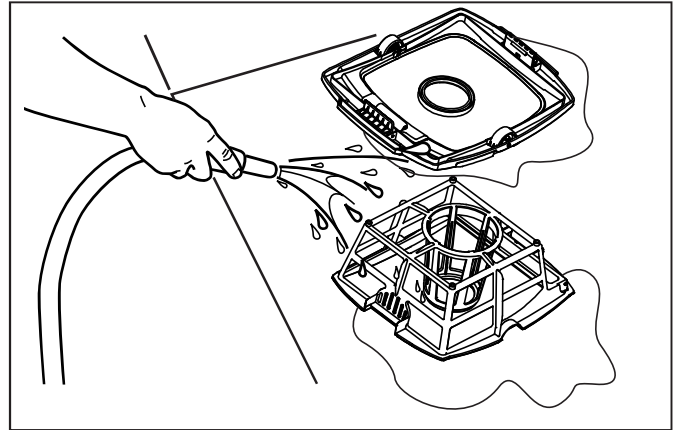
**Figure 8. Remove the Filter Canister**

4. Press two latches (1) and remove the filter canister lid (2). See Figure 9.



**Figure 9. Remove Filter Canister Lid**

5. Using a hose with clean water, rinse the filter canister and lid to remove all debris (Figure 10).



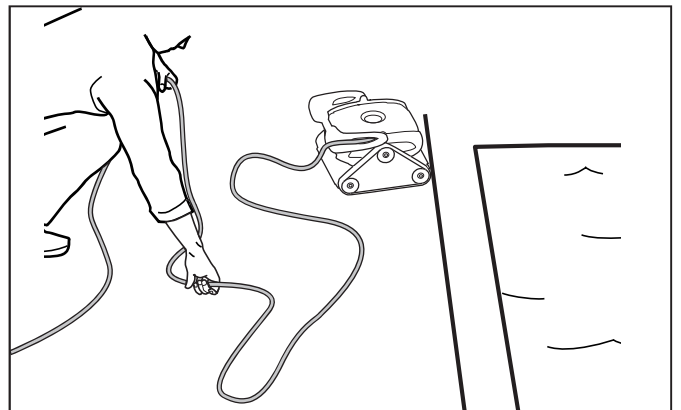
**Figure 10. Rinse the Filter Canister**

6. Let the lid and filter canister dry.
7. Replace lid on the canister and then replace canister back into the cleaner body.
8. Plug the floating cable back into the Control box and store the cleaner out of direct sunlight for next use.

### 3.7 Storing the Cleaner

Do not let your cleaner dry in direct sunlight near the pool.

1. Starting at the cleaner head. Remove all coils and tangles from the cable (Figure 11).
2. Store the cleaner out of direct sunlight.



**Figure 11. Untangle the Floating Cable**

## Section 4. Maintenance

### **⚠ WARNING**

To avoid electric shock and other hazards which could result in permanent injury or death, disconnect (unplug) the cleaner from the power source before performing any cleaning and maintenance.

#### 4.1 Cord Tangling

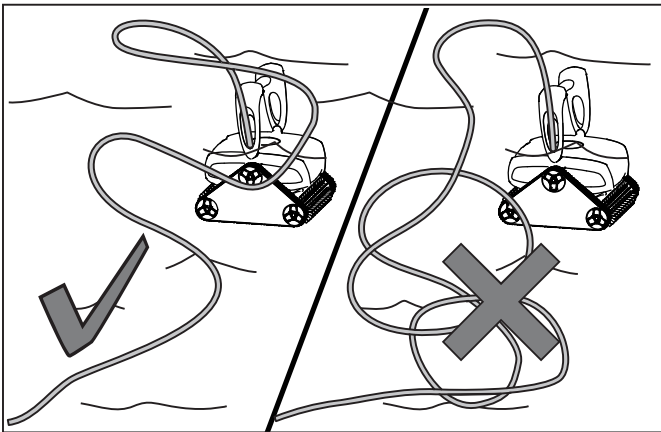


Figure 12. Correct Floating Cable

### **IMPORTANT**

The floating cable may become tangled if correct procedure is not followed after each cleaning cycle.

#### After every cleaning cycle:

1. Unplug the floating cable from the Control box.
2. Remove the cleaner from the pool and untangle all kinks and coils in the floating cable starting at the cleaner head (Figure 13).
3. Plug the floating cable back into Control box and store cleaner out of direct sunlight for next use.

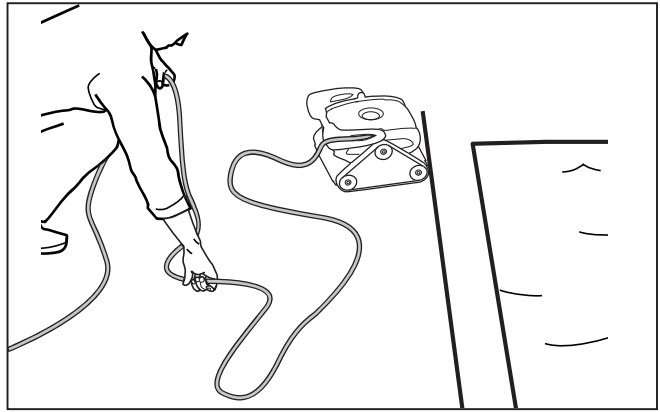


Figure 13. Untangle the Floating Cable

#### 4.2 Replacing the Brushes

The cleaner is fitted with PVC brushes in front and rear. There are "wear" indicators (Figure 14) on the brushes. To maintain cleaner performance at its best you need to replace the brush matt as soon as one of the wear indicators has been reached (even if the bristle wear is not even). Zodiac Group Australia Pty Ltd recommends that you replace the brushes every two (2) years.

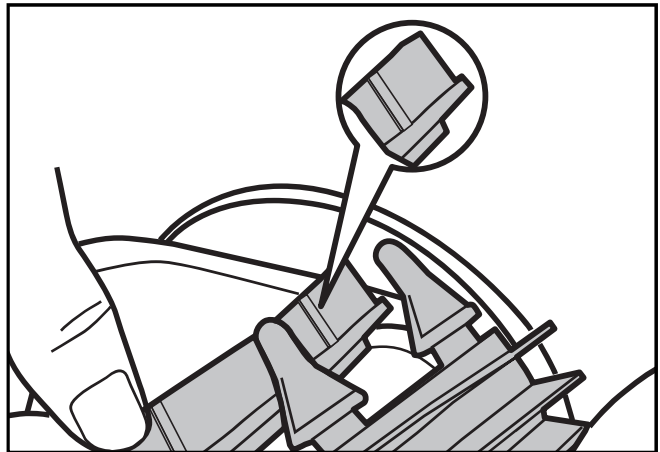


Figure 14. Wear Indicators

1. Stand the cleaner on its end in a vertical position (Figure 15).

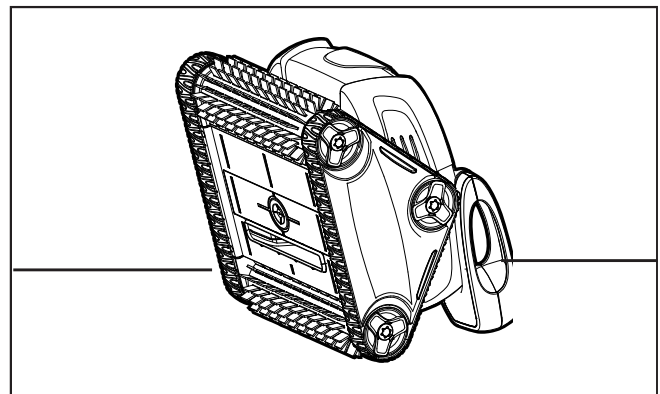
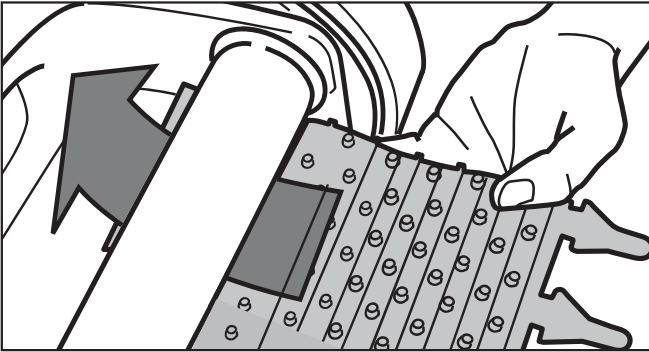


Figure 15. Stand Cleaner Upright

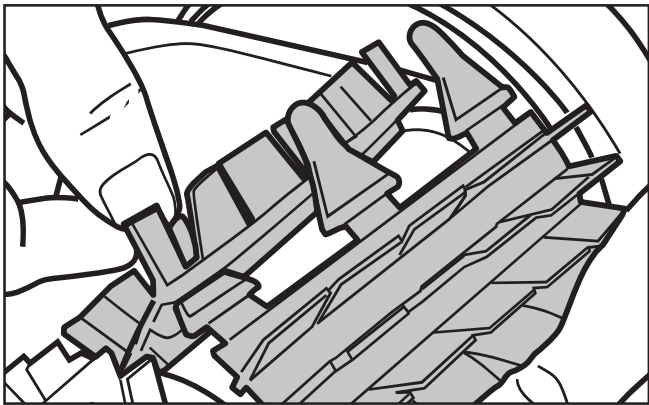
2. Separate the edges of the brush, undo the tabs, and remove the worn matt.

3. Position the new brush matt underneath the roller with the bristles facing downwards. Refer to Figure 16.



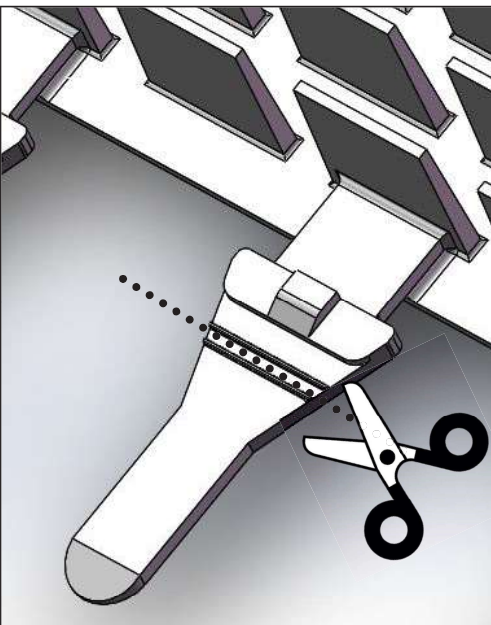
**Figure 16. Position the New Brush on Roller**

4. Thread each tab into the slot provided and gently feed it through until the heel comes out at the other side of the slot. Refer to Figure 17.



**Figure 17. Pull Tabs Through Each Slot**

5. Use scissors to cut the tabs at the guides, as shown in Figure 18.

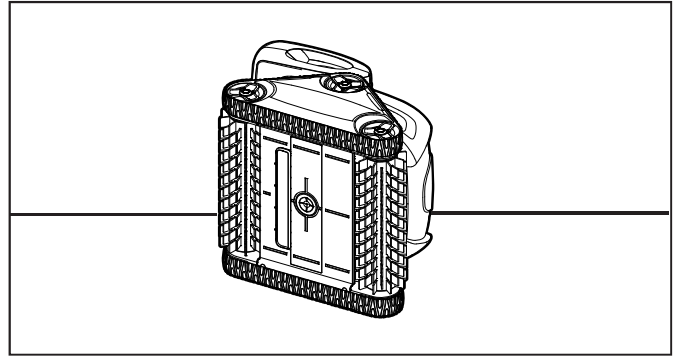


**Figure 18. Cut Tabs**

6. Repeat this procedure to replace the second brush matt.

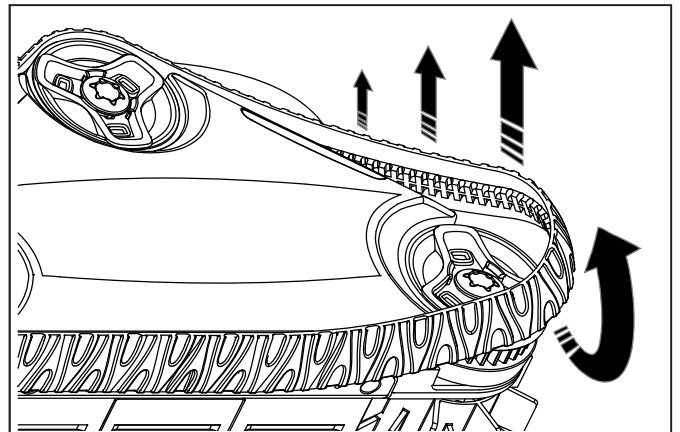
### 4.3 Replacing the Track

1. Stand the cleaner on its side (Figure 19).



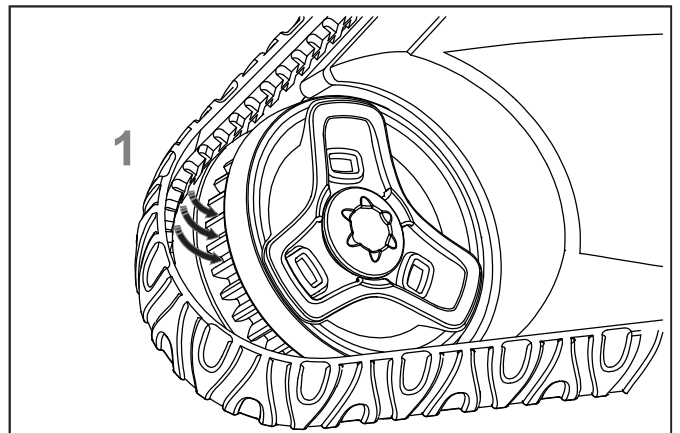
**Figure 19. Stand Cleaner on its Side**

2. Starting at one of the wheels, pull on the inside of the track to separate the tire lip from the wheel. See Figure 20. Remove the track from the cleaner.



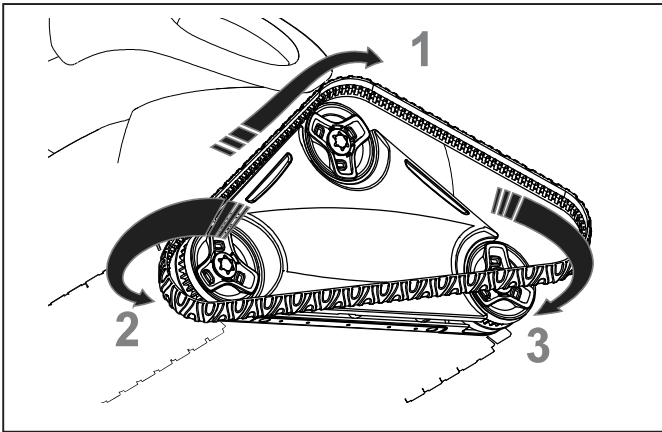
**Figure 20. Pull the Track Over Wheels to Remove**

3. To install a new track, place the inside rib of the track into the groove in the first wheel. See Figure 21.



**Figure 21. Position Track into Wheel Grooves**

4. Stretch the track around the second wheel, then pull over the last wheel (see Figure 22). Push and position the rib of the track so that the track is seated properly in the groove of the wheel.




**Figure 22. Stretch Track Around Wheels**

5. Verify the rib of the track is positioned properly within the groove of each of the three wheels and under the track guide. If necessary, turn the wheels gently to seat the track.

## Section 5. Troubleshooting

### 5.1 Using the Information LED

The information LED  on the Control box flashes in a specific sequence to indicate one of three possible cleaner malfunctions.

LED Flashing	Cause	Solution
<b>1 Flash</b> LED flashes once	Floating cable may not be plugged into the Control box correctly.	Unplug the floating cable from the Control box and reconnect. If the problem persists, contact Zodiac After Sales Support at 1300 763 021
<b>2 Flashes</b> LED flashes twice	Cleaner wheels may be jammed or brushes may be blocked with debris.	Turn cleaner wheels to ensure they are not jammed. Check brushes for debris. Start a new cleaning cycle. If the problem persists, contact Zodiac After Sales Support at 1300 763 021.
<b>3 Flashes</b> LED flashes three	Pump axis or propeller may be jammed with debris.  Dirty filter.	Check the pump axis for debris. Check propeller for debris. Clean the filter. Start a new cleaning cycle. If the problem persists, contact Zodiac After Sales Support at 1300 763 021.

## 5.2 General Troubleshooting

The following table lists some of the common symptoms, causes, and solutions for correcting cleaner operation problems.

Problem	Cause	Solution
The Information LED flashes just after Start.	Floating cable may not be plugged into the Control box correctly.	Remove cleaner from the pool. Unplug floating cable from the Control box and reconnect.
	Cleaner may not be fully submerged.	Remove cleaner from the pool and re-submerge, see <i>Submerging the Cleaner</i> .
	Cleaner may need to be reset and begin a new cycle.	Remove cleaner from the pool. Press power button OFF, then begin a new cycle.
	Propeller may be jammed and not turning correctly.	Remove cleaner from the pool. Contact Zodiac After Sales Support at 1300 763 021.
	Wheels may be jammed and not turning correctly.	Remove cleaner from the pool. Contact Zodiac After Sales Support at 1300 763 021.
The Information LED flashes during the cleaning cycle.	Cleaner may be sucking air (lights will appear after 60 seconds air intake)	Remove cleaner from the pool and re-submerge, see <i>Submerging the Cleaner</i> .
The cleaner does not stay firmly on the pool bottom.	There is air in the appliance casing.	Remove cleaner from the pool and re-submerge, see <i>Submerging the Cleaner</i> .
	The filter canister is full or dirty.	Remove cleaner from the pool. Clean the filter canister, see <i>Cleaning the Filter Canister</i> .
The cleaner does not or no longer climbs the pool walls.	The filter canister is full or dirty.	Remove cleaner from the pool. Clean the filter canister, see <i>Cleaning the Filter Canister</i> .
	Walls of pool are slippery or slimy. Although the water seems clear, microscopic algae, invisible to the human eye, are present in the pool. As a result the pool sides become slippery and prevent the cleaner from climbing. Check tires for wear and replace as necessary.	Remove cleaner from the pool. Do a shock chlorination treatment to eliminate algae. DO NOT leave the cleaner in the pool during this treatment.
On startup the cleaner does not move.	No power supply to the cleaner.	Remove cleaner from the pool. Check that the power outlet to which the Control box is connected is operating correctly by plugging another device into the power outlet..
	Unit is turned OFF.	Remove cleaner from the pool. Turn the wheels then disconnect the Control box and wait at least 20 seconds before reconnecting. If the problem persists, contact Zodiac After Sales Support at 1300 763 021.
Cable is tangling in the pool	Too little cable length in the water.	Remove cleaner from the pool. Do not unravel the entire cable. Use only maximum cable length to cover the pool area. Place the remaining unused cable on the side of the pool. Adjust the entry location in the pool to correct cord tangling. Follow the procedure in <i>Cord Tangling</i> to avoid and correct tangled cord.
The cleaner is not cleaning effectively.	The brushes have become smooth or the "wear" indicator shows.	Remove cleaner from the pool. Replace the brushes following the procedure in <i>Replacing the Brushes</i> .
	Filter canister is full or dirty.	Remove cleaner from the pool. Clean the filter canister following the procedure in <i>Cleaning the Filter Canister</i> .
	Floating cable is excessively coiled or kinked.	Remove cleaner from the pool. Make sure the floating cable is spread out over the pool. Ensure the cable is not too tightly wrapped or coiled when storing. If the problem persists, lay the cable straight in the sun to relax it and remove kinks. Follow the procedure in <i>Cord Tangling</i> to avoid and correct tangled cord.

## Section 6. Conformity



EU

IEC 60335-2-41



87002641965

**Intertek**

Australian Cert. No. **SAA100894EA**

**SAA100540**

3145455L100001-01A

The manufacturer reserves the right to modify these specifications without notice. Although the robotic pool cleaners have been tested in a large variety of swimming pools, Zodiac cannot guarantee that this robotic pool cleaner will be compatible with all pools. Some pool features may affect performance. For further advice, please contact your Zodiac dealer.

---

# NOTES

**Zodiac Group Australia Pty Ltd.**  
PO Box 7238  
Wetherill Park NSW 2164, Australia  
1300 763 021 | [www.zodiac.com.au](http://www.zodiac.com.au)

ZODIAC® is a registered trademark of Zodiac International, S.A.S.U, used under license.  
All other trademarks used herein are the property of their respective owners.

©2015 Zodiac Pool Systems, Inc. H0446500 Rev A



**ZODIAC®**