



CKRS Series

In-line Circulation Pump

The Davies Pumps CKRS series are a robust in-line circulation pump with stainless casing. The pump motor is an efficient close coupled design with wet rotor for long and trouble free service life and 3 speeds for simple duty selection. Suitable for a wide range of applications such as solar water circulation, domestic central heating and air conditioning circulation. Union connection kit available for simple installation.

Features:

- Stainless Steel Casing
- 3 Speed operation
- Simple installation
- Quiet operation
- Maximum liquid temperature 110 degrees

CKR SERIES CIRCULATING PUMP

Part No.	Watts	Port to Port Dimension	Amps	Volts	Phase
220-CKRS130/45	62/53/43	130mm	0.27	230	1
220-CKRS130/55	73/59/46	130mm	0.32	230	1
220-CKRS180/45	62/53/43	180mm	0.27	230	1
220-CKRS180/55	73/59/46	180mm	0.32	230	1

HOT WATER SYSTEMS



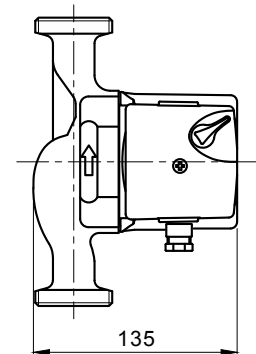
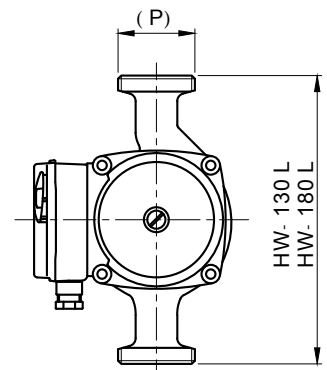
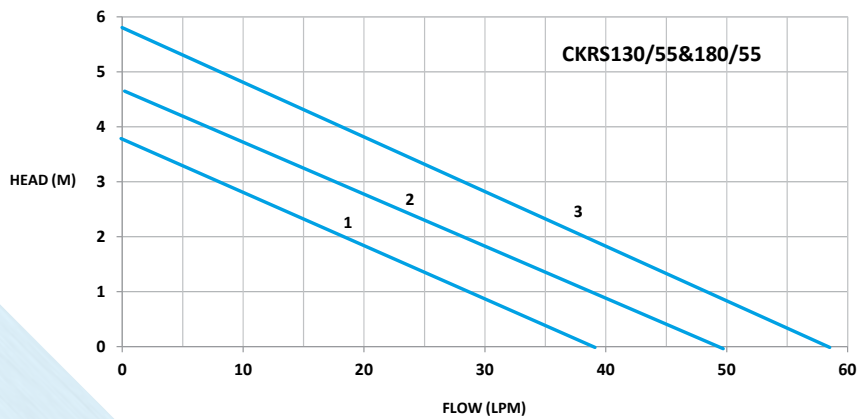
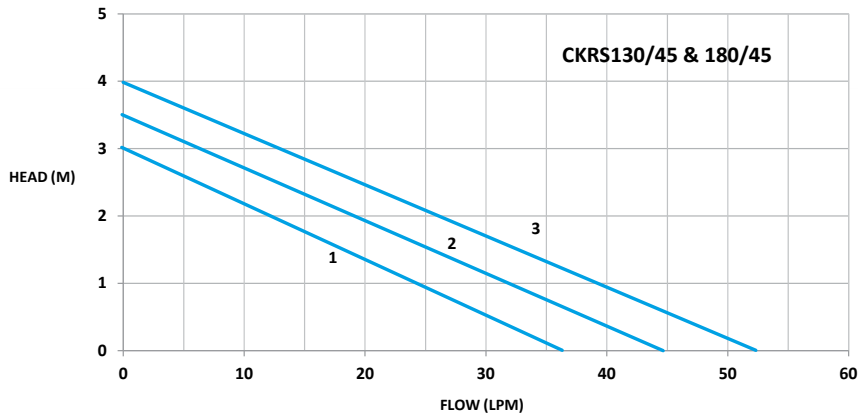
CENTRAL HEATING



SOLAR CIRCULATION



Performance:



DIMENSION AND SPECIFICATIONS					
Model	Max. Flow (m ³ /h)	Max. Head (M)	H	P	Kg
CKRS130/45	3.2	4	130	1 1/2"	2.3
CKRS130/55	3.5	6	180	1 1/2"	2.6
CKRS180/45	3.2	4	130	1 1/2"	2.3
CKRS180/55	3.5	6	180	1 1/2"	2.6
229-279-001	stainless steel connection Kit 1" - 1 1/2" 2sets				

For your nearest dealer please contact Argon Distributors: 0508 634 341