

# BRITESTREAM MKV

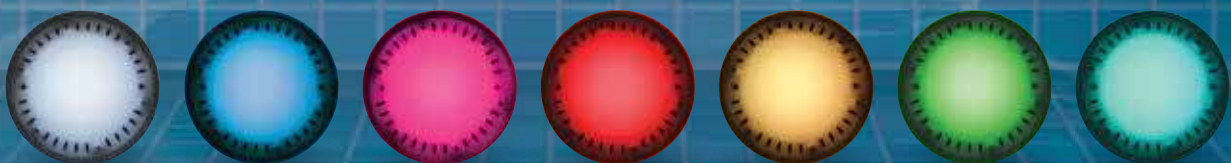
## MULTICOLOURED LED NICHE LIGHT



Waterco's new Britestream Niche LED has been designed to provide a low profile – not to mention an energy efficient lighting solution.

BriteStream Multicoloured LED light can produce myriad colours without the need for coloured lenses. In fact, there are nine different colour programs available.

- Energy saving – operates on 15% of the energy of a halogen
- New BriteLUX diffuser lens
- Long life LEDs
- Optional Stainless Steel Rim





### BriteLux Diffuser Lens

Unlike traditional LED lights that restrict the light output to individual hot spots, BriteLUX Diffuser Lens radiates light throughout the entire circumference of the lens.

In fact, the BriteLUX Diffuser Lens significantly boosts colour saturation and increases light transmission by 50 percent.

### Multicoloured LED Light

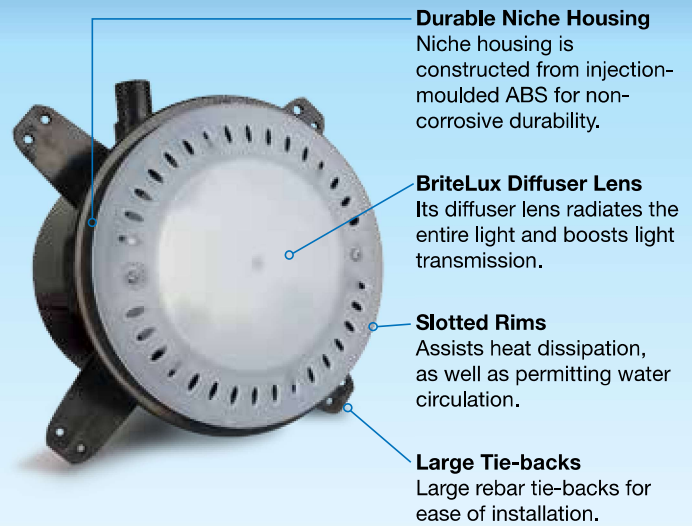
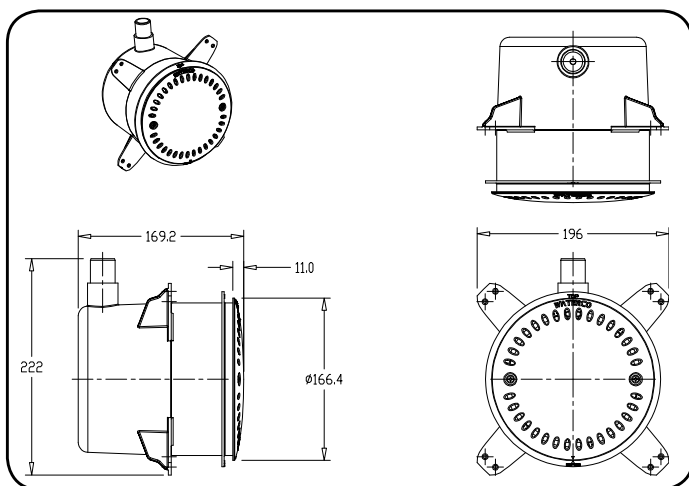
The BriteStream Multicoloured LED light can produce nine different colour programs.

WHITE		RED	
SLOW CHANGING COLOURS - 20 SECOND RAMPING		YELLOW - GREEN (GOLD)	
FAST CHANGING COLOURS - 5 SECOND RAMPING		GREEN	
BLUE		AQUA	
MAGENTA			

### Technical Specifications

Zonal Distribution	Power Usage	Input Voltage
0 to 180 degrees	15Watt	12V AC

### Dimensions

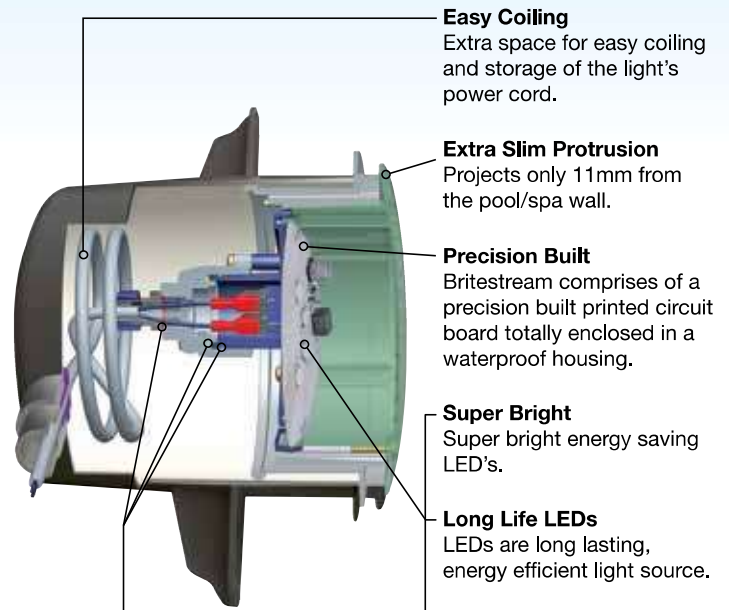


**Durable Niche Housing**  
Niche housing is constructed from injection-moulded ABS for non-corrosive durability.

**BriteLux Diffuser Lens**  
Its diffuser lens radiates the entire light and boosts light transmission.

**Slotted Rims**  
Assists heat dissipation, as well as permitting water circulation.

**Large Tie-backs**  
Large rebar tie-backs for ease of installation.



**Easy Coiling**  
Extra space for easy coiling and storage of the light's power cord.

**Extra Slim Protrusion**  
Projects only 11mm from the pool/spa wall.

**Precision Built**  
BriteStream comprises of a precision built printed circuit board totally enclosed in a waterproof housing.

**Super Bright**  
Super bright energy saving LED's.

**Long Life LEDs**  
LEDs are long lasting, energy efficient light source.

**Built-in Heat Management**  
The LED's heat output is automatically managed by its electronic circuitry.

**Triple seal connection**  
Three O'rings are in place to provide a triple seal eliminating the possibility of any leakages travelling up the power cord.



Optional Stainless Steel Rim

**Warranty**  
BriteStream LED lights are covered by a comprehensive 2 Year warranty.

**OFFICES - AUSTRALIA**  
NSW - Sydney (Head Office)  
Tel: +61 2 9898 8600  
QLD - Brisbane  
Tel: +61 7 3299 9900  
VIC/TAS - Melbourne  
Tel: +61 3 9764 1211  
WA - Perth  
Tel: +61 8 9273 1900  
SA/NT - Adelaide  
Tel: +61 8 8244 6000  
ACT Distribution  
Tel: +61 2 6280 6476

**OFFICES - OVERSEAS**  
Waterco (Europe) Limited  
Sittingbourne, Kent, UK  
Tel: +44 (0) 1795 521 733  
Waterco (USA) Inc  
Augusta, Georgia, USA  
Tel: +1 706 793 7291  
Waterco Canada  
Longueuil, Quebec, Canada  
Tel: +1 450 748 1421  
Waterco (NZ) Limited  
Auckland, New Zealand  
Tel: +64 9 525 7570

Waterco (C) Limited  
Guangzhou, China  
Tel: +86 20 3222 2180

Waterco (Far East) Sdn Bhd  
Selangor, Malaysia  
Tel: +60 3 6145 6000

PT Waterco Indonesia  
Jakarta, Indonesia  
Tel: +62 21 4585 1481

Waterco Singapore Int'l Pte Ltd  
Nehsons Building, Singapore  
Tel: +65 6344 2378

Waterco France  
Saint Priest, France.  
Tel: +33 4 72 79 33 30

### DISTRIBUTED BY:

**WATERCO**  
water, the liquid of life

