



This is a pump used for domestic hot water circulating. The Stainless steel housing makes it suitable for underfloor heating. It is maintenance free and is low in noise. Comes complete with 2" F x 1-1/4" F unions.

The pump is characterised by -

- Circulation body materials suitable for potable water
- 3 speed operation
- Flows to 134 l/min
- Heads to 8m

Liquid temperature: 2°C - 110°C

Materials: Pump body: Stainless Steel 304 SS

Impeller: Corrosion resistant composite PPO

Back Plate and Rotor Can: Stainless Steel 304 SS

Unions: 2" F x 1-1/4" F Unions Stainless Steel 304 SS

Installation: Maximum ambient temperature: 40°C

Maximum Operating Pressure: 10 bar

Port spacing: 180mm

Port size: 2" BSPM

(1-1/4" BSPF if used with supplied unions)

Electrical Data: 230V

Mains Frequency: 50Hz

Power consumption speeds: 1,2,3

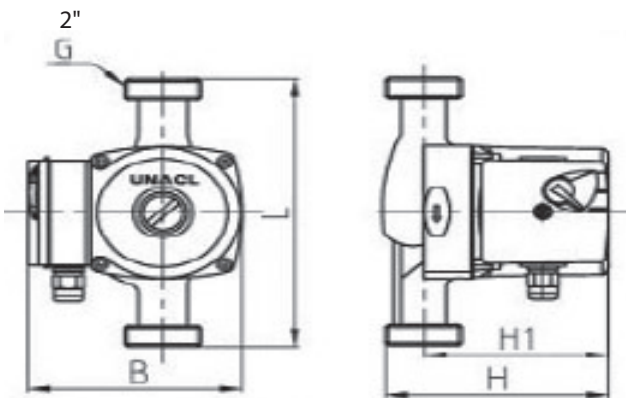
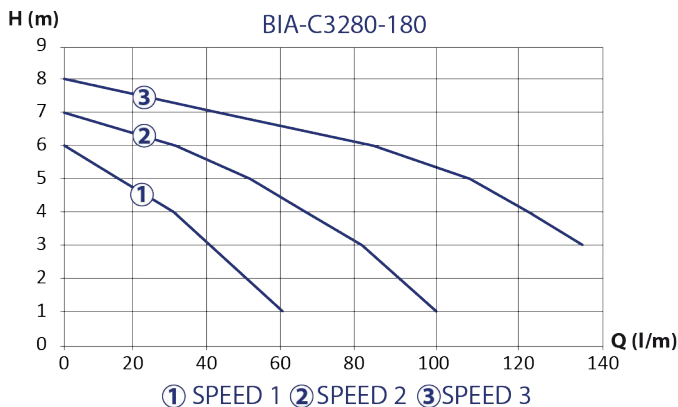
135W 190W 245W

Motor: Continuous

Motor type: Canned rotor

Ingress Protection: IP44

Power cable: 1m



Also available  
BIA-C2060-150  
BIA-C1509-160  
BIA-ICIRC150  
BIA-C3280-180

