

# ALPHAFLO

## POOL PUMPS

The Alphaflo pool pump is equipped with a newly designed impeller and diffuser that improves water flow and reduces head loss. The pump body has also been specially designed to improve water flow and pump operating noise by reducing water turbulence.

Plus a new heavy-duty pump bracket and insulation, which helps in absorbing motor vibration.

- Excellent Head & Flow capabilities.



## Efficient Impeller and Diffuser Design

The pump's impeller and diffuser design have been chosen carefully to help improve flow and efficiency by eliminating constrictions and obstacles maximises the hydraulic output of the pump while minimising turbulence. The pump's hydraulic efficiency also comes from the design of the pump body that has improved water flow gaining performance outcomes that can shorten run times and reduces energy consumption leading to lower operating costs.

## Engineered Durability

The pump body is manufactured utilising state of the art engineering plastic moulding with a single piece strainer pot and volute for extra strength.

A high grade 316 stainless steel mechanical seal is incorporated for extra protection against corrosion. e.g. from chlorinated water, ozone, iodine, Baquacil, bromine and salt water.



- Clear basket lid.
- Quick connect barrel unions for UPVC pipe.
- High grade carbon/graphite mechanical seal with 316 stainless steel spring assembly.
- High performance motor:
  - IP5 rating
  - Motor shaft 303 grade stainless steel.
  - Fan cooled.
  - Thermal overload protection
- Stable & insulated support base.
- Unique motor safeguarding design.
- Hydraulically efficient single-piece diffuser/ nozzle design impeller.
- Drain plugs.
- Strong single piece glass filled thermoplastic pump body.
- 2.05L Strainer basket - capture debris and protects the pump impeller.

## Unique Motor Safeguarding Design

The Alphaflo pump has a unique design that stops water from leaking into the motor through the drive shaft.

A mechanical seal may leak water if the pump is ever run dry or simply be worn out. If a leaky mechanical seal is not replaced promptly, water will travel up the shaft of the motor and ruin the motor in a very short period of time.

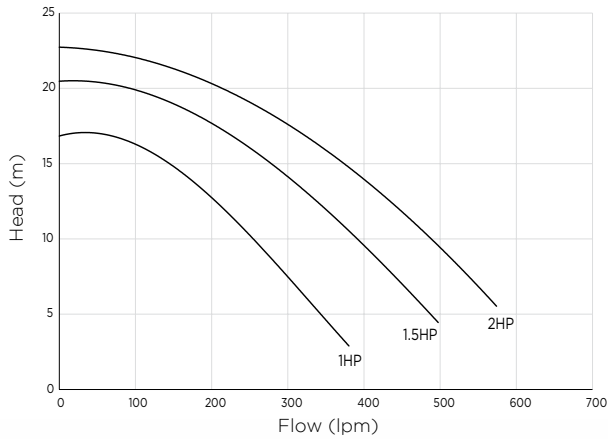
Waterco's unique Alphaflo design protects the pump motor's end shield from any water contact, by allowing any water leaks through worn-out mechanical seals by draining out of the pump.

## Alphaflo Pool Pumps

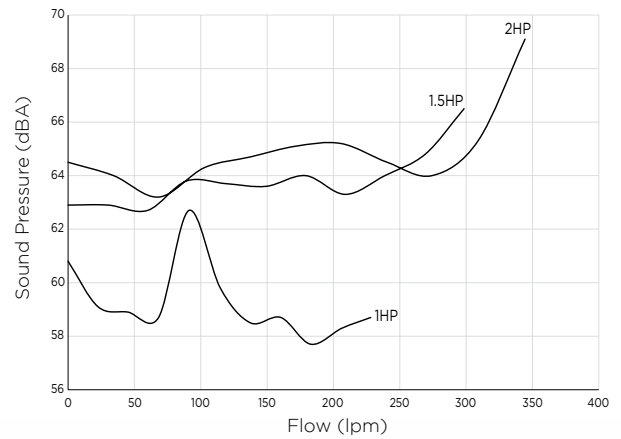
The New Alphaflo pool pump is equipped with a newly designed impeller and diffuser that improves water flow and reduces head loss. The pump body has also been specially designed to improve water flow and pump operating noise by reducing water turbulence. Plus a new heavy-duty pump bracket and insulation, which helps in absorbing motor vibration and operating noise.

- Excellent Head & Flow capabilities.

### Alphaflo Flow Curves



### Alphaflo Sound Levels



## Technical Specifications

Model	Flow Rate (lpm)		Nom. hp	kW	Amps	Phase	Total Length* (mm)	Motor Frame (mm)	Inlet/Outlet
	8m	10m							
Alphaflo 100	295	258	1	1.06	4.7	1	626	71	50mm ports x / 50mm unions
Alphaflo 150	430	390	1.5	1.61	6.9	1	645	80	50mm ports x / 50mm unions
Alphaflo 200	530	490	2	2.05	9.0	1	685	80	50mm ports x / 50mm unions

Phase	Volts	Cycle	RPM	Strainer Basket Size
1	220-240	50	2860	2.05L

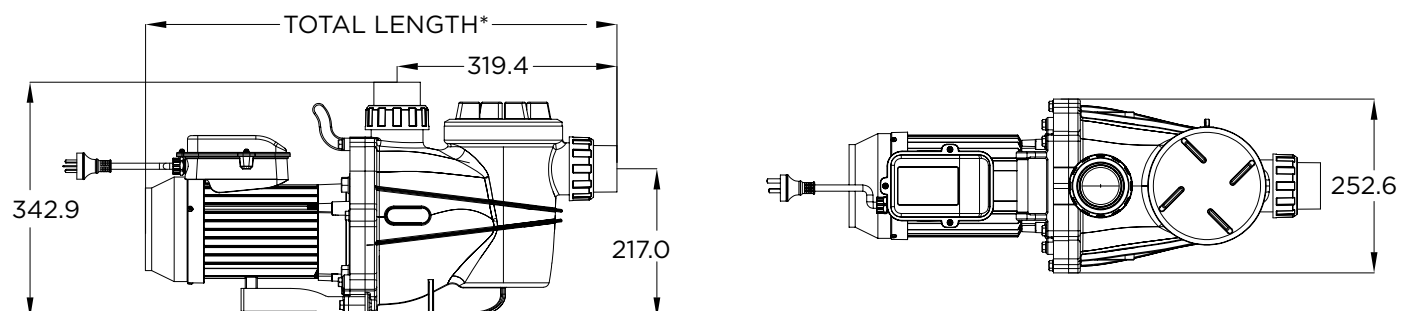
## Warranty

Pumps	3 years (conditional)*
Wet End	3 years
Motor, mechanical seal, hair and lint pot lid, o'ring, basket, impeller & diffuser	2 years
Commercial applications	1 year
Labour	1 year



\*Please refer to Waterco's warranty terms and conditions

## Dimension



# **WATERCO**

**water, the liquid of life**

Waterco pioneers reliable solutions for healthy, safe water environments, which are used in residential, commercial and industrial applications in over 40 countries.

Established in 1981, it has since become a global brand recognised for designing and manufacturing filtration and sanitisation innovations for the swimming pool, spa, aquaculture, and water purification sectors.



**OFFICES - AUSTRALIA**

**NSW - Sydney (Head Office)**  
Tel: +61 2 9898 8600

**QLD - Brisbane**  
Tel: +61 7 3299 9900

**VIC/TAS - Melbourne**  
Tel: +61 3 9764 1211

**WA - Perth**  
Tel: +61 8 9273 1900

**SA/NT - Adelaide**  
Tel: +61 8 8244 6000

**ACT Distribution**  
Tel: +61 2 6280 6476

**OFFICES - OVERSEAS**

**Waterco (Europe) Limited**  
Sittingbourne, Kent. UK  
Tel: +44 (0) 1795 521 733

**Waterco (USA) Inc**  
Augusta, Georgia, USA  
Tel: +1 706 793 7291

**Waterco Canada**  
Boucherville, Quebec, Canada  
Tel: +1 450 748 1421

**Waterco (NZ) Limited**  
Auckland, New Zealand  
Tel: +64 9 525 7570

**Waterco (C) Limited**  
Guangzhou, China  
Tel: +86 20 3222 2180

**Waterco (Far East) Sdn Bhd**  
Selangor, Malaysia  
Tel: +60 3 6145 6000

**PT Waterco Indonesia**  
Jakarta, Indonesia  
Tel: +62 21 4585 1481

**Waterco Singapore Intl Pte Ltd**  
MAPEX Building, Singapore  
Tel: +65 6344 2378

**Waterco Vietnam Company Limited**  
Ho Chi Minh City, Vietnam.  
Tel: +84 28 3622 7780

**DISTRIBUTED BY:**



In the interest of providing better quality and value we are constantly improving and updating our products. Consequently, pictures and information on our brochures may sometimes vary slightly from models available.