



**flolux**®  
stainless steel pool fittings

**flolux**<sup>®</sup>  
stainless steel pool fittings

**CHRIS ADAMS**

**E:** [chris@flolux.com](mailto:chris@flolux.com)

**M:** +61 407 639 557

[www.flolux.com](http://www.flolux.com)



PHOTO CREDIT - PORTRAIT POOLS

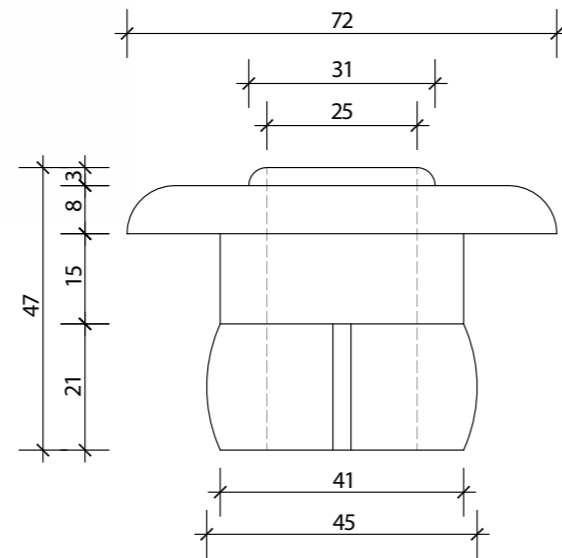
# flojet<sup>40mm</sup>



**PRODUCT:**  
FloJet 40mm (1.5") Eyeball Return Jet, Push Fit, Self Set

**PRODUCT CODE :**  
FLX001

**MATERIAL :**  
316L Stainless Steel Fascia  
PVC Backing



# flosuction<sup>40mm</sup>

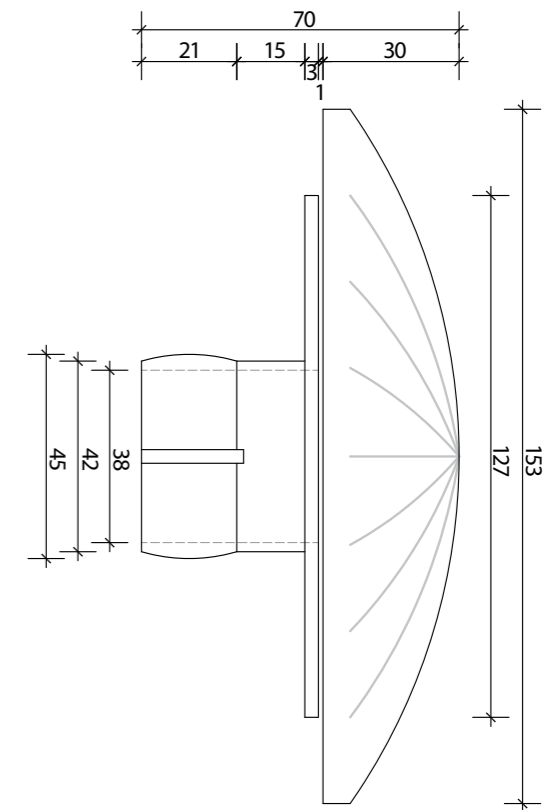


**PRODUCT:**  
FloSuction 40mm (1.5") Safety Suction,  
Push Fit, Self Set

**PRODUCT CODE :**  
FLX002

**MATERIAL :**  
316L Stainless Steel Fascia  
PVC Backing (AS1926.3.2010 Approved 250L/PM)  
Earthing required for this product  
Australian Standards Approved

Minimum two flosuction's per common suction line



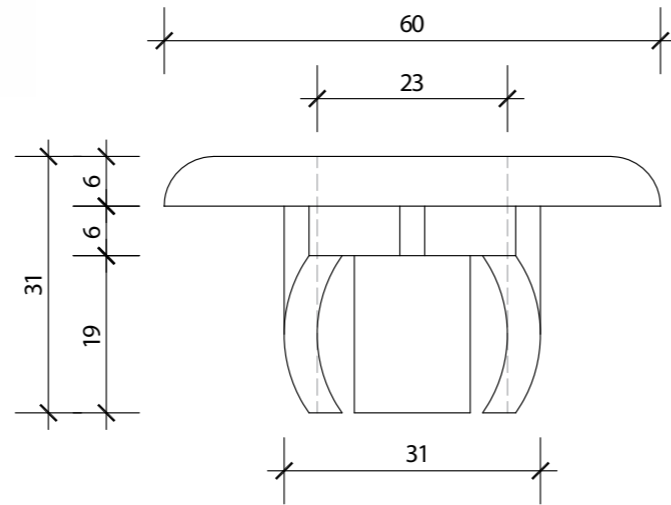
**flo**air



**PRODUCT:**  
FloAir 25mm (1") Air Diffuser,  
Push Fit, Self Set

**PRODUCT CODE :**  
FLX003

**MATERIAL :**  
316L Stainless Steel Fascia  
PVC Backing



**flo**floor <sup>FASCIA</sup>

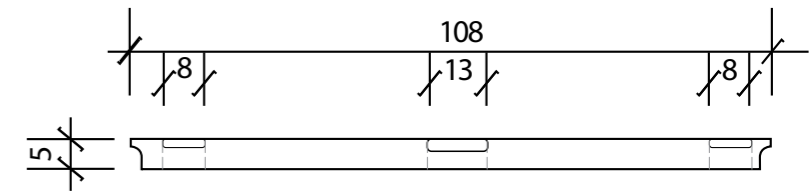


**PRODUCT:**  
FloFloor Fascia, Screw Fastened

**PRODUCT CODE :**  
FLX004

**MATERIAL :**  
316L Stainless Steel Fascia  
FloFloor fascia can be used with Waterco and Hayward  
PVC Floor returns

Earthing required for this product



**flo**floor

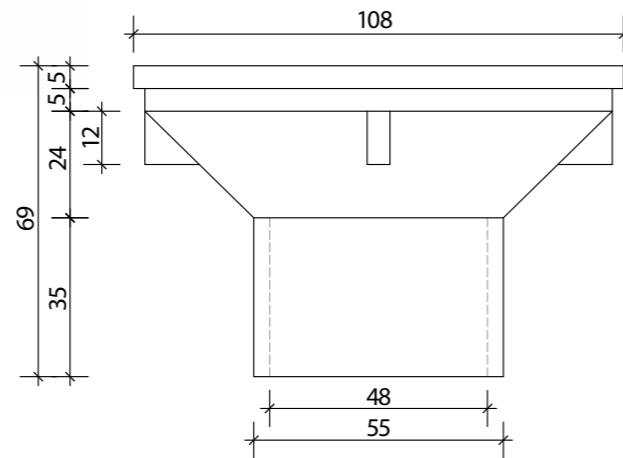


**PRODUCT:**  
FloFloor 40mm & 50mm (1.5"-2") Floor Inlet,  
Slip Fit-Glued

**PRODUCT CODE :**  
FLX005

**MATERIAL :**  
316L Stainless steel Fascia,  
PVC Backing

Earthing required for this product



**flojet** *THREADED*

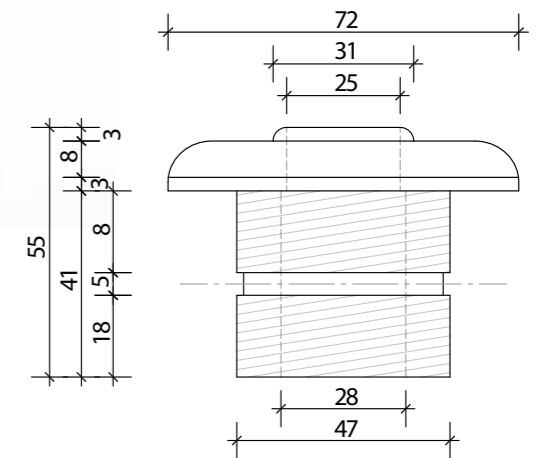


**PRODUCT:**  
FloJet Threaded 40mm (1.5") Eyeball Return Jet,  
Threaded Fit (Fibreglass Pool)

**PRODUCT CODE :**  
FLX006

**MATERIAL :**  
316L Stainless Steel Fascia  
PVC Backing

Threaded faucet included



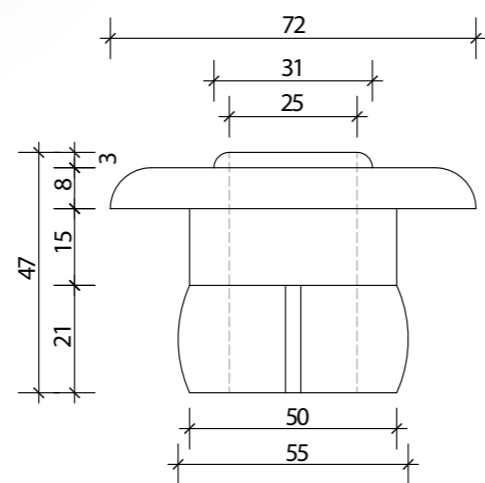
**flojet** 50mm



**PRODUCT:**  
FloJet 50mm (2") Eyeball  
Return Jet, Push Fit, Self Set

**PRODUCT CODE :**  
FLX007

**MATERIAL :**  
316L Stainless Steel Fascia  
PVC Backing



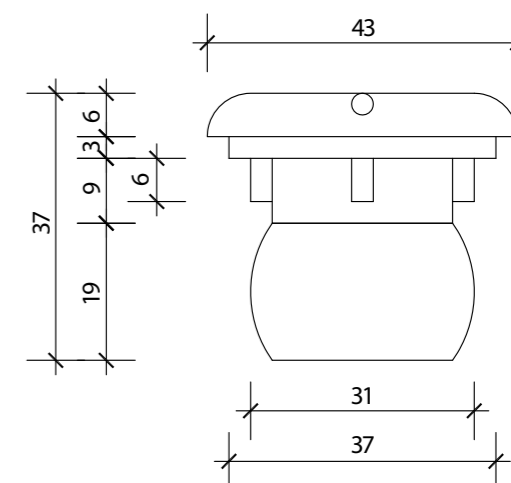
**floair** CONTROL

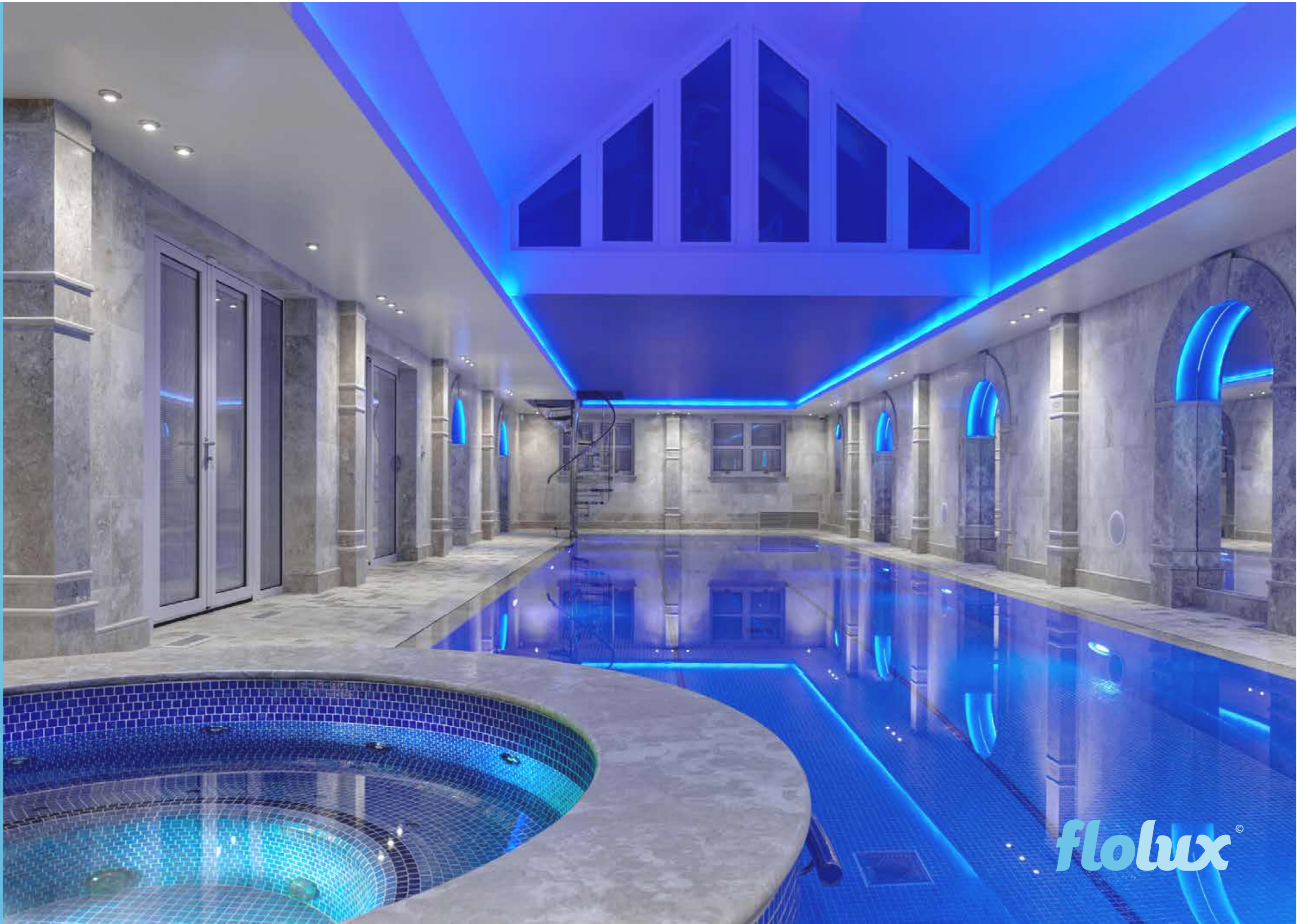


Air venturi, Push fit

**PRODUCT CODE :**  
FLX008

**MATERIAL :**  
316L Stainless Steel Fascia  
PVC Backing





**flolux**®

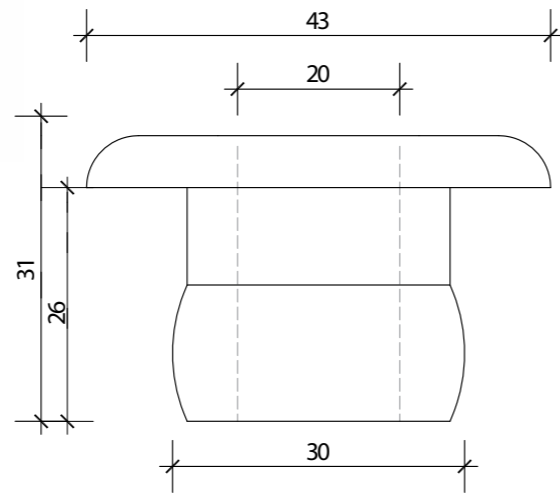
# flobubbler



Bubbler 25mm (1")  
Dress Ring, Water Spout, Push Fit

**PRODUCT CODE :**  
FLX009

**MATERIAL :**  
316L Stainless steel only



# flosuction<sup>50mm</sup>

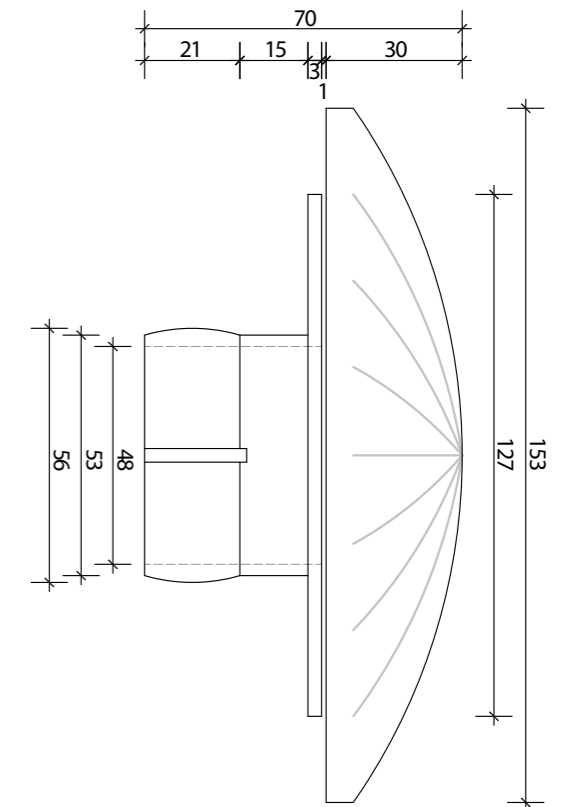


**PRODUCT:**  
FloSuction 50mm (2")  
Safety Suction, Push Fit

**PRODUCT CODE :**  
FLX010

**MATERIAL :**  
316L Stainless Steel Fascia  
PVC Backing (AS1926.3.2010 Approved 280L/PM)  
Earthing required for this product  
Australian Standards Approved

Minimum two flosuction's per common suction line





# flo suction THREADED

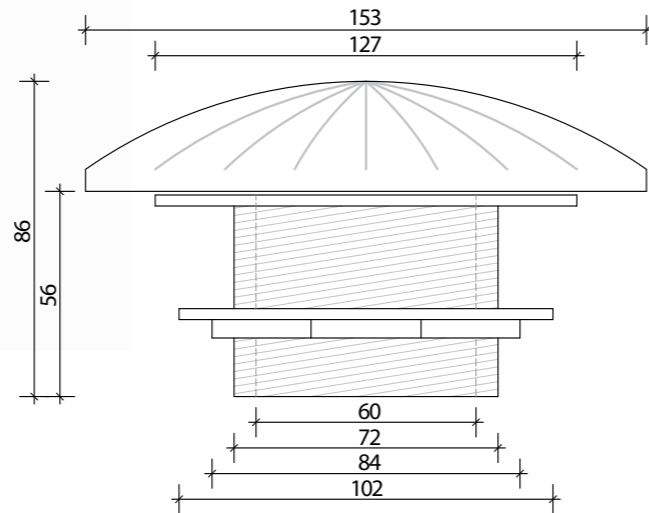


**PRODUCT:**  
FloSuction 50mm (2") Safety Suction for Fibreglass Pools, Slip Fit + Locking Nut-Glued

**PRODUCT CODE :**  
FLX011

**MATERIAL :**  
316L Stainless Steel Fascia  
PVC Backing (AS1926.3.2010 Approved 280L/PM)  
Earthing required for this product  
Australian Standards Approved

Minimum two flo suction's per common suction line



# flo skimmer FASCIA

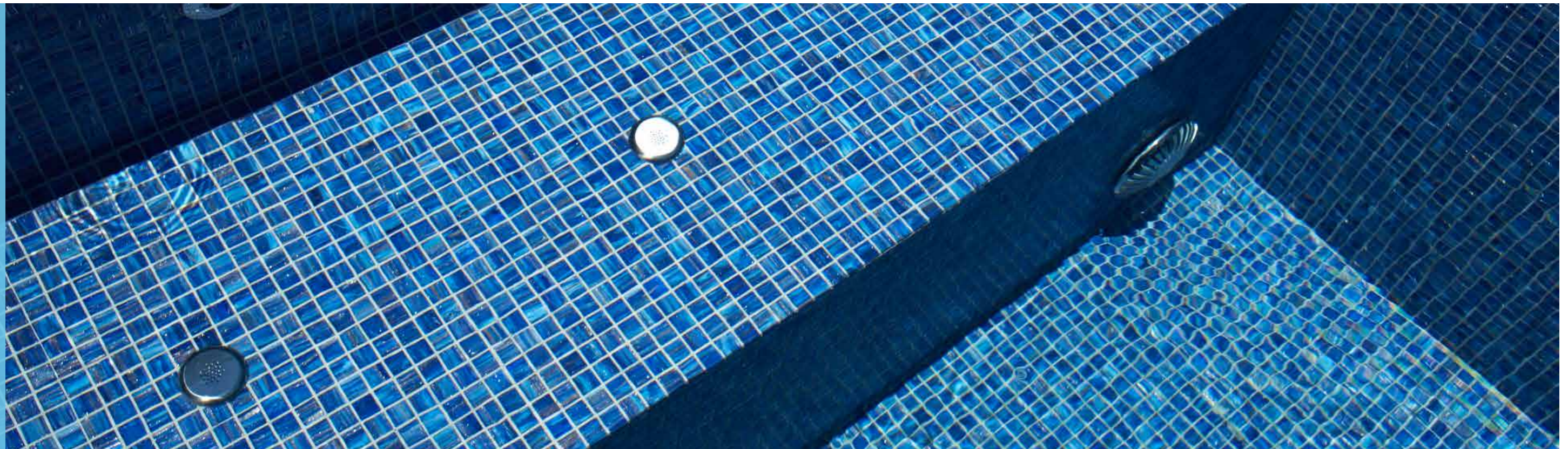
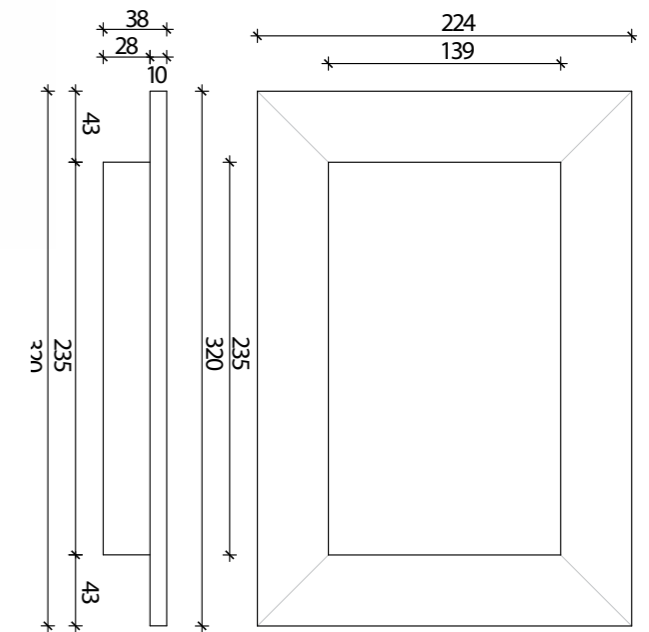


**PRODUCT:**  
FloSkimmer Skimmer Box Fascia  
Glued Fascia to fit Astral, Waterco and Zodiac Skimmers (ask for available sizes)

**PRODUCT CODE :**  
FLX012-ASTRAL  
FLX013-WATERCO + ZODIAC

**MATERIAL :**  
316L Stainless Steel Fascia Only

Earthing required for this product



# flo suction PVC 40mm

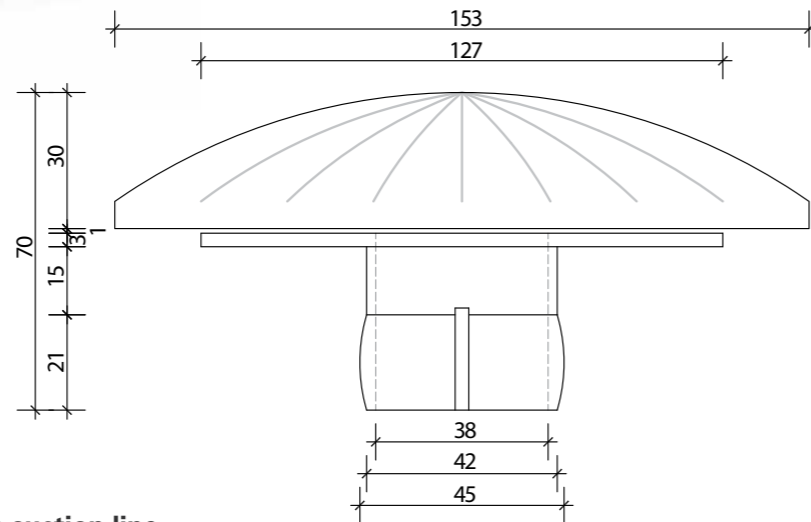


**PRODUCT:**  
FloSuction Plastic 40mm (1.5")  
Safety Suction, Push Fit

**PRODUCT CODE :**  
FLX014

**MATERIAL :**  
PVC Only  
(AS1926.3.2010 Approved 250L/PM)  
Australian Standards Approved

Minimum two flosuction's per common suction line



# flo suction PVC 50mm

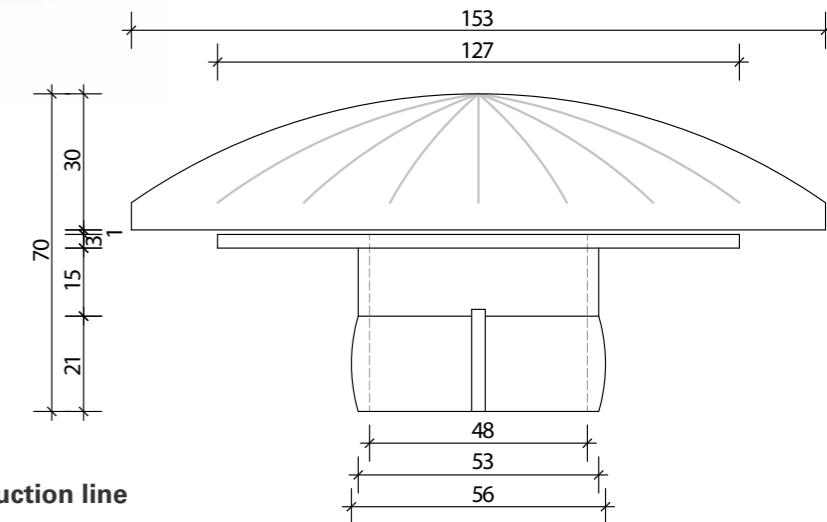


**PRODUCT:**  
FloSuction Plastic 50mm (2")  
Safety Suction, Push Fit

**PRODUCT CODE :**  
FLX015

**MATERIAL :**  
PVC (AS1926.3.2010 Approved 280L/PM)  
Australian Standards Approved

Minimum two flosuction's per common suction line



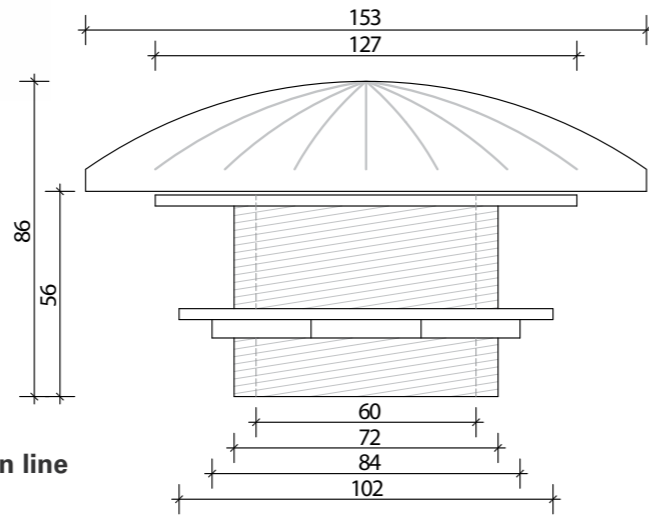


**PRODUCT:**  
FloSuction Plastic 50mm (2")  
Fiberlass Pools

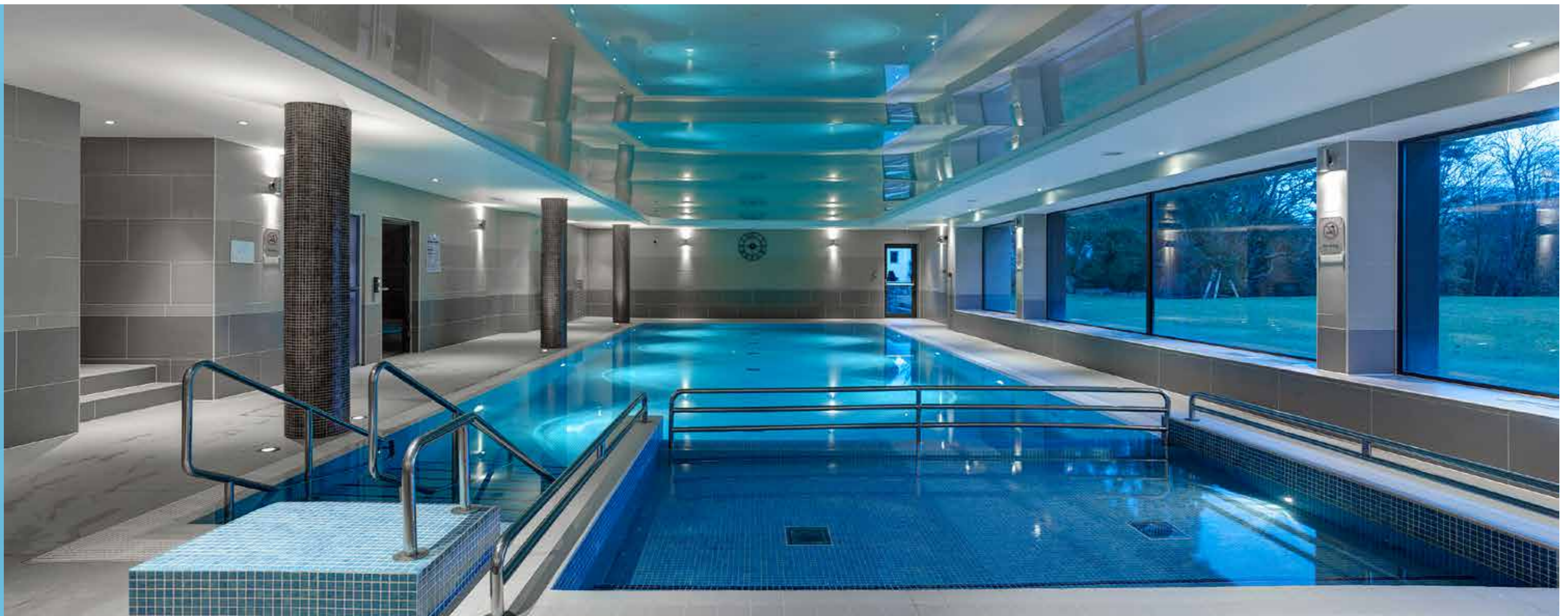
**PRODUCT CODE :**  
FLX016

**MATERIAL :**  
PVC Only  
Australian Standards Approved

Minimum two flosuction's per common suction line



Incomparable finishing for luxury pools and spas.



**flolux**<sup>®</sup>  
stainless steel pool fittings

**CHRIS ADAMS**

**E:** chris@flolux.com

**M:** +61 407 639 557

**www.flolux.com**

