

# PS2-600 CS-17-1

## Solar Surface Pump System

### System Overview

Head	max. 12 m
Flow rate	max. 18 m <sup>3</sup> /h

### Technical Data

#### Controller PS2-600

- Controlling and monitoring
- Control inputs for dry running protection, remote control etc.
- Protected against reverse polarity, overload and overtemperature
- Integrated MPPT (Maximum Power Point Tracking)
- Battery operation: Integrated low voltage disconnect

Power	max. 0.70 kW
Input voltage	max. 150 V
Optimum V <sub>mp</sub> **	> 68 V
Motor current	max. 13 A
Efficiency	max. 98 %
Ambient temp.	-40...50 °C
Enclosure class	IP68

#### Motor ECDRIVE 600 CS-17

- Maintenance-free brushless DC motor
- Premium materials, stainless steel: AL/AISI 304
- No electronics in the motor

Rated power	0.70 kW
Efficiency	max. 92 %
Motor speed	900...3,300 rpm
Insulation class	F
Enclosure class	IPX4

#### Pump End PE CS-17-1

- Non-return valve
- Premium materials: PP
- Centrifugal pump

Efficiency	max. 51 %
------------	-----------



#### Pump Unit PU600 CS-17-1 (Motor, Pump End)

Water temperature	max. 60 °C
Suction head / Positive inlet head	max. 3 m

### Standards



2006/42/EC, 2004/108/EC, 2006/95/EC

IEC/EN 61702:1995, IEC/EN 62253 Ed.1

The logos shown reflect the approvals that have been granted for this product family. Products are ordered and supplied with the approvals specific to the market requirements.

\*\*V<sub>mp</sub>: MPP-voltage under Standard Test Conditions (STC): 1000 W/m<sup>2</sup> solar irradiance, 25 °C cell temperature

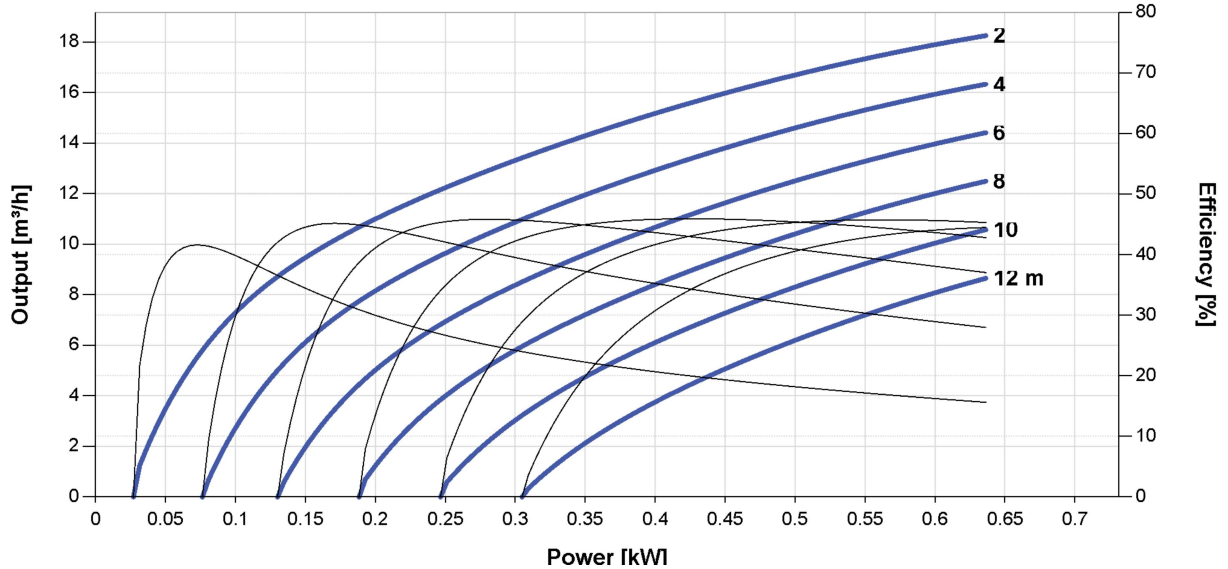


## PS2-600 CS-17-1

Solar Surface Pump System

### Pump Chart

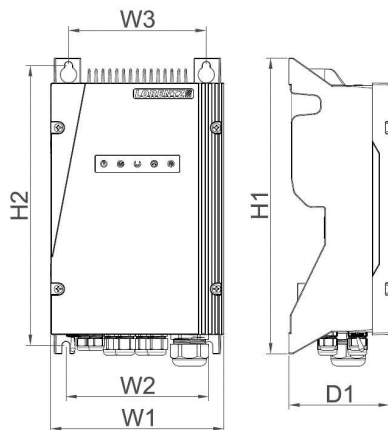
Vmp\* > 68 V



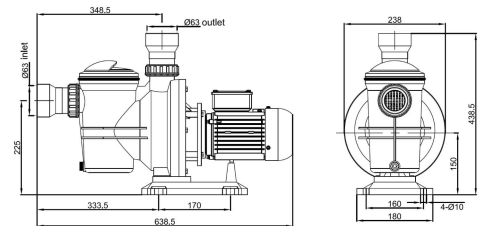
### Dimensions and Weights

#### Controller

H1 = 352 mm  
H2 = 333 mm  
W1 = 207 mm  
W2 = 170 mm  
W3 = 164 mm  
D1 = 124 mm



#### Pump Unit [mm]



	Net weight
Controller	5.6 kg
Pump Unit	6.9 kg
Motor	5.2 kg
Pump End	1.7 kg

\*Vmp: MPP-voltage under Standard Test Conditions (STC): 1000 W/m<sup>2</sup> solar irradiance, 25 °C cell temperature

