



CKD SERIES

304 Stainless Steel Open Impeller Pumps

The CKD series open impeller pumps are particularly suitable for high flow/low pressure applications, transferring dirty water containing solids up to 15mm or mixing fertilizers.

- Circulation (-20 to +110°C)
- Dirty/Grey water emptying or transfer
- Mixing and transferring liquid fertilizers, calf milk and other liquids

Features

- 304 Stainless steel impeller, pump body & Seal plate
- Long Life Silicon carbide/carbon seal
- EPDM Elastomers (Viton option available)



CKD SERIES

DAVIES CKD SERIES						
Model	Hp	Hw (P2)	Volts	Phase	Amps	Cap Mfd
CKD-050M	0.5	0.37	230	1	2.4	13
CKD-100M	1.0	0.75	230	1	4.45	20
CKD-150M	1.5	1.1	230	1	6.45	30
CKD-150T	1.5	1.1	400	3	2.48	-
CKD-200M	2.0	1.5	230	1	8.8	40
CKD-200T	2.0	1.5	400	3	3.25	-
CKD-300T	3.0	2.2	400	3	4.82	-
CKD-400T	4.0	3.0	400	3	6.3	-

Typical Applications:

- Circulation
- Industrial washing and rinsing
- Transfer

Pump Type:

Non self-priming open impeller centrifugal pump for pumping clean or dirty, thin, non-explosive, non-flammable liquid.

Motor Type:

- Totally enclosed, fan cooled.
- Rated speed: 2850 RPM - 50Hz
- Single phase voltage range: 220-240V (PSC Type motor)
- Three phase voltage range: 220-240/380-415
- Insulation: Class F
- Protection: IP55
- Single phase versions fitted with Auto reset thermal overload
- Three phase version require user supplied overload to be fitted in installation

Operation limitations:

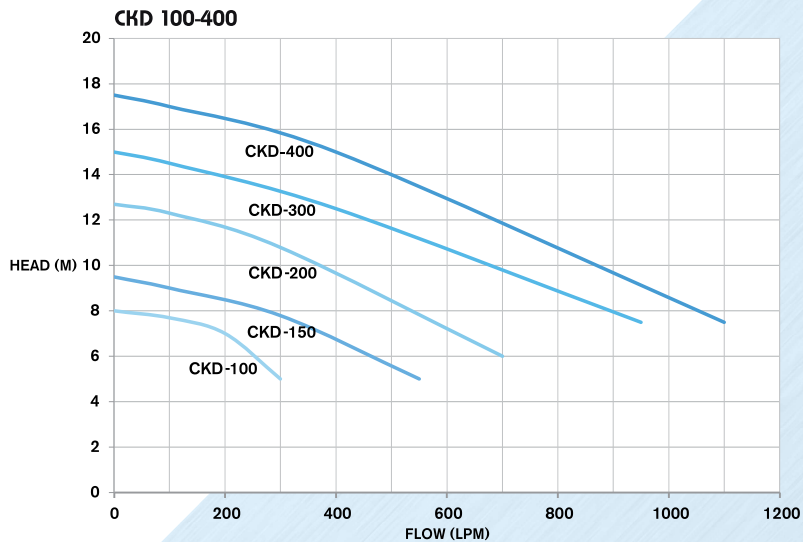
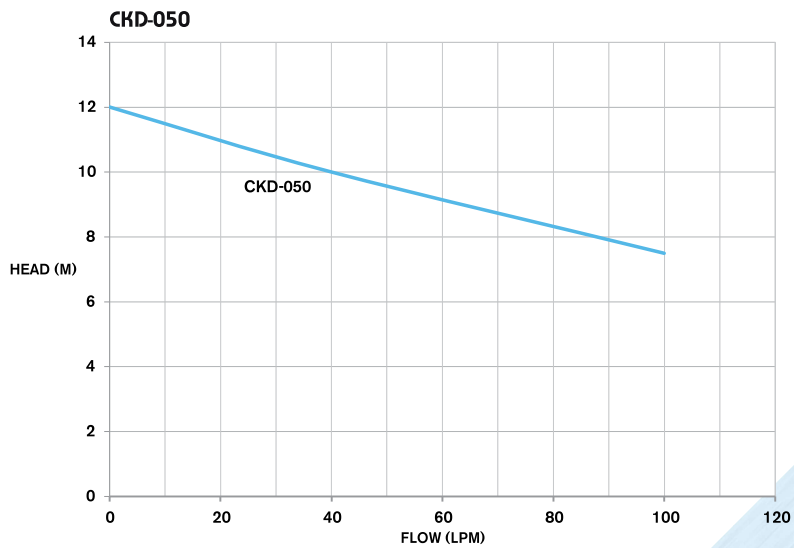
- Maximum ambient temperature: +40°C
- Liquid temperature range: -20°C to + 110°C
- Maximum operating pressure: 8.0bar/115PSI

CONSTRUCTION MATERIALS

Description	Material
Pump Casing	304 Stainless steel
Impeller	304 Stainless steel
Shaft	304 Stainless steel
Mechanical seal	Silicon carbide/Carbon
O-Rings/Elastomers	EPDM
Motor Mount bracket/Casing	Aluminium



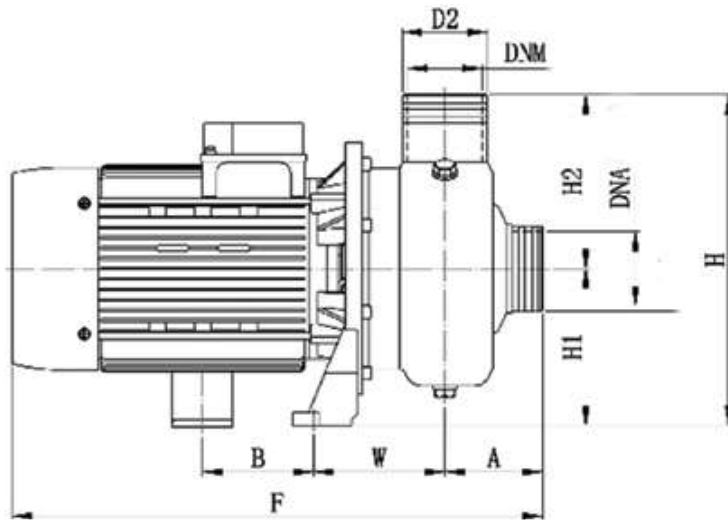
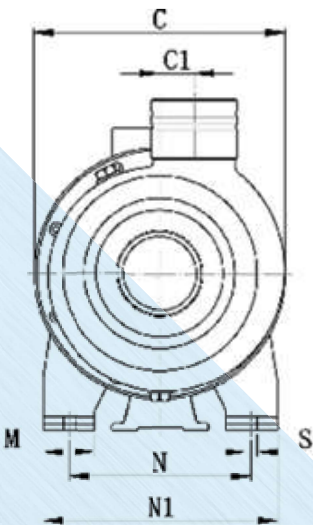
PERFORMANCE DATA													
Model	m ³ /h	0	2.4	3.6	6	12	18	24	33	42	48	57	66
	L/M	0	40	60	100	200	300	400	550	700	800	950	1100
CKD-050	H(m)		10	9.5	7.5								
CKD-100					8	7	5						
CKD-150					9.5	10	9						
CKD-200					12.5	12	11	10	8.0	6.5			
CKD-300					15	14	13.5	12.5	11.0	10.0	9.0	7.5	
CKD-400					17.5	16.5	16	15	14	12.5	11.5	9.5	7.5





DAVIES CKD SERIES DIMENSIONS

Model	A	B	C	C1	F	H	H1	H2	N	S	W	DNA	DNM	KG
CKD-050	52	85	170	-	295	190	88	103	72	7	82	1 1/4"	1"	7.0
CKD-100	74	90	170	20	358	225	108	118	80	9	84	1 1/2"	1 1/2"	10
CKD-150	82	74	170	20	400	250	120	133	100	9	100	2"	2"	14
CKD-200	82	74	193	20	400	250	120	133	100	9	100	2"	2"	16
CKD-300	82	74	193	20	435	250	120	133	100	9	100	2 1/2"	2"	19
CKD-400	82	74	193	20	435	250	120	133	100	9	100	2 1/2"	2"	22



For your nearest dealer please contact Argon Distributors: 0508 634 341